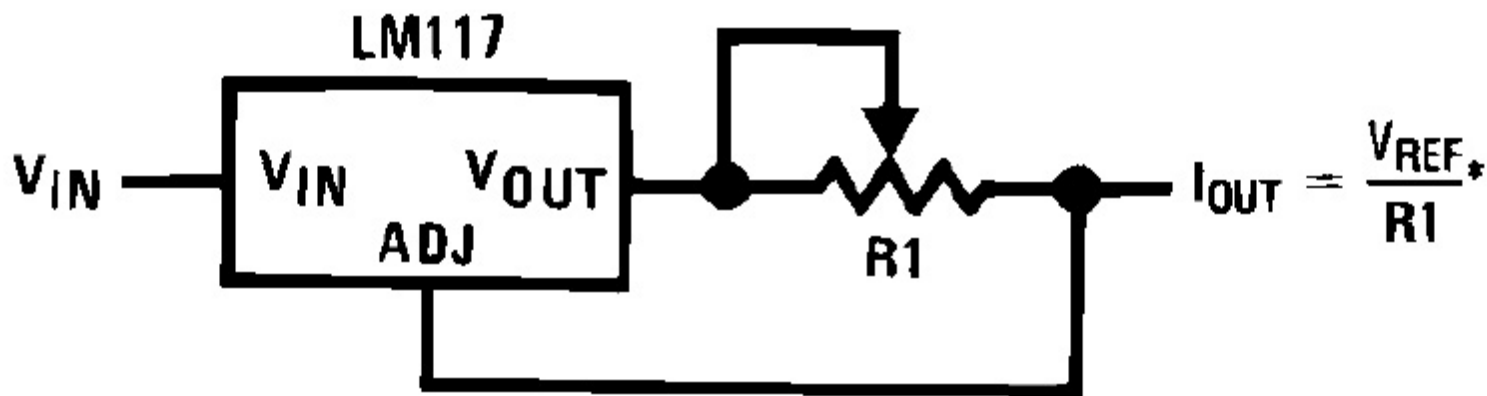


Precision Current Limiter



$$* 0.8\Omega \leq R1 \leq 120\Omega$$

$$V_{REF} = 1.25V$$