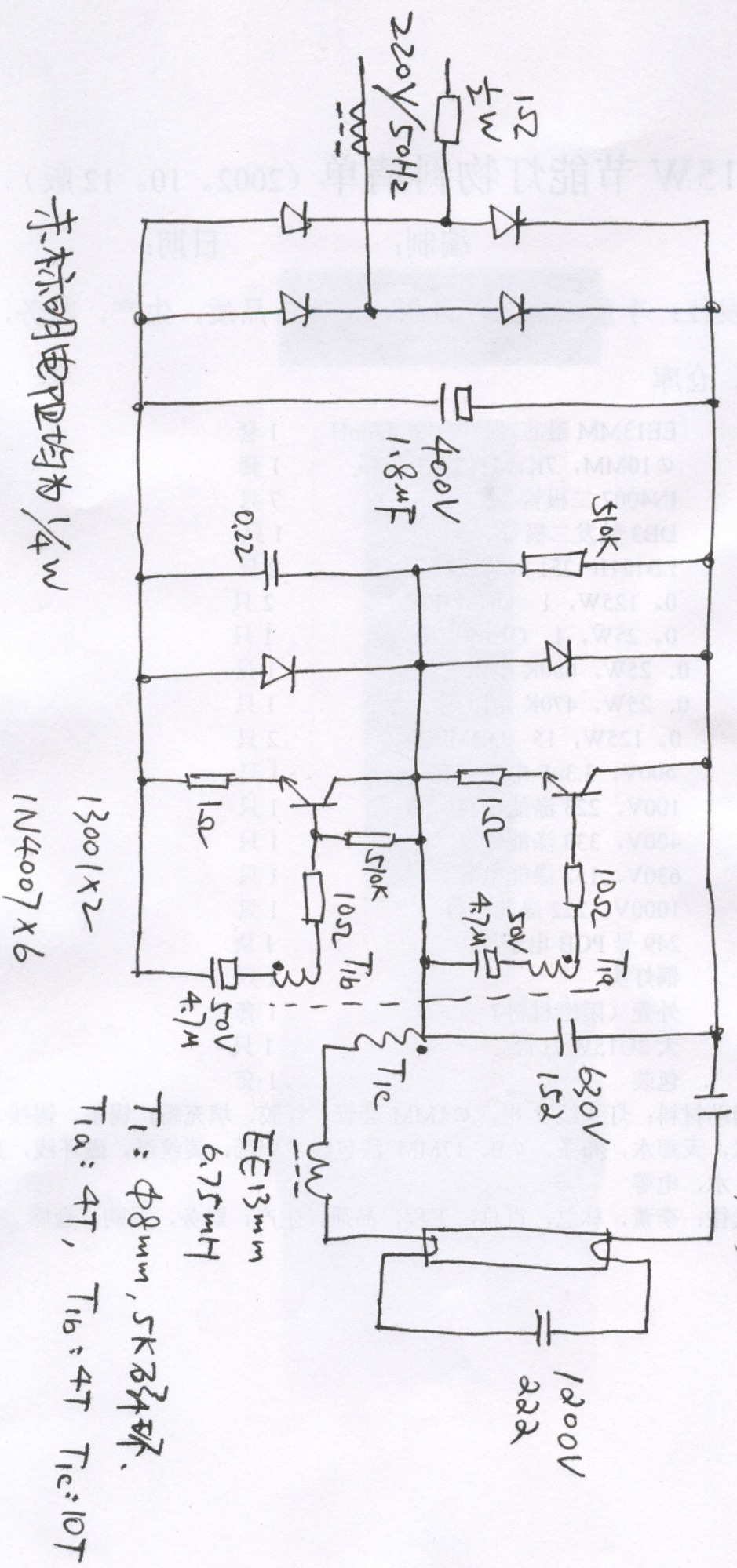


Philips 牌 3U T3, 220V 8W 节能灯测试给电路图



未标明电阻均为 1/4W

T₁: Φ8mm, SK34环.
 T_{1a}: 4T, T_{1b}: 4T T_{1c}: 10T