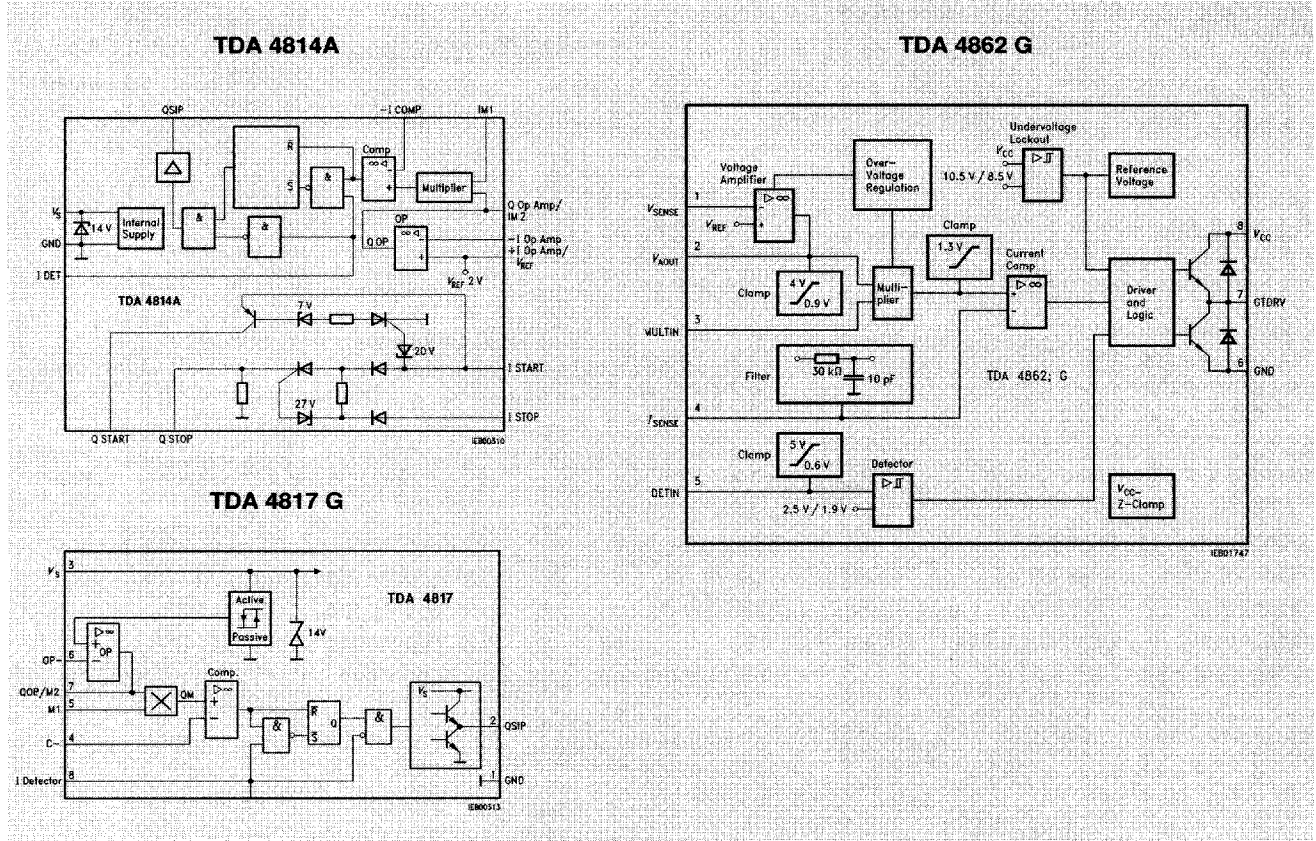


Leistungsfaktor-ICs

Power Factor Correction ICs



Typ Type	V_S max V	I_S max mA	Turn on V_{hyH} V	T_j °C	V_{ret} V	Bestellnummer Ordering Code	Gehäuse Package	Bild Fig.
----------	-------------	--------------	---------------------	----------	-------------	-----------------------------	-----------------	-----------

PFC ICs

TDA 4814 A	$V_Z/17$	15	10.4	-25 ... 125	$2 \pm 5\%$	Q67000-A8136	P-DIP-14	13
TDA 4817	$V_Z/17$	15	10.4	-25 ... 125	$2 \pm 2\%$	Q67000-A8298	P-DIP-8-1	11
TDA 4817 G	$V_Z/17$	15	10.4	-25 ... 125	$2 \pm 2\%$	Q67000-A8299	P-DSO-8-1	3
TDA 4862	$V_Z/19$	8	11	-40 ... 150	$2.5 \pm 1.4\%$	Q67000-A8368	P-DIP-8-1	11
TDA 4862 G	$V_Z/19$	8	11	-40 ... 150	$2.5 \pm 1.4\%$	Q67000-A8369	P-DSO-8-1	3

Hinweis/Remark: Ordering Code P-DSO Tape and Reel Q67006-Axxxx / Bestellnummer P-DSO Tape and Reel Q67006-Axxxx