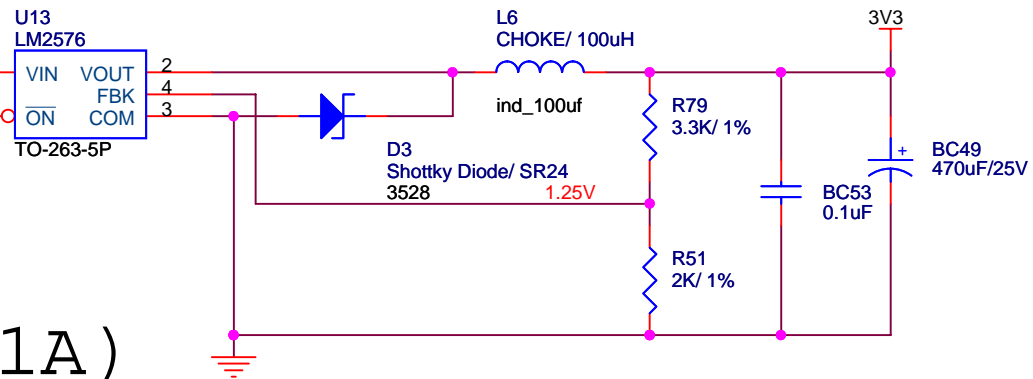
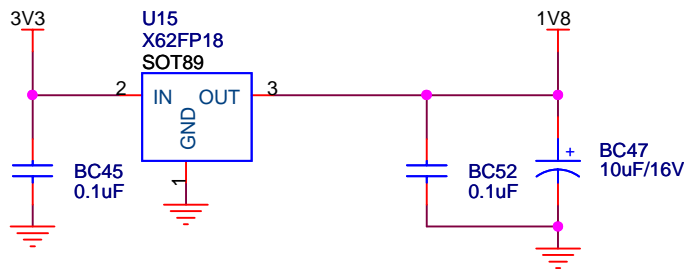


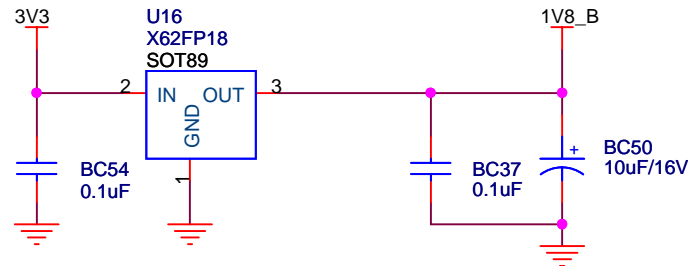
DC-5V INPUT (1A)



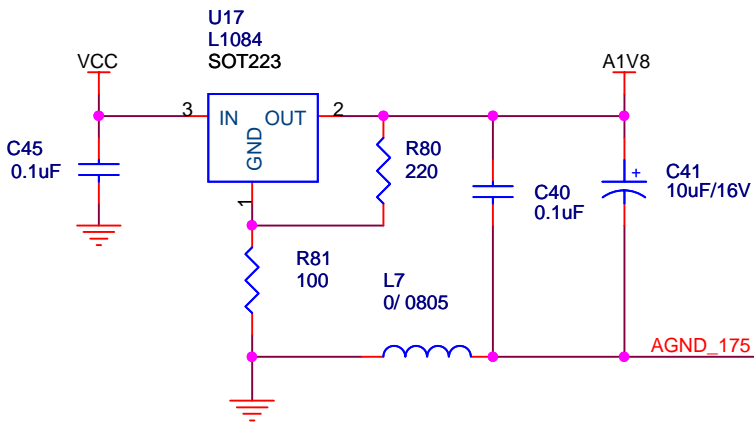
5V->3V3 (1A)



3V3-> 1V8 (0.3A)



5V-> 1V8 / 0.3A  
(175C\_CORE)



5V-> 1V8 / 0.8A  
(175C\_VDD)

Title		
<Title>		
Size	Document Number	Rev
A	<Doc>	<RevCode>
Date:	Thursday, April 29, 2004	Sheet 1 of 1