

Switched Mode Controller for DC Motor Drive

FEATURES

- Single or Dual Supply Operation
- $\pm 2.5V$ to $\pm 20V$ Input Supply Range
- $\pm 5\%$ Initial Oscillator Accuracy; $\pm 10\%$ Over Temperature
- Pulse-by-Pulse Current Limiting
- Under-Voltage Lockout
- Shutdown Input with Temperature Compensated 2.5V Threshold
- Uncommitted PWM Comparators for Design Flexibility
- Dual 100mA, Source/Sink Output Drivers

DESCRIPTION

The UC1637 is a pulse width modulator circuit intended to be used for a variety of PWM motor drive and amplifier applications requiring either uni-directional or bi-directional drive circuits. When used to replace conventional drivers, this circuit can increase efficiency and reduce component costs for many applications. All necessary circuitry is included to generate an analog error signal and modulate two bi-directional pulse train outputs in proportion to the error signal magnitude and polarity.

This monolithic device contains a sawtooth oscillator, error amplifier, and two PWM comparators with $\pm 100mA$ output stages as standard features. Protection circuitry includes under-voltage lockout, pulse-by-pulse current limiting, and a shutdown port with a 2.5V temperature compensated threshold.

The UC1637 is characterized for operation over the full military temperature range of $-55^{\circ}C$ to $+125^{\circ}C$, while the UC2637 and UC3637 are characterized for $-25^{\circ}C$ to $+85^{\circ}C$ and $0^{\circ}C$ to $+70^{\circ}C$, respectively.

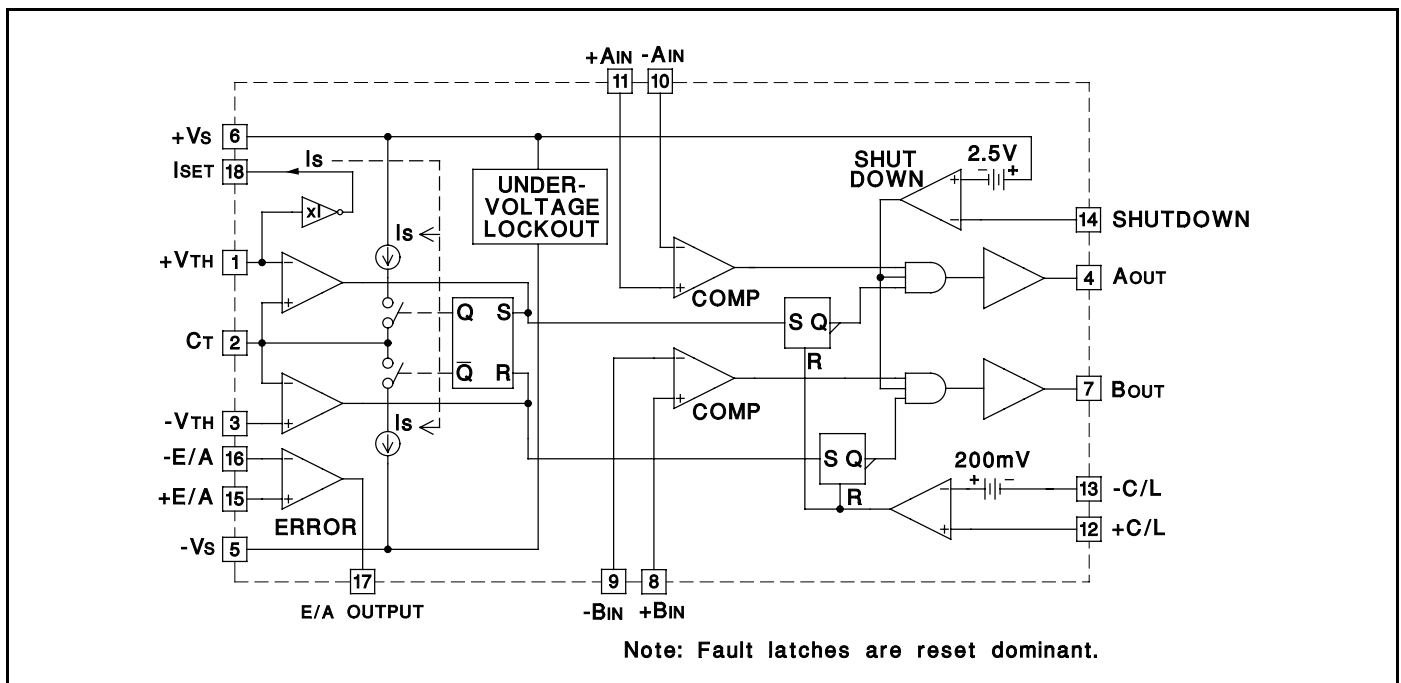
ABSOLUTE MAXIMUM RATINGS (Note 1)

Supply Voltage ($\pm V_s$)	$\pm 20V$
Output Current, Source/Sink (Pins 4, 7)	500mA
Analog Inputs (Pins 1, 2, 3, 8, 9, 10, 11, 12, 13, 14, 15, 16)	$\pm V_s$
Error Amplifier Output Current (Pin 17)	$\pm 20mA$
Oscillator Charging Current (Pin 18)	-2mA
Power Dissipation at $T_A = 25^{\circ}C$ (Note 2)	1000mW
Power Dissipation at $T_C = 25^{\circ}C$ (Note 2)	2000mW
Storage Temperature Range	$-65^{\circ}C$ to $+150^{\circ}C$
Lead Temperature (Soldering, 10 Seconds)	$+300^{\circ}C$

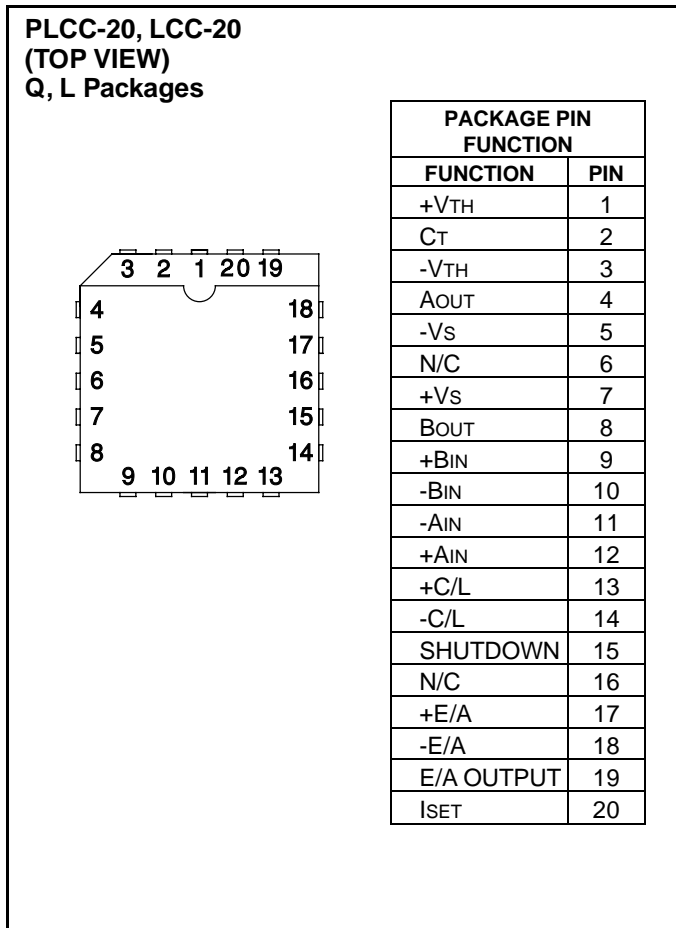
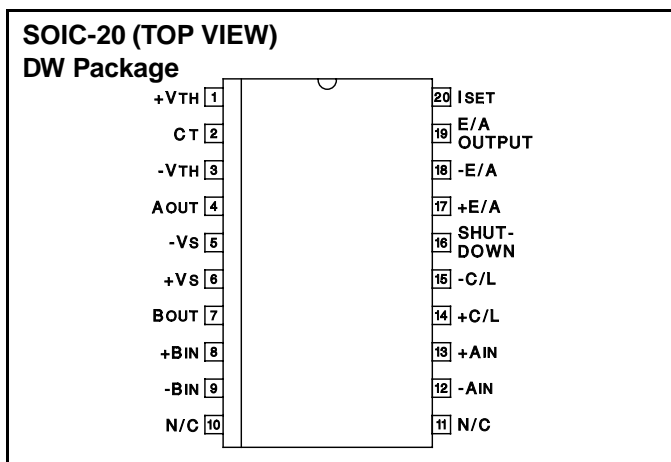
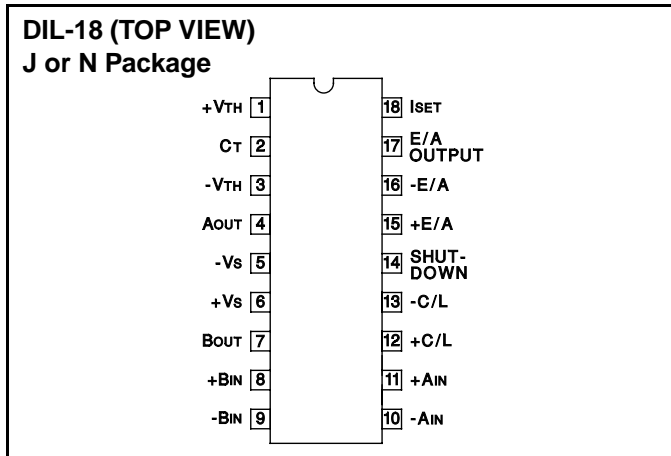
Note 1: Currents are positive into, negative out of the specified terminal.

Note 2: Consult Packaging Section of Databook for thermal limitations and considerations of package.

BLOCK DIAGRAM



CONNECTION DIAGRAM



ELECTRICAL CHARACTERISTICS: Unless otherwise stated, these specifications apply for $T_A = -55^{\circ}\text{C}$ to $+125^{\circ}\text{C}$ for the UC1637; -25°C to $+85^{\circ}\text{C}$ for the UC2637; and 0°C to $+70^{\circ}\text{C}$ for the UC3637; $+V_S = +15\text{V}$, $-V_S = -15\text{V}$, $+V_{TH} = 5\text{V}$, $-V_{TH} = -5\text{V}$, $R_T = 16.7\text{k}\Omega$, $C_T = 1500\text{pF}$, $T_A = T_J$.

PARAMETER	TEST CONDITIONS	UC1637/UC2637			UC3637			UNITS
		MIN	TYP	MAX	MIN	TYP	MAX	
Oscillator								
Initial Accuracy	$T_J = 25^{\circ}\text{C}$ (Note 6)	9.4	10	10.6	9	10	11	kHz
Voltage Stability	$V_S = \pm 5\text{V}$ to $\pm 20\text{V}$, $V_{PIN 1} = 3\text{V}$, $V_{PIN 3} = -3\text{V}$		5	7		5	7	%
Temperature Stability	Over Operating Range (Note 3)		0.5	2		0.5	2	%
+VTH Input Bias Current	$V_{PIN 2} = 6\text{V}$	-10	0.1	10	-10	0.1	10	μA
-VTH Input Bias Current	$V_{PIN 2} = 0\text{V}$	-10	-0.5		-10	-0.5		μA
+VTH, -VTH Input Range		$+V_S - 2$		$-V_S + 2$	$+V_S - 2$		$-V_S + 2$	V
Error Amplifier								
Input Offset Voltage	$V_{CM} = 0\text{V}$		1.5	5		1.5	10	mV
Input Bias Current	$V_{CM} = 0\text{V}$		0.5	5		0.5	5	μA
Input Offset Current	$V_{CM} = 0\text{V}$		0.1	1		0.1	1	μA
Common Mode Range	$V_S = \pm 2.5$ to 20V	$-V_S + 2$		$+V_S$	$-V_S + 2$		$+V_S$	V
Open Loop Voltage Gain	$R_L = 10\text{k}$	75	100		80	100		dB
Slew Rate			15			15		$\text{V}/\mu\text{s}$
Unity Gain Bandwidth			2			2		MHz
CMRR	Over Common Mode Range	75	100		75	100		dB
PSRR	$V_S = \pm 2.5$ to $\pm 20\text{V}$	75	110		75	110		dB

ELECTRICAL CHARACTERISTICS: Unless otherwise stated, these specifications apply for $T_A = -55^{\circ}\text{C}$ to $+125^{\circ}\text{C}$ for the UC1637; -25°C to $+85^{\circ}\text{C}$ for the UC2637; and 0°C to $+70^{\circ}\text{C}$ for the UC3637: $V_S = +15\text{V}$, $-V_S = -15\text{V}$, $+V_{TH} = 5\text{V}$, $-V_{TH} = -5\text{V}$, $R_T = 16.7\text{k}\Omega$, $C_T = 1500\text{pF}$, $T_A = T_J$.

PARAMETERS	TEST CONDITIONS	UC1637/UC2637			UC3637			UNITS
		MIN	TYP	MAX	MIN	TYP	MAX	
Error Amplifier (Continued)								
Output Sink Current	$V_{PIN\ 17} = 0\text{V}$		-50	-20		-50	-20	mA
Output Source Current	$V_{PIN\ 17} = 0\text{V}$	5	11		5	11		mA
High Level Output Voltage		13	13.6		13	13.6		V
Low Level Output Voltage			-14.8	-13		-14.8	-13	V
PWM Comparators								
Input Offset Voltage	$V_{CM} = 0\text{V}$		20			20		mV
Input Bias Current	$V_{CM} = 0\text{V}$		2	10		2	10	μA
Input Hysteresis	$V_{CM} = 0\text{V}$		10			10		mV
Common Mode range	$V_S = \pm 5\text{V}$ to $\pm 20\text{V}$	$-V_S + 1$		$+V_S - 2$	$-V_S + 1$		$+V_S - 2$	V
Current Limit								
Input Offset Voltage	$V_{CM} = 0\text{V}$, $T_J = 25^{\circ}\text{C}$	190	200	210	180	200	220	mV
Input Offset Voltage T.C.			-0.2			-0.2		$\text{mV}/^{\circ}\text{C}$
Input Bias Current		-10	-1.5		-10	-1.5		μA
Common Mode Range	$V_S = \pm 2.5\text{V}$ to $\pm 20\text{V}$	$-V_S$		$+V_S - 3$	$-V_S$		$+V_S - 3$	V
Shutdown								
Shutdown Threshold	(Note 4)	-2.3	-2.5	-2.7	-2.3	-2.5	-2.7	V
Hysteresis			40			40		mV
Input Bias Current	$V_{PIN\ 14} = +V_S$ to $-V_S$	-10	-0.5		-10	-0.5		μA
Under-Voltage Lockout								
Start Threshold	(Note 5)		4.15	5.0		4.15	5.0	V
Hysteresis			0.25			0.25		mV
Total Standby Current								
Supply Current			8.5	15		8.5	15	mA
Output Section								
Output Low Level	$I_{SINK} = 20\text{mA}$		-14.9	-13		-14.9	-13	V
	$I_{SINK} = 100\text{mA}$		-14.5	-13		-14.5	-13	
Output High Level	$I_{SOURCE} = 20\text{mA}$	13	13.5		13	13.5		V
	$I_{SOURCE} = 100\text{mA}$	12	13.5		12	13.5		
Rise Time	(Note 3) $C_L = \text{Inf}$, $T_J = 25^{\circ}\text{C}$		100	600		100	600	ns
Fall Time	(Note 3) $C_L = \text{Inf}$, $T_J = 25^{\circ}\text{C}$		100	300		100	300	ns

Note 3: These parameters, although guaranteed over the recommended operating conditions, are not 100% tested in production.

Note 4: Parameter measured with respect to $+V_S$ (Pin 6).

Note 5: Parameter measured at $+V_S$ (Pin 6) with respect to $-V_S$ (Pin 5).

Note 6: R_T and C_T referenced to Ground.

FUNCTIONAL DESCRIPTION

Following is a description of each of the functional blocks shown in the Block Diagram.

Oscillator

The oscillator consists of two comparators, a charging and discharging current source, a current source set terminal, ISET and a flip-flop. The upper and lower threshold of the oscillator waveform is set externally by applying a voltage at pins $+V_{TH}$ and $-V_{TH}$ respectively. The $+V_{TH}$ ter-

minal voltage is buffered internally and also applied to the ISET terminal to develop the capacitor charging current through R_T . If R_T is referenced to $-V_S$ as shown in Figure 1, both the threshold voltage and charging current will vary proportionally to the supply differential, and the oscillator frequency will remain constant. The triangle waveform oscillators frequency and voltage amplitude is determined by the external components using the formulas given in Figure 1.

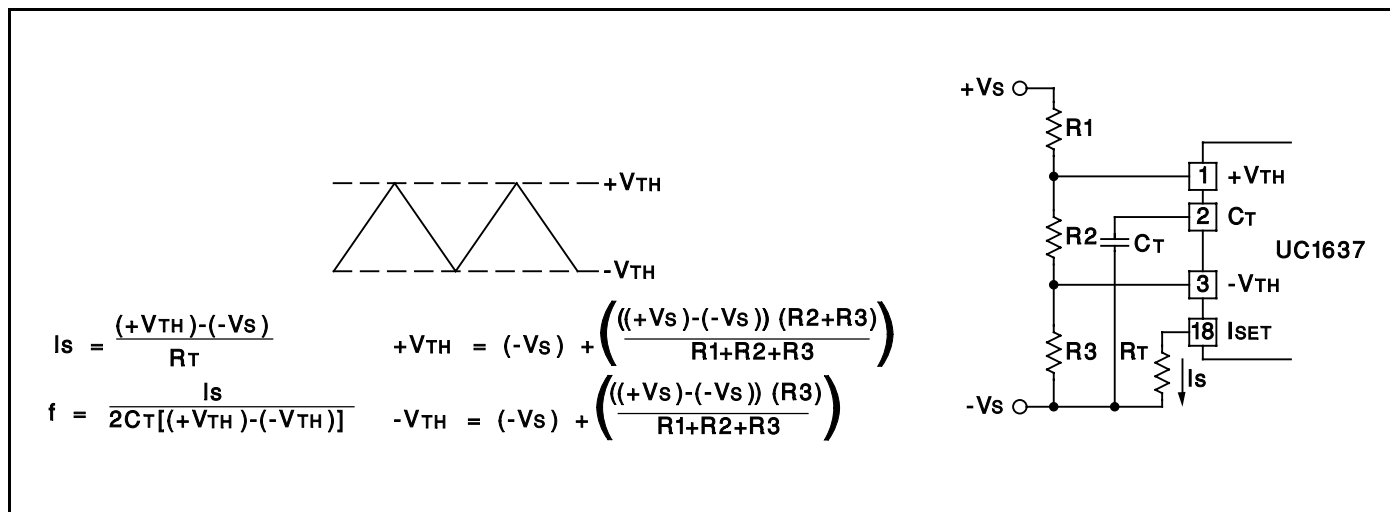


Figure 1. Oscillator Setup

PWM Comparators

Two comparators are provided to perform pulse width modulation for each of the output drivers. Inputs are uncommitted to allow maximum flexibility. The pulse width of the outputs A and B is a function of the sign and amplitude of the error signal. A negative signal at Pin 10 and 8 will lengthen the high state of output A and shorten the high state of output B. Likewise, a positive error signal reverses the procedure. Typically, the oscillator waveform is compared against the summation of the error signal and the level set on Pin 9 and 11.

MODULATION SCHEMES

Case A Zero Deadtime (Equal voltage on Pin 9 and Pin 11)

In this configuration, maximum holding torque or stiffness and position accuracy is achieved. However, the power input into the motor is increased. Figure 3A shows this configuration.

Case B Small Deadtime (Voltage on Pin 9 > Pin 11)

A small differential voltage between Pin 9 and 11 provides the necessary time delay to reduce the chances of momentary short circuit in the output stage during transitions, especially where power-amplifiers are used. Refer to Figure 3B.

Case C Increased Deadtime and Deadband Mode

(Voltage on Pin 9 > Pin 11)

With the reduction of stiffness and position accuracy, the power input into the motor around the null point of the servo loop can be reduced or eliminated by widening the window of the comparator circuit to a degree of acceptance. Where position accuracy and mechanical stiffness is unimportant, deadband operation can be used. This is shown in Figure 3C.

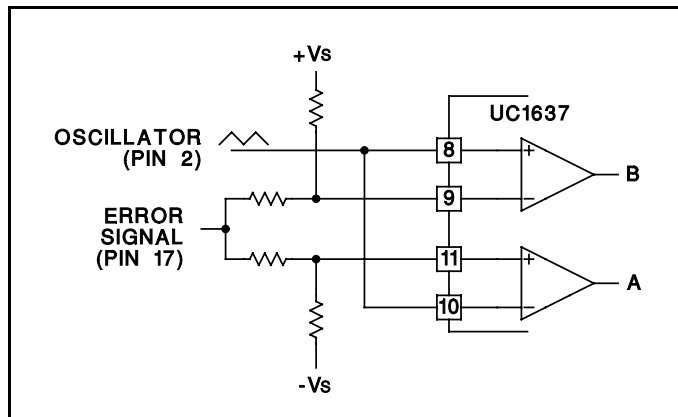


Figure 2. Comparator Biasing

Output Drivers

Each output driver is capable of both sourcing and sinking 100mA steady state and up to 500mA on a pulsed basis for rapid switching of either POWERFET or bipolar transistors. Output levels are typically $-V_s + 0.2V$ @50mA low level and $+V_s - 2.0V$ @50mA high level.

Error Amplifier

The error amplifier consists of a high slew rate ($15V/\mu s$) op-amp with a typical 1MHz bandwidth and low output impedance. Depending on the $\pm V_s$ supply voltage, the common mode input range and the voltage output swing is within 2V of the V_s supply.

Under-Voltage Lockout

An under-voltage lockout circuit holds the outputs in the low state until a minimum of 4V is reached. At this point, all internal circuitry is functional and the output drivers are enabled. If external circuitry requires a higher starting voltage, an over-riding voltage can be programmed through the shutdown terminal as shown in Figure 4.

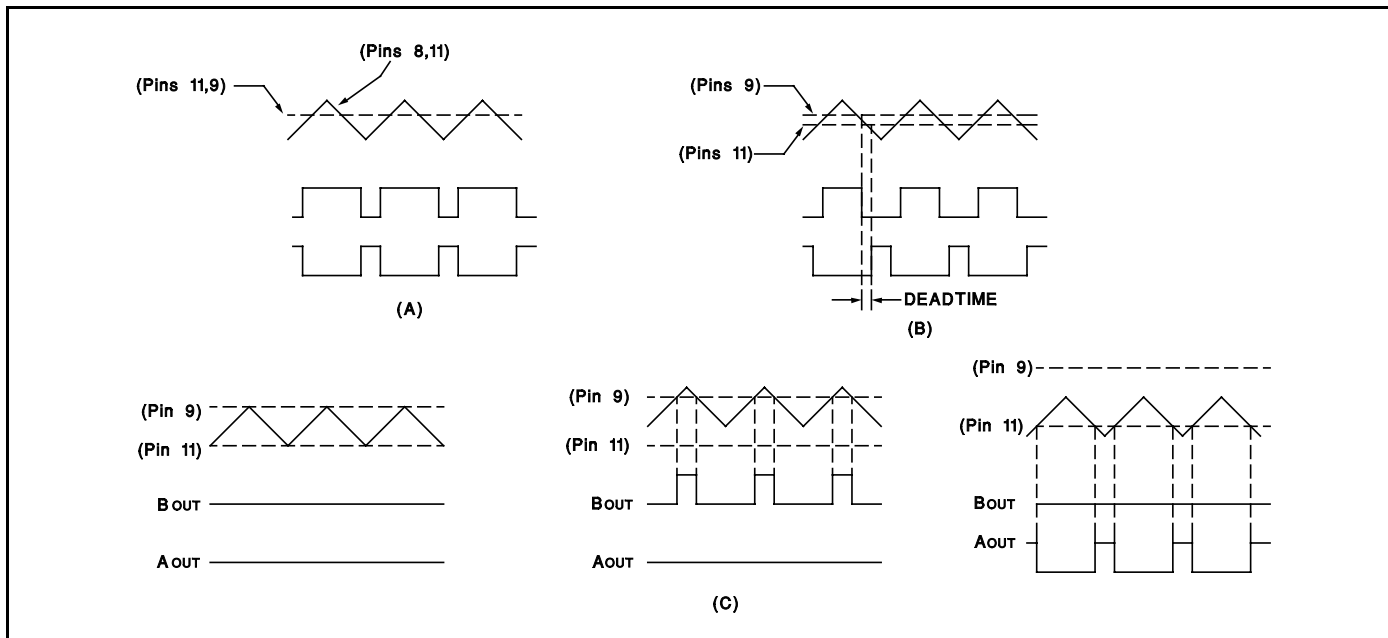


Figure 3. Modulation Schemes Showing (A) Zero Deadtime (B) Deadtime and (C) Deadband Configurations

Shutdown Comparator

The shutdown terminal may be used for implementing various shutdown and protection schemes. By pulling the terminal more than 2.5V below V_{IN} , the output drivers will be enabled. This can be realized using an open collector gate or NPN transistor biased to either ground or the negative supply. Since the threshold is temperature stabilized, the comparator can be used as an accurate low voltage lockout (Figure 4) and/or delayed start as in Figure 5. In the shutdown mode the outputs are held in the low state.

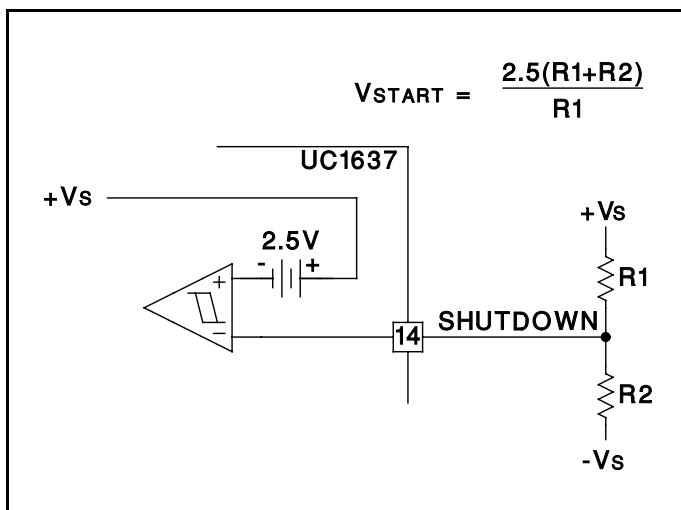


Figure 4. External Under-Voltage Lockout

Current Limit

A latched current limit amplifier with an internal 200mV offset is provided to allow pulse-by-pulse current limiting. Differential inputs will accept common mode signals from

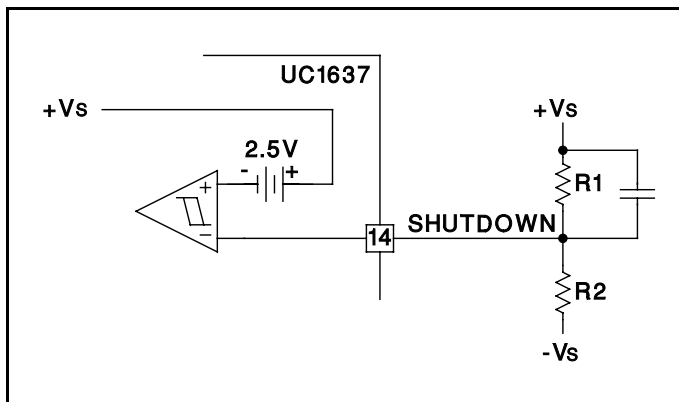


Figure 5. Delayed Start-Up

$-V_s$ to within 3V of the $+V_s$ supply while providing excellent noise rejection. Figure 6 shows a typical current sense circuit.

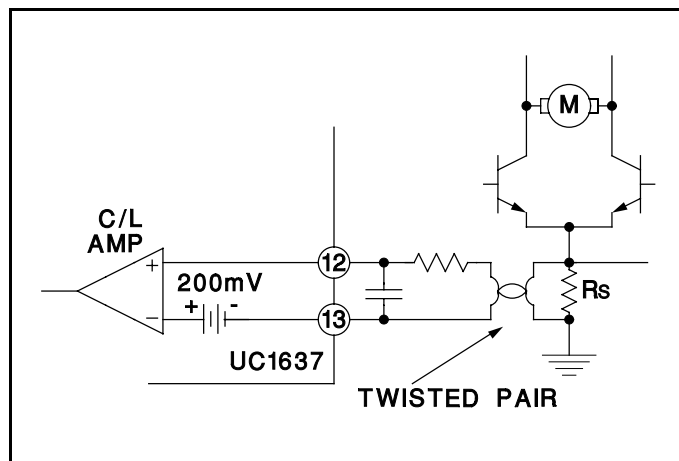


Figure 6. Current Limit Sensing

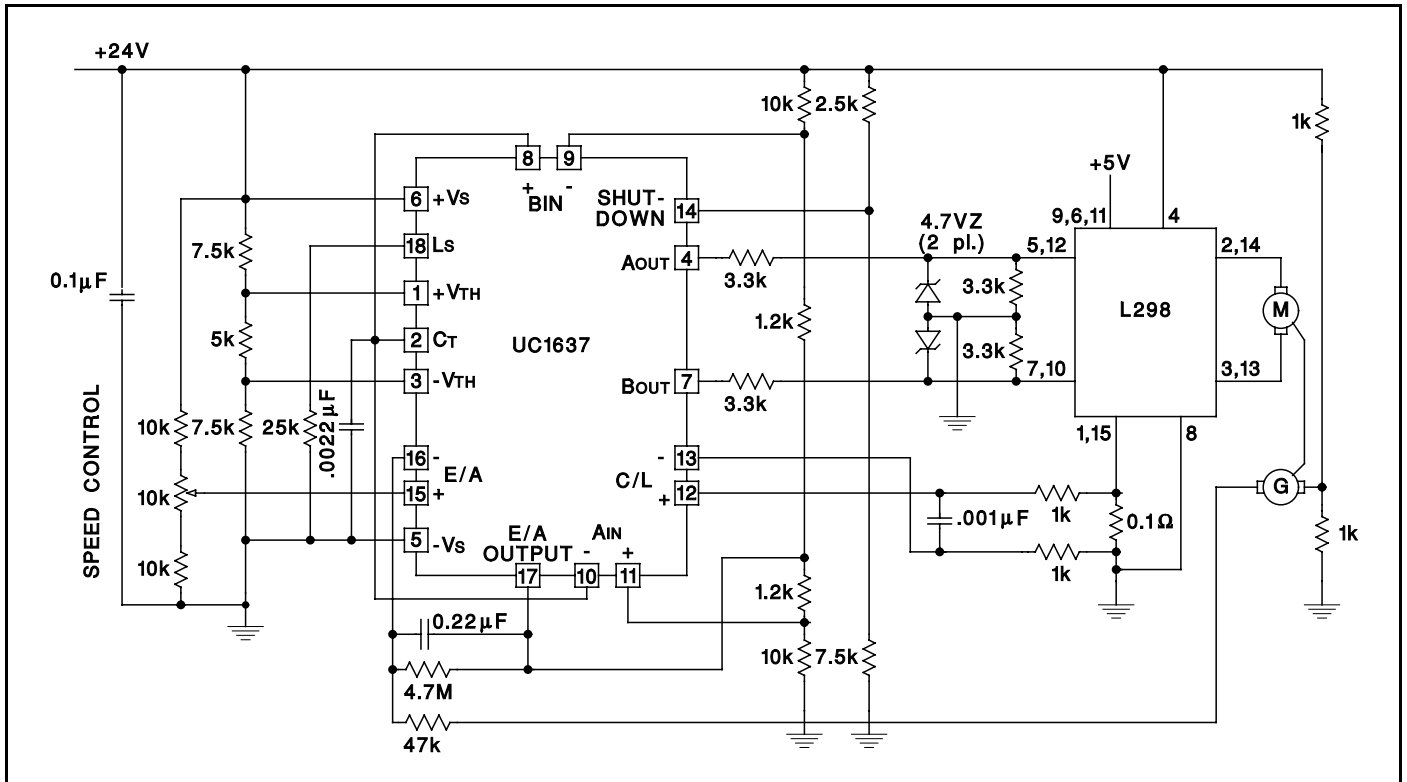


Figure 7. Bi-Directional Motor Drive with Speed Control Power-Amplifier

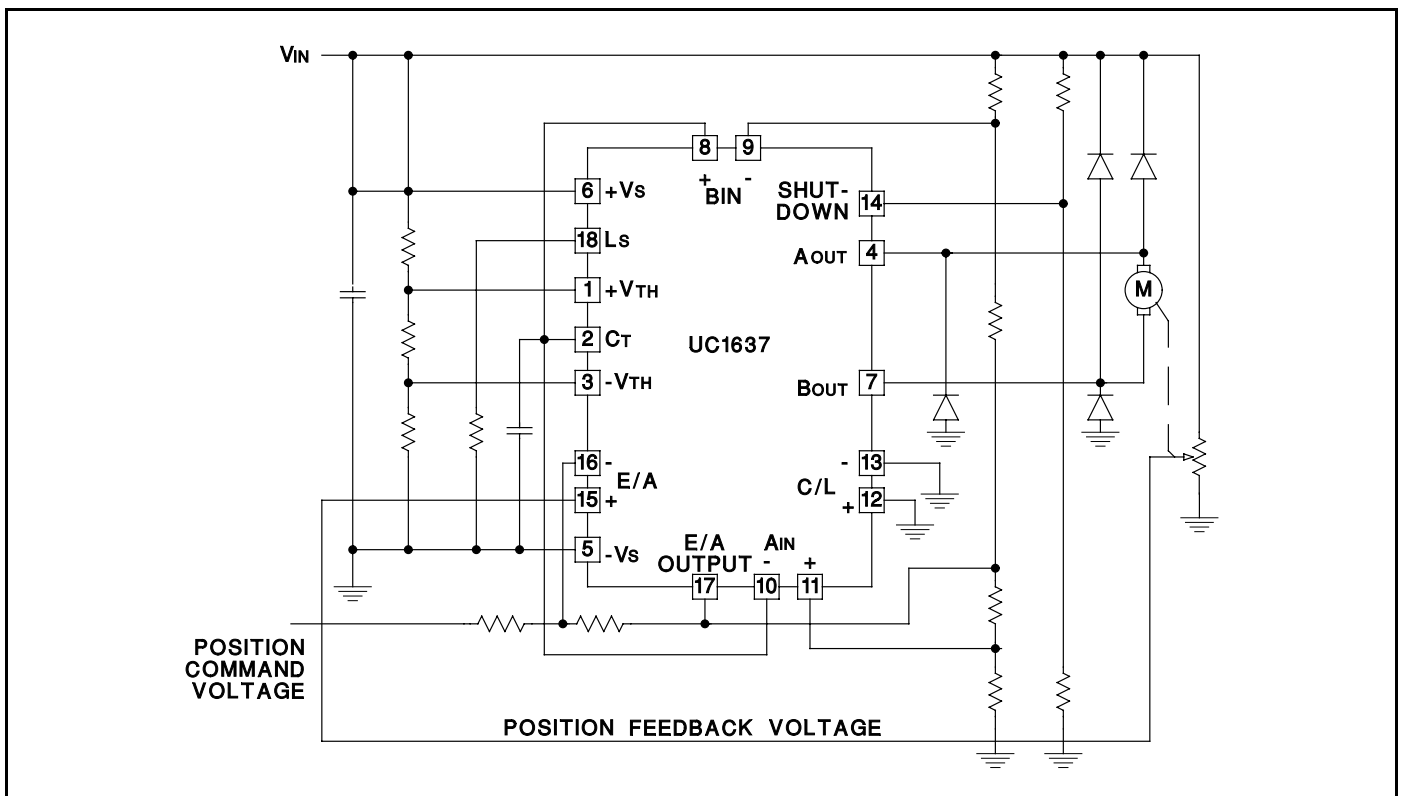


Figure 8. Single Supply Position Servo Motor Drive

IMPORTANT NOTICE

Texas Instruments and its subsidiaries (TI) reserve the right to make changes to their products or to discontinue any product or service without notice, and advise customers to obtain the latest version of relevant information to verify, before placing orders, that information being relied on is current and complete. All products are sold subject to the terms and conditions of sale supplied at the time of order acknowledgement, including those pertaining to warranty, patent infringement, and limitation of liability.

TI warrants performance of its semiconductor products to the specifications applicable at the time of sale in accordance with TI's standard warranty. Testing and other quality control techniques are utilized to the extent TI deems necessary to support this warranty. Specific testing of all parameters of each device is not necessarily performed, except those mandated by government requirements.

CERTAIN APPLICATIONS USING SEMICONDUCTOR PRODUCTS MAY INVOLVE POTENTIAL RISKS OF DEATH, PERSONAL INJURY, OR SEVERE PROPERTY OR ENVIRONMENTAL DAMAGE ("CRITICAL APPLICATIONS"). TI SEMICONDUCTOR PRODUCTS ARE NOT DESIGNED, AUTHORIZED, OR WARRANTED TO BE SUITABLE FOR USE IN LIFE-SUPPORT DEVICES OR SYSTEMS OR OTHER CRITICAL APPLICATIONS. INCLUSION OF TI PRODUCTS IN SUCH APPLICATIONS IS UNDERSTOOD TO BE FULLY AT THE CUSTOMER'S RISK.

In order to minimize risks associated with the customer's applications, adequate design and operating safeguards must be provided by the customer to minimize inherent or procedural hazards.

TI assumes no liability for applications assistance or customer product design. TI does not warrant or represent that any license, either express or implied, is granted under any patent right, copyright, mask work right, or other intellectual property right of TI covering or relating to any combination, machine, or process in which such semiconductor products or services might be or are used. TI's publication of information regarding any third party's products or services does not constitute TI's approval, warranty or endorsement thereof.