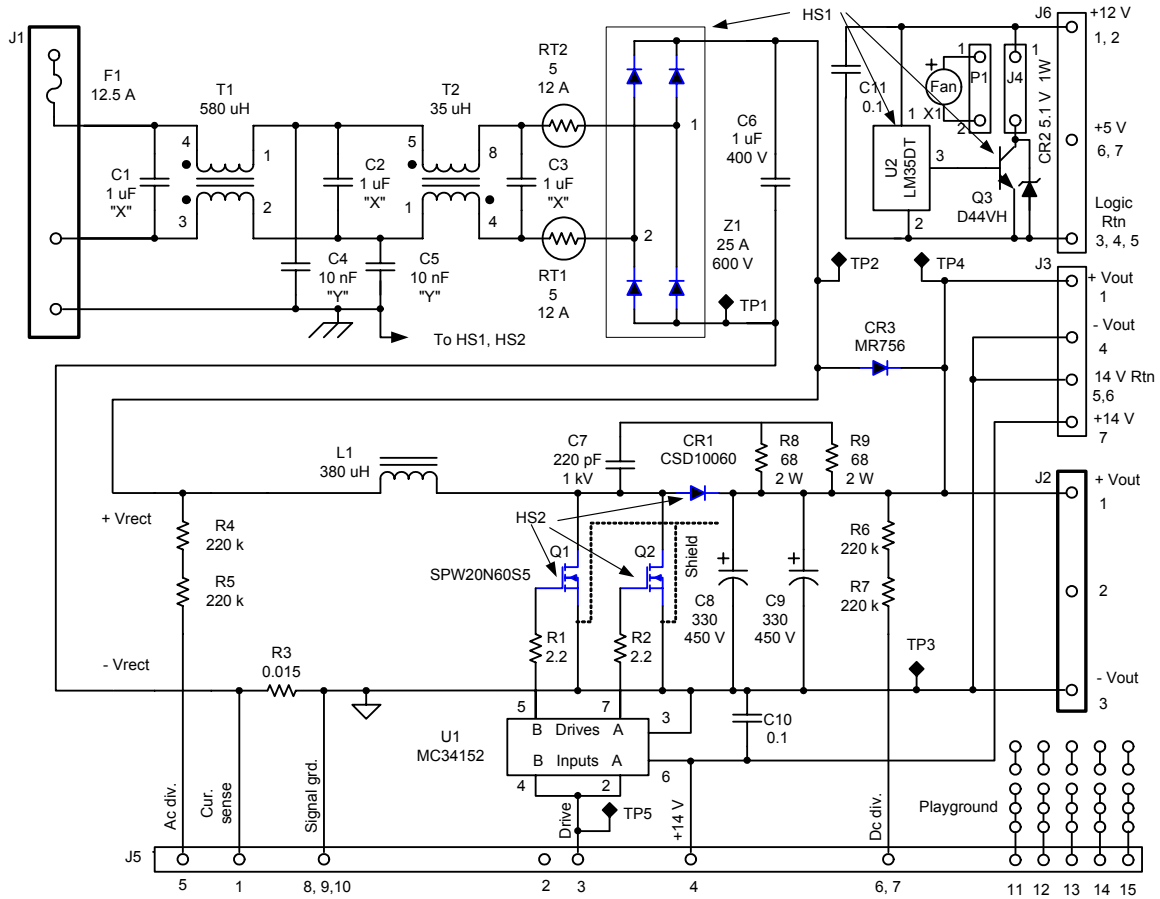
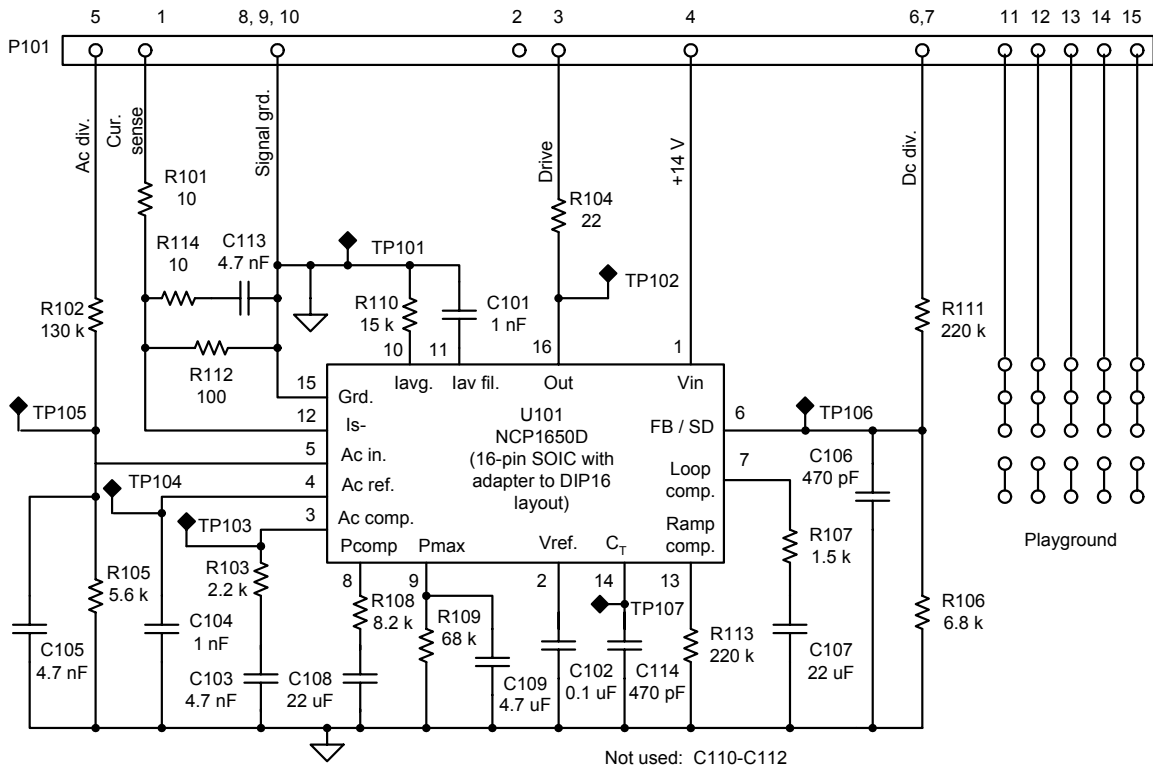


NCP1650 1 kW Demo Board Schematic Rev. 2

Main Board



Control Board



Bias Supply

