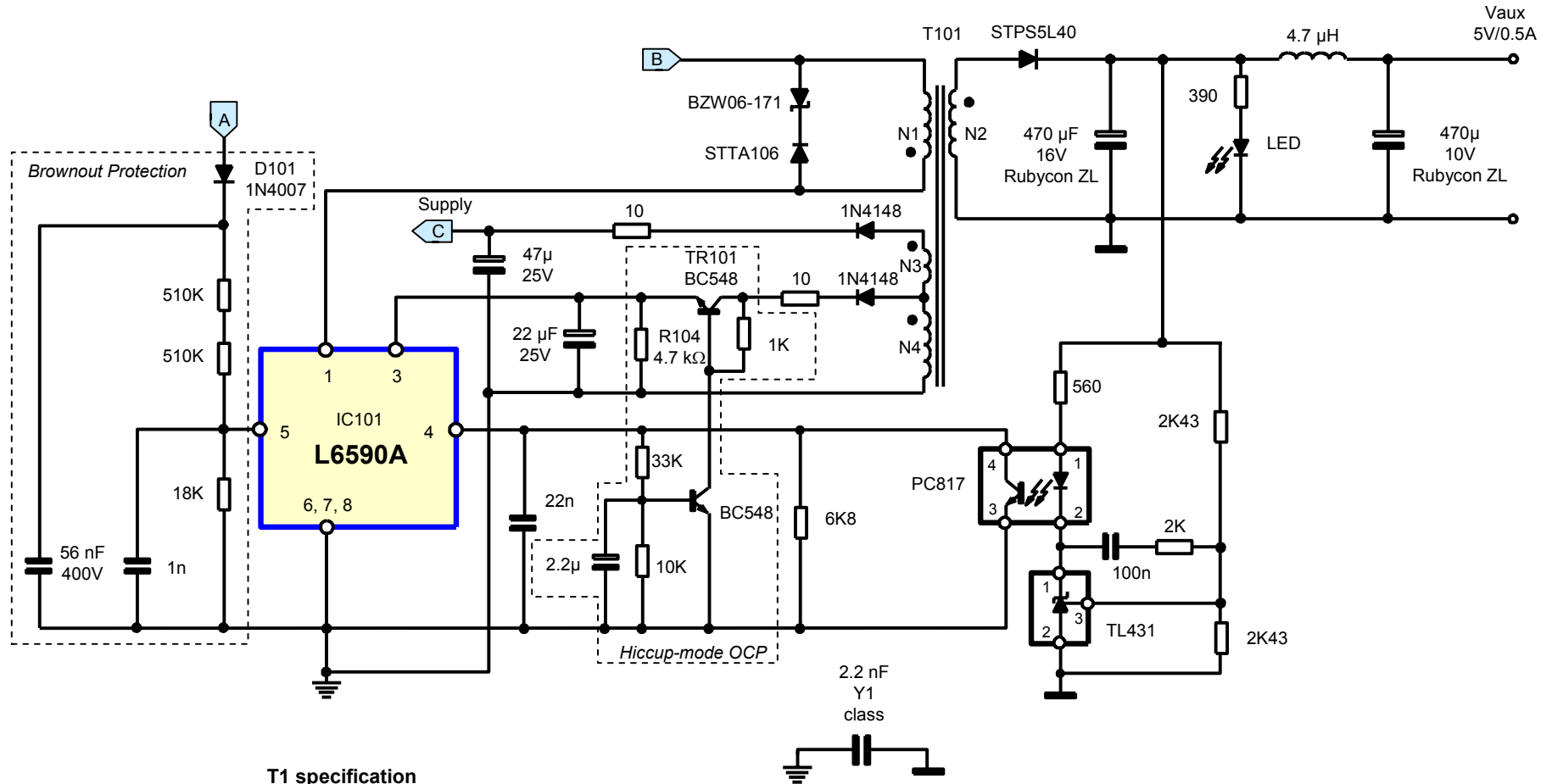


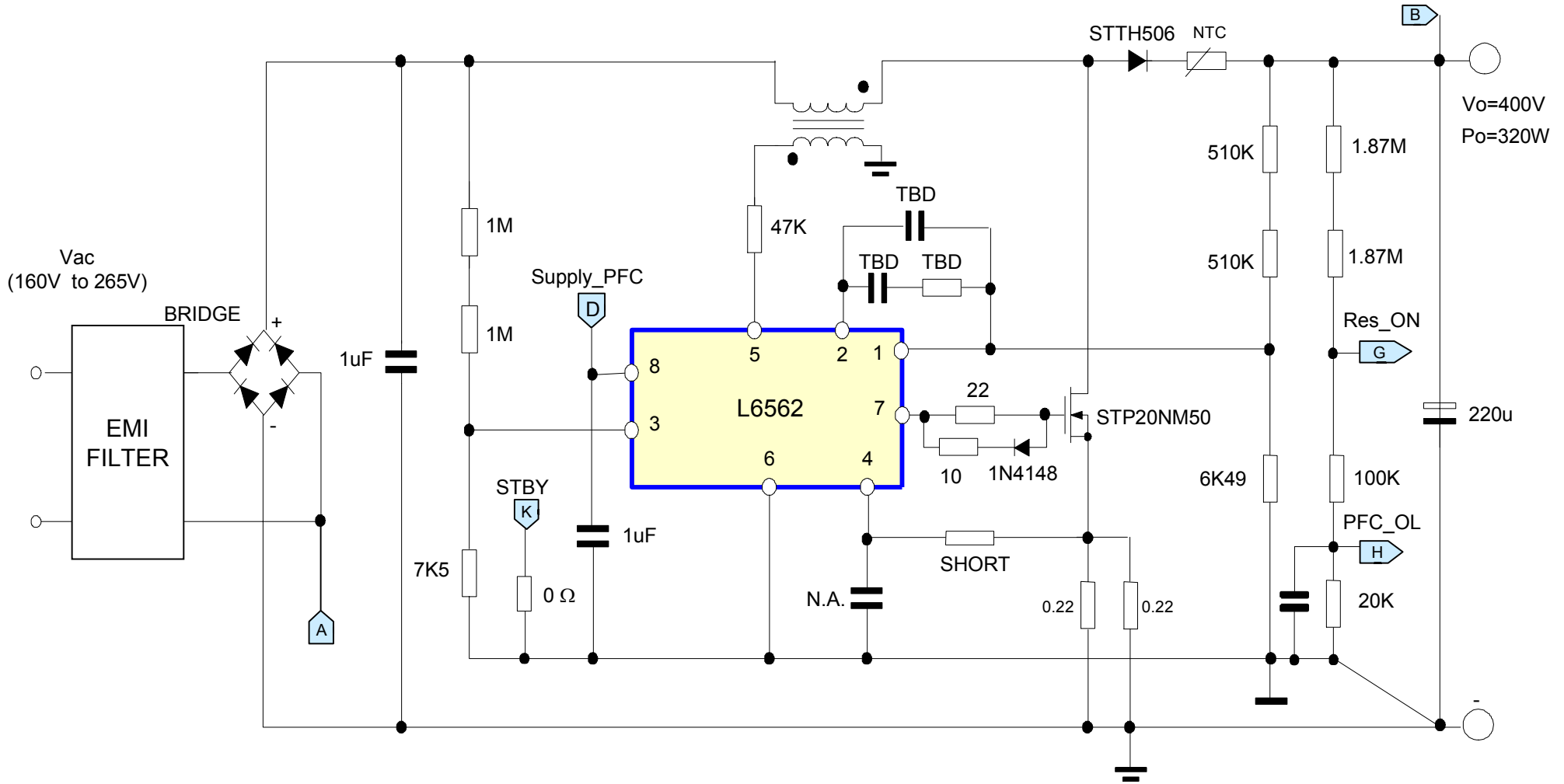
2.5W AUXILIARY CONVERTER



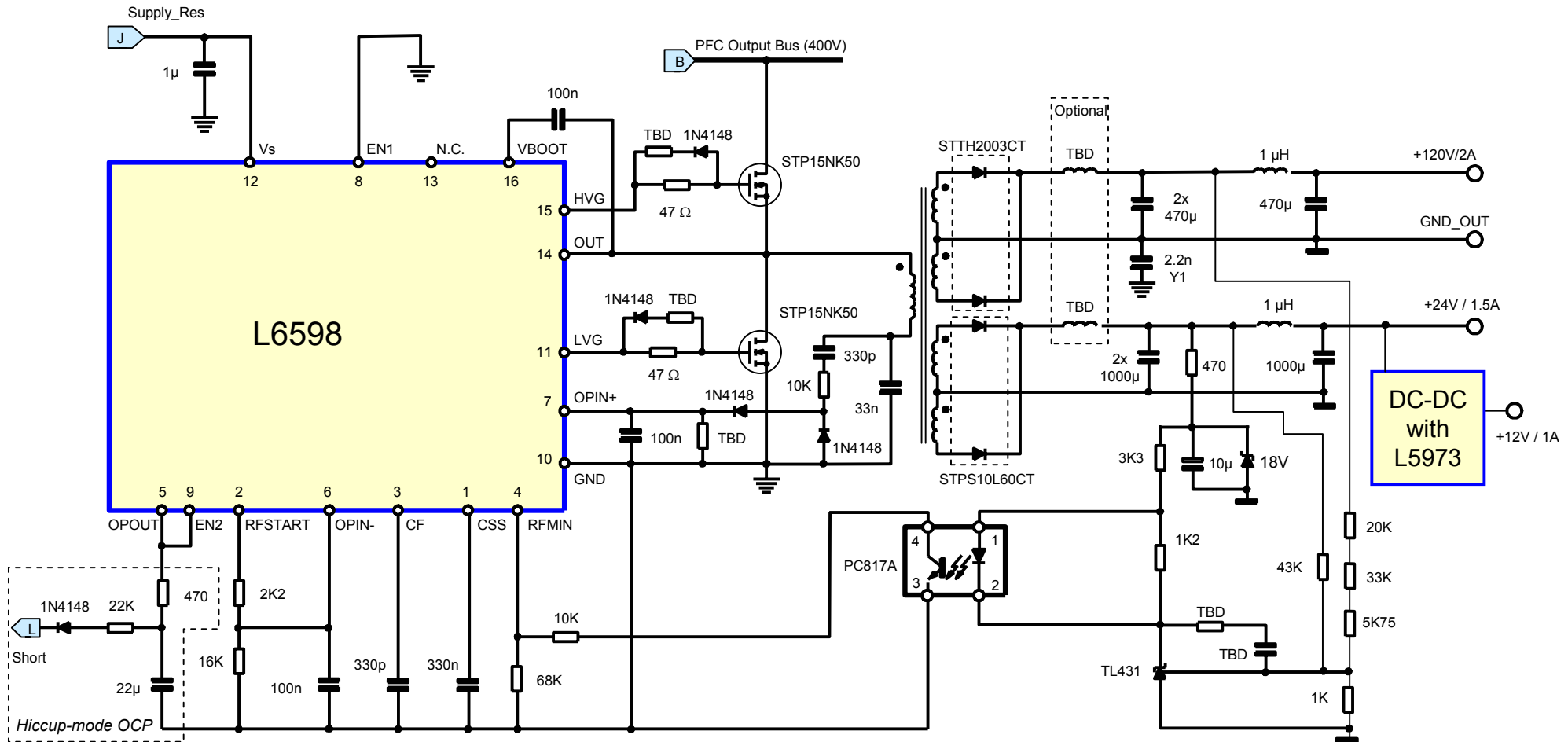
T1 specification

Core E16, ferrite N87 or equivalent
 gap for a primary inductance of 1.7 mH
 Leakage <math>< 30 \mu\text{H}</math>
 Primary : N1 = 100 T, 2 series windings 50T each, (\varnothing 0.25 mm)
 Sec : N2 = 10 T, 4xAWG32
 Aux1 : N3 = 24 T, AWG32
 Aux2 : N4 = 7 T, AWG32

PFC PRE-REGULATOR (L6562, 320W)



RESONANT DC-DC CONVERTER (300W)



Transformer: suggested core E42 with about gap=1mm

Primary: 52T

Secondary1: 30T (+30T)

Secondary2: 6T (+6T)

The transformer must be fine-tuned on the application

GLUE LOGIC (with L6562)

