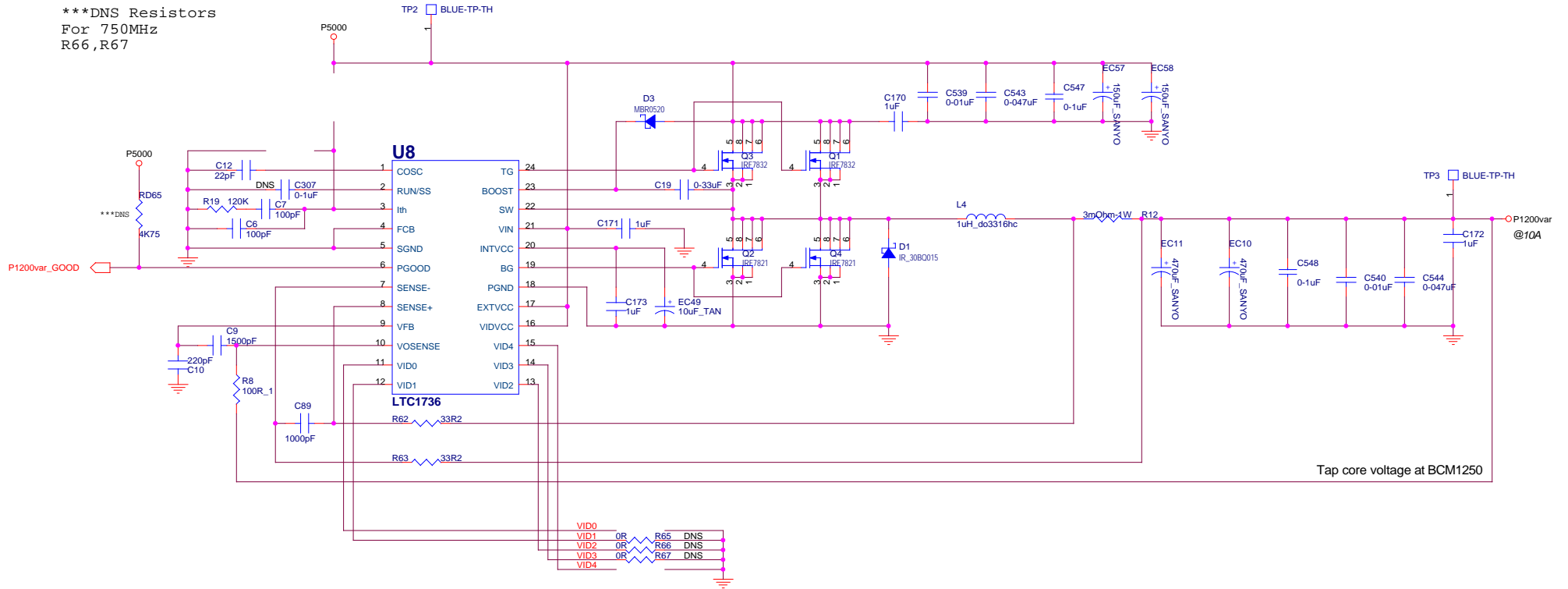


# Core Power Supply

\*\*\*DNS Resistors  
R3,R30

\*\*\*DNS Resistors  
For 750MHz  
R66,R67



Stuff Options for Core Supply Voltage:

	BCM1250 - 800M	BCM1250 - 750M
VID0	NO STUFF	NO STUFF
VID1	STUFF	NO STUFF
VID2	STUFF	STUFF
VID3	STUFF	STUFF
VID4	NO STUFF	NO STUFF
Core Voltage	1.25V	1.2V

