

# ROHM CCFL Inverter Controller LSI Road map

*Confidential*

Inch size

Wide Size  
LCD TV  
30inch~

LCD TV  
23inch~

LCD  
Monitor1  
7inch~

Note PC

Others  
· Car NAVI  
· DVC etc

**BD9766FV**  
2ch Half Bridge  
2 ~ 6 Lamps  
SSOP-B28

**BD9884FV**  
2ch Half Bridge  
4 ~ Lamps  
Synchronous  
Operating Sub IC  
SSOP-B28

**BD9883FV**  
1ch Half Bridge  
2 NMOS Control  
SSOP-B20

**BD9881FV**  
Half Bridge  
SSOP-B20

**Multi Phase Drives**  
**BD98xxFV**  
2ch  
High Efficiency  
4 ~ Lamps  
Panel Synchronous

**All in one**  
**BD98xxFV**  
Built-in Power MOS

**BD98 x x FV**  
For the next generation  
source of a light  
(Xenon Lamp., etc..)

**BD-3**

2002

2003

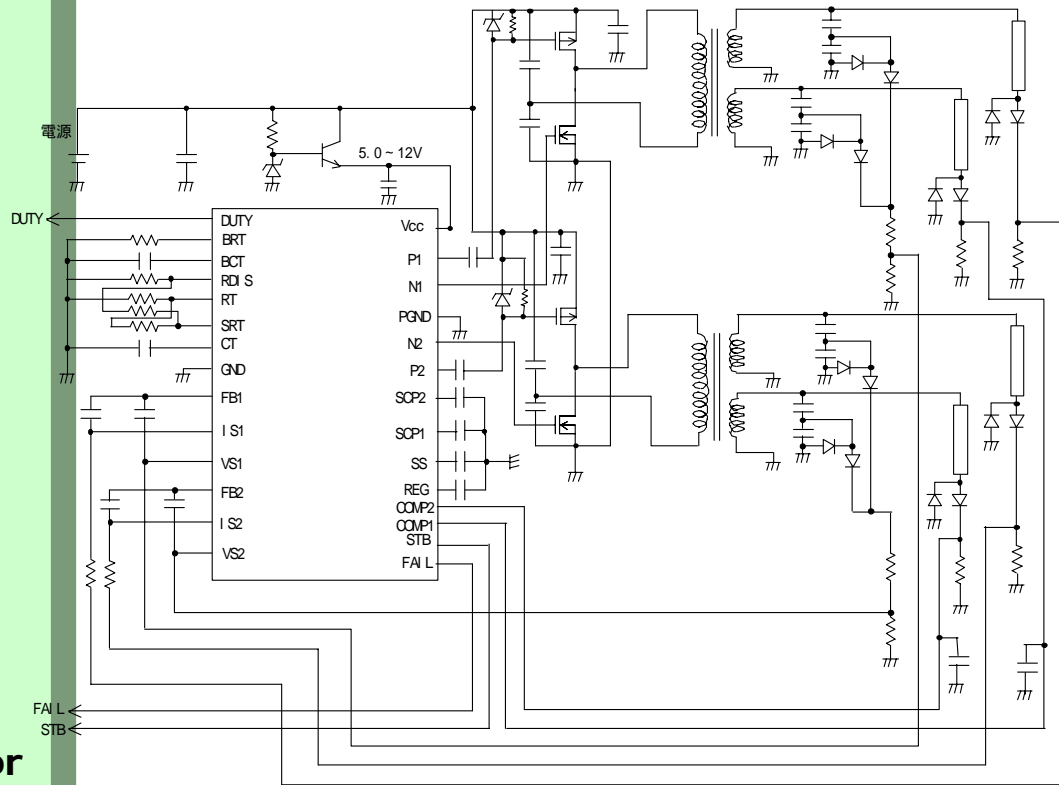
2004



# CCFL Inverter Control IC BD9766FV

## Features

- 2ch half bridge
- Current & voltage feedback
- Built-in soft start circuit
- Built-in timer latch circuit
- Built-in UVLO circuit
- Built-in sourpuss voltage protect circuit
- Low power mode by STB pin
- DUTY pin change PWM mode or burst mode

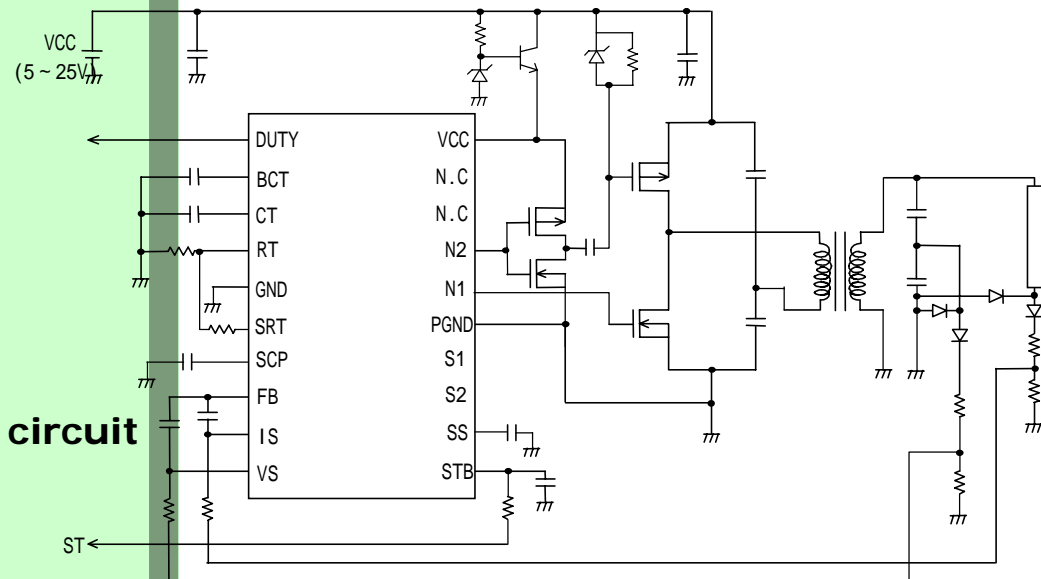




# CCFL Inverter Control IC BD9881FV

## Features

- 1ch half bridge
- Supports 36V Hi voltage process
- Current & voltage feedback
- Built-in soft start circuit
- Built-in timer latch circuit
- Built-in UVLO circuit
- Built-in sourpuss voltage protect circuit
- Low power mode by STB pin
- DUTY pin change PWM mode or burst mode
- Control some Synchronous BD9881FV
- RT terminal change main chip or sub chip



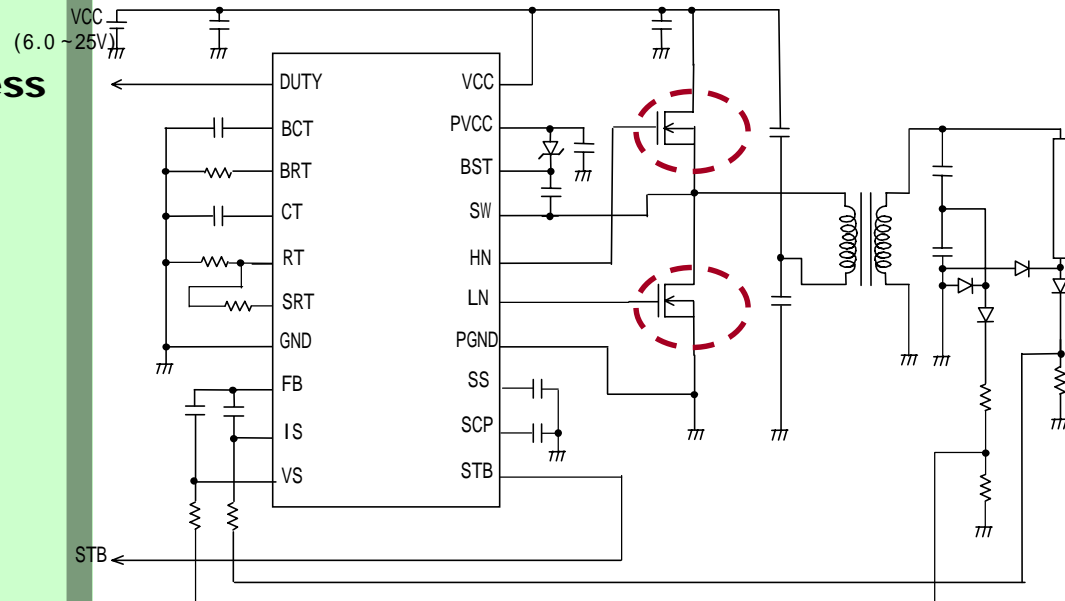


# CCFL Inverter Control IC

## BD9883FV

### Features

- 1ch half bridge
- Supports 36V Hi voltage process
- Current & voltage feedback
- Built-in soft start circuit
- Built-in timer latch circuit
- Built-in UVLO circuit
- Built-in sourpuss voltage protect circuit
- Low power mode by STB pin
- DUTY pin change PWM mode or burst mode





# CCFL Inverter Control IC

## BD9884FV

**ROHM**  
The future is on LSIs.

### Features

- Control 2ch synchronous half bridge
- Current & voltage feedback
- Built-in soft start circuit
- Built-in timer latch circuit
- Built-in UVLO circuit
- Built-in UVLO circuit of FET power supply
- Built-in sourpuss voltage protect circuit
- Low power mode by STB pin
- Burst control change 2ch forward and reverse synchronous
- Control some synchronous BD9884FV

