

Dual SCALE Driver 2SD106AI-17

for 1600V/1700V IGBTs

Description

The **SCALE** drivers from **CONCEPT** are based on a chip set that was developed specifically for the reliable driving and safe operation of IGBTs and power MOSFETs.

The name "SCALE" is an acronym for the most outstanding properties of the SCALE series of drivers:

SCALE = **S**caleable, **C**ompact, **A**ll purpose, **L**ow cost and **E**asy to use.



The SCALE driver is a winning project of the competition organized by "Technology Center Switzerland 1998". And ABB Switzerland AG honored the development of the SCALE driver by distinguishing it as the "best power electronics project in 1998".

Product Highlights

- ✓ Partial discharge tested for 1700V Applications
- ✓ Short circuit and overcurrent protection
- ✓ Extremely reliable, long service life
- ✓ High gate current of $\pm 6A$
- ✓ Electrical isolation of $4000V_{AC}$
- ✓ Electrically isolated status acknowledgement
- ✓ Monitoring of power supply and self-monitoring
- ✓ Switching frequency DC to $>100kHz$
- ✓ Duty cycle: 0... 100%
- ✓ High dv/dt immunity, guaranteed $>100,000V/\mu s$
- ✓ Complete with DC/DC converter

Applications

- ✓ Inverters
- ✓ Motor drive technology
- ✓ Traction
- ✓ Railroad power supplies
- ✓ Converters
- ✓ Power engineering
- ✓ Switched-mode power supplies
- ✓ Radiology and laser technology
- ✓ DC/DC converter
- ✓ Research
- ✓ RF generators and converters

Block Diagram

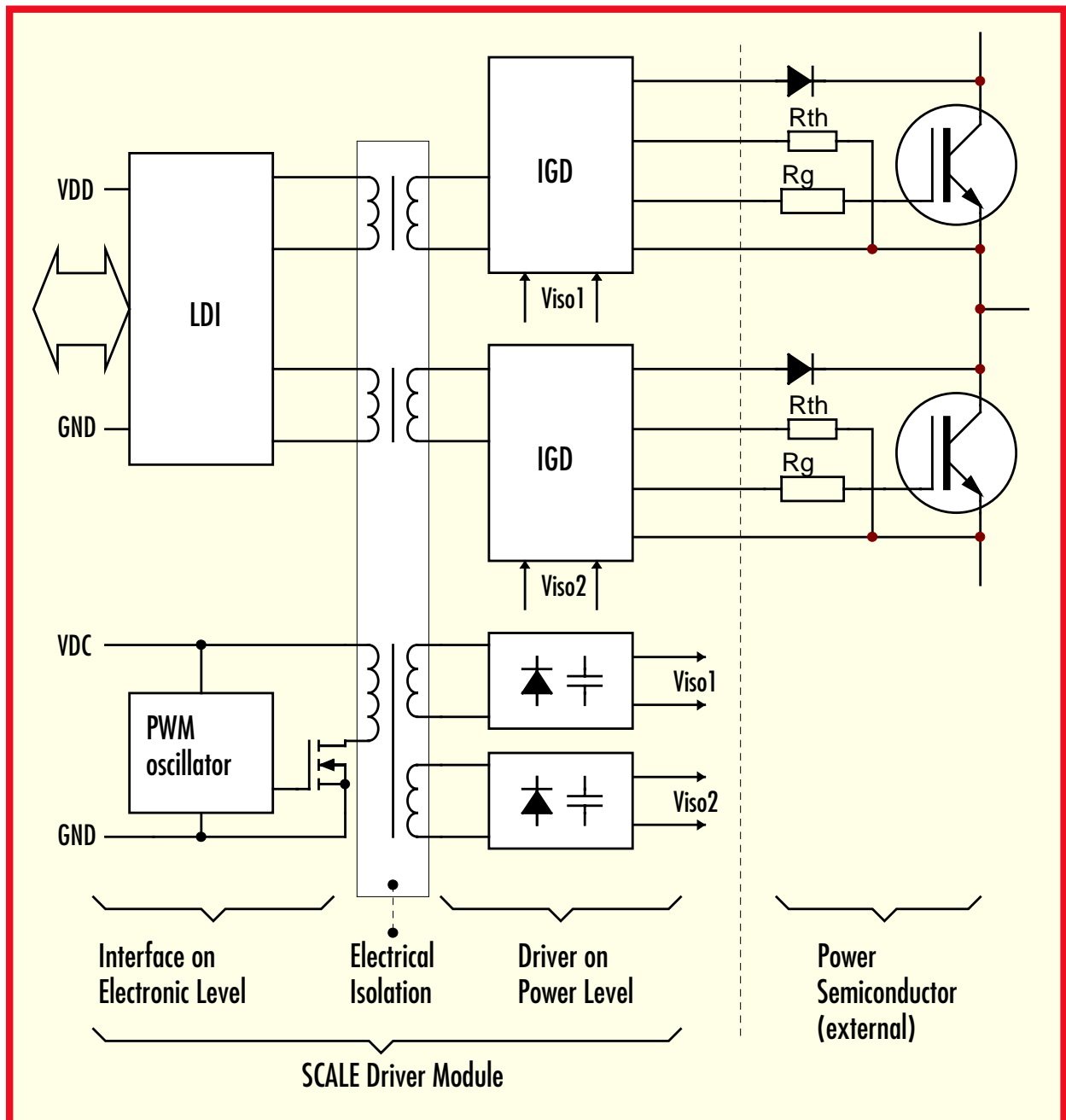


Fig. 1 Block diagram of the 2SD106AI-17

Pin Designation

Pin Des.	Function	Pin Des.	Function
1 VDD	+15V for electronic input side	24	Free
2 GND	GND for electronic input side	23 C1	Collector sense channel 1
3 SO1	Status output channel 1	22 Rth1	Reference resistor channel 1
4 VL	Logic level/Reset	21 E1	Emitter channel 1
5 RC1	RC network deadtime channel 1	20 G1	Gate channel 1
6 InA	Input A	19	Free
7 InB	Input B	18	Free
8 RC2	RC network deadtime channel 2	17 C2	Collector sense channel 2
9 MOD	Mode input	16 Rth2	Reference resistor channel 2
10 SO2	Status output channel 2	15 E2	Emitter channel 2
11 GND(dc)	Ground of the DC/DC converter	14 G2	Gate channel 2
12 VDC	+15V for DC/DC converter	13	Free

Legend:

Pins with the designation "Free" are not physically present (drawn as "X" in Fig. 3 bottom).

Mechanical Dimensions

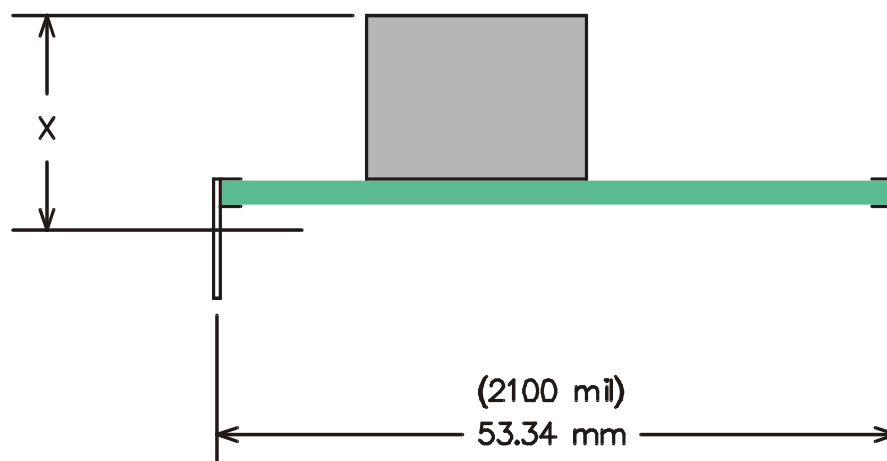


Fig. 2 Side view 2SD106A

Height X: typ. 25mm in first series (1998, 1999); typ. 16mm from 1999/2000

Data Sheet 2SD106AI-17

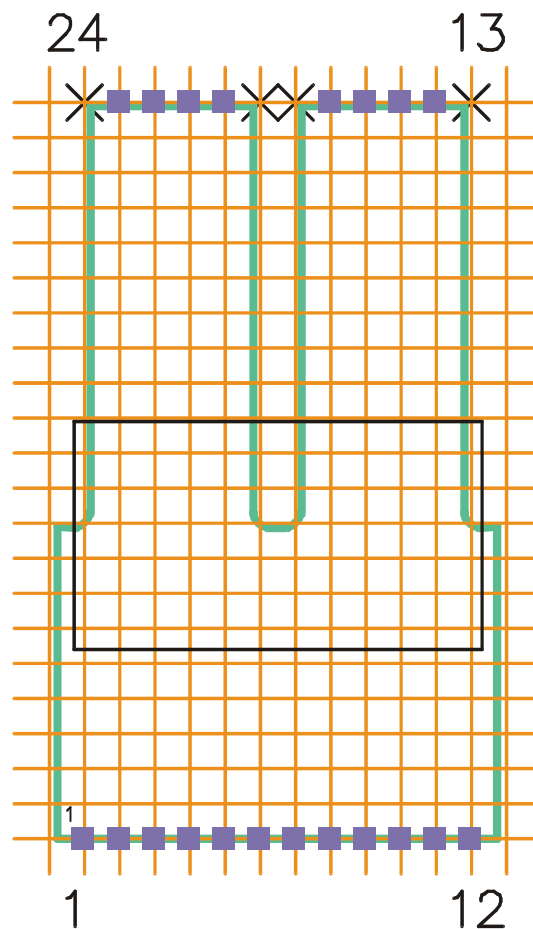
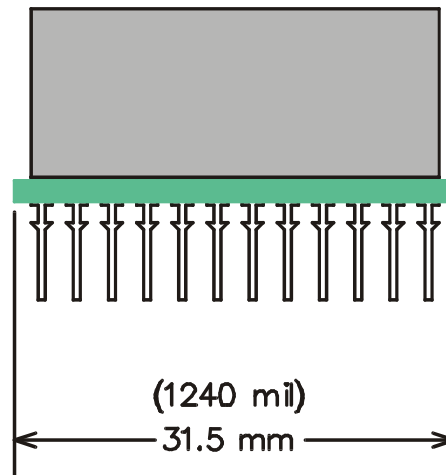


Fig. 3 Front view (top) / Layout overview component side (bottom) 2SD106AI-17

Details of the circuit board layout

Grid of the aspect drawing on page 4 below: 2.54mm (100mil)

Recommended diameter of solder pad: \varnothing 1.6mm

Recommended diameter of drill holes: \varnothing 1.0mm

Absolute Maximum Ratings

Parameter	Test conditions	min	max	unit
Supply voltage <i>VDC</i>		0	16	Vdc
Supply voltage <i>VDD</i>		0	16	Vdc
Logic input voltage	to GND	0	<i>VDD</i>	Vdc
Gate peak current <i>I_{out}</i>	Gx to Ex	-6	+6	A
Output power DC/DC converter	total for both channels		2	W
Test voltage (50Hz/1min)	inputs to outputs		4000	V _{AC} (eff)
Operating voltage	continuous (see Note 8)		1500	Vdc
Operating temperature	2SD106AI-17 (see Note 10)	-40	+85	°C
Storage temperature		-40	+90	°C

All data refer to +25°C and *VDD* = *VDC* = 15V unless otherwise specified

Electrical Characteristics

Power supply	Test conditions	min	typ	max	unit
Nominal supply voltage <i>VDC</i>	to GND (see Note 1)	15			Vdc
Supply current <i>IDC</i>	without load	23			mA
Max. supply current <i>IDC</i>	(see Note 2)			153	mA
Output power DC/DC converter	(see Note 3)			2	W
Efficiency η	internal DC/DC converter	85			%
Nominal supply voltage <i>VDD</i>	to GND	15			Vdc
Supply current <i>IDD</i>	without load	12			mA
Supply current <i>IDD</i>	at 25kHz switching frequency	15			mA

Data Sheet 2SD106AI-17

Electrical Characteristics (Continuation)

Power supply monitoring	Test conditions	min	typ	max	unit
Turn-on threshold V_{th}	(see Note 4)		11.5		Vdc
Hysteresis on-/off	(see Note 4)		0.7		Vdc
Logic inputs	Test conditions	min	typ	max	unit
Input voltage	all inputs (see Note 5)	0		VDD	Vdc
Timing characteristics	Test conditions	min	typ	max	unit
Delay time input to output	turn-on $t_{pd(on)}$		300		ns
	turn-off $t_{pd(off)}$		350		ns
Blocking time	after failure (see Note 14)		1		s
Outputs	Test conditions	min	typ	max	unit
Output current I_G	Gx to Ex (see Note 6)	-6		+6	A
Output rise time $t_{r(out)}$	Gx to Ex (see Note 7)		100		ns
Output fall time $t_{f(out)}$	Gx to Ex (see Note 7)		80		ns
Output current SOx		1.5			mA
Output voltage rating SOx	SOx to GND			VDD	V
Vce-Monitoring	Test conditions	min	typ	max	unit
Inputs Cx	to Ex	0		VDD	Vdc
Electrical isolation	Test conditions	min	typ	max	unit
Operating voltage	continuous (see Note 8)			1500	Vdc
Test voltage	(50Hz/1min) (see Note 12)			4000	$V_{AC}(eff)$
Partial discharge extinction volt.	IEC270 (see Note 11)	>1700			$V_{AC}(pk)$
Creep path input-output			12.7		mm
Creep path output-output	(see Note 13)		7.0/12.7		mm
Maximum $\Delta V/\Delta t$ at $\Delta V = 1000V$	(see Note 9)	100			kV/ μs

All data refer to +25°C and $VDD = VDC = 15V$ unless otherwise specified

Operating Conditions

Operating conditions	Test conditions	min	max	unit
Operating temperature	2SD106AI-17 (see Note 10)	-40	+85	°C
Storage temperature		-40	+90	°C

Footnotes to the key data

- 1) The drivers have a zener diode on each channel for over-voltage protection. When the feed voltage exceeds 16V, this protection can be subject to thermal overload.
- 2) If the specified power consumption is exceeded, this indicates an overload of the DC/DC converter. It should be noted that these DC/DC converters are not protected against overload.
- 3) This should be considered as a recommended value. Please consult the section: "Output power and self-heating".
- 4) Under-voltage monitoring for protecting the power semiconductors. The voltage refers to the local supply voltage of each individual drive channel. However, this corresponds approximately to the voltage at VDC with respect to GND.
- 5) The input levels must never exceed the limits of the supply voltage (i.e. between GND and VDD), otherwise latch-up of the integrated circuits LDI 001 can occur. Particular care must be taken when driving via cables or longer leads.
- 6) The gate current must be limited to its maximum value by a gate resistor.
- 7) At a load of 39nF in series with 5.6 Ω (typical load of a 1200V/100A IGBT).
- 8) Maximum continuous or repeatedly-applied DC voltage or peak value of the repeatedly-applied AC voltage between all inputs and all outputs.
- 9) This specification guarantees that the drive information will be transferred reliably even at a high DC-link voltage and fastest switching operations.
- 10) The application-specific self-heating of the drivers - specially at high load - must be taken into account.
- 11) This tested and selected types with guaranteed partial-discharge immunity are designed for applications with maximum requirements and higher operating voltages (such as railroad applications).
- 12) The test voltage of 4000 Vac(rms)/50Hz may be applied only once during a minute. It should be noted that with this (strictly speaking obsolete) test method, some (minor) damage occurs to the isolation layers due to the partial discharge. Consequently, this test is not performed at CONCEPT as a series test. In the case of repeated isolation tests (e.g. module test, equipment test, system test) the subsequent tests should be performed with a lower test voltage: the test voltage is reduced by 400V for each additional test. The more modern if more elaborate partial-discharge measurement is better suited than such test methods as it is almost entirely non-destructive.
- 13) The first series (1988) has a creep path of 7.0mm between adjacent channels. A creep path of 12.7mm will be implemented (with 100% mechanical compatibility) in later series.
- 14) The typical blocking time after an error is 1 second. If required, versions with other blocking times may also be supplied.

Application Hints

IMPORTANT INFORMATION

This data sheet contains only product-specific data. All data that apply to the whole type series of SCALE drivers is given in the document entitled: "Description and Application Manual for SCALE Drivers". In particular, this manual contains a detailed description of the concept of the SCALE drivers, a description of the function of all terminal pins as well as other important application hints.

Overview and application

The SCALE driver 2SD106AI-17 is a two channel-driver for 1600V/1700V IGBTs.

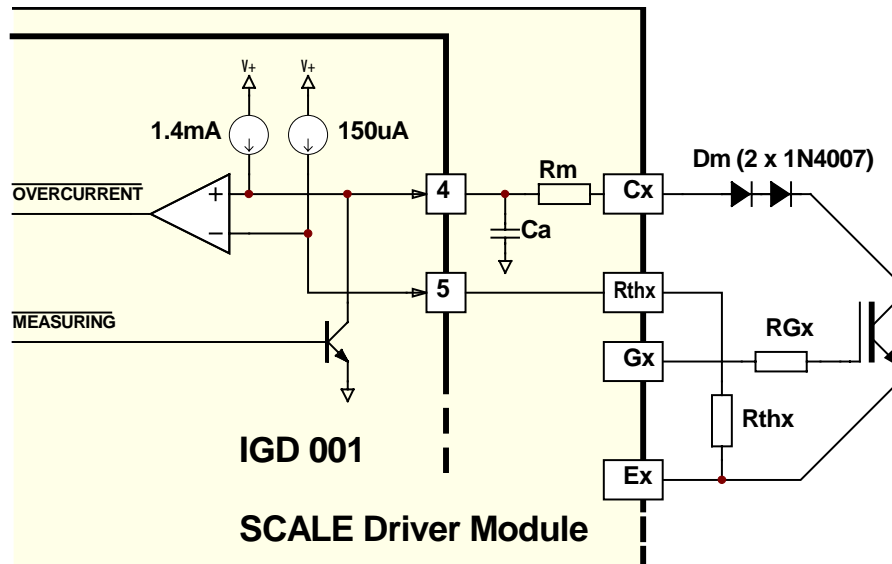
Its compact mechanical dimensions and simple electrical interface make this driver suitable for almost all conceivable applications. When used as a half-bridge driver, the 2SD106AI-17 can directly generate any dead times that may be required.

Output power and self-heating

The specified output power of the driver totals 2W (1W per channel). This typically suffices to drive a 100A/1200V six-pack IGBT module with 25kHz. In the case of a drive power of 2W, the typical input power of the driver is about 2.33W; the losses due to the driver total about 0.33W. Because CONCEPT cannot predict how the drivers will be incorporated in the user's application, no binding recommended value for self-heating and thus for the maximum useful output power at high ambient temperatures can be made. It is consequently recommended to check the self-heating of the system, especially when it is used at higher temperatures.

For the calculation of the exact output power, reference should be made to Application Note AN-9701 "IGBT drivers correctly calculated" from CONCEPT.

Collector sense and dimensioning of Rth



The 2SD106AI-17 dual driver has a collector-sense circuit to protect the power semiconductors. It is shown in Fig. 4

Its basic operating mode can be obtained from the brochure entitled: "Description and Application Manual for Scale Drivers".

To correspond more effectively to the turn-on characteristic of

Fig. 4 Collector-sense circuit principle

the IGBTs, the SCALE drivers do not use a static reference voltage to compare the voltage at the collector. Instead, the reference is used as shown in Fig. 5.

Value Rth	Reaction time	Vth1	Vth2	V _{CE(off)}
22k	≈ 4.9μs	≈ 4.8V	≈ 3.2V	2.35V (1 Diode)
27k	≈ 5.7μs	≈ 5.6V	≈ 3.9V	3.05V (1 Diode)
33k	≈ 6.8μs	≈ 6.5V	≈ 4.7V	3.25V (2 Diodes)
39k	≈ 7.6μs	≈ 7.3V	≈ 5.6V	4.15V (2 Diodes)
47k	≈ 9μs	≈ 8.4V	≈ 6.8V	5.35V (2 Diodes)

Table 1 Reference resistor, reaction time and turn-off threshold

Notes on Table 1

The values for "Vth1" and "Vth2" are listed in Table 1 as a function of the reference resistance Rth.

The value in the "Vth1" column corresponds to the voltage threshold after the response time has elapsed.

The value in the "Vth2" column corresponds to the voltage which is set up statically across the resistor Rth. This static value is typically reached after between 10 and 15 μs.

Data Sheet 2SD106AI-17

The value in the “ $V_{CE(off)}$ ” column corresponds to the collector-emitter voltage value at which the protection function is activated when the external circuit is used as shown in Fig. 4 with one or two Dm diodes of type 1N4007 connected in series.

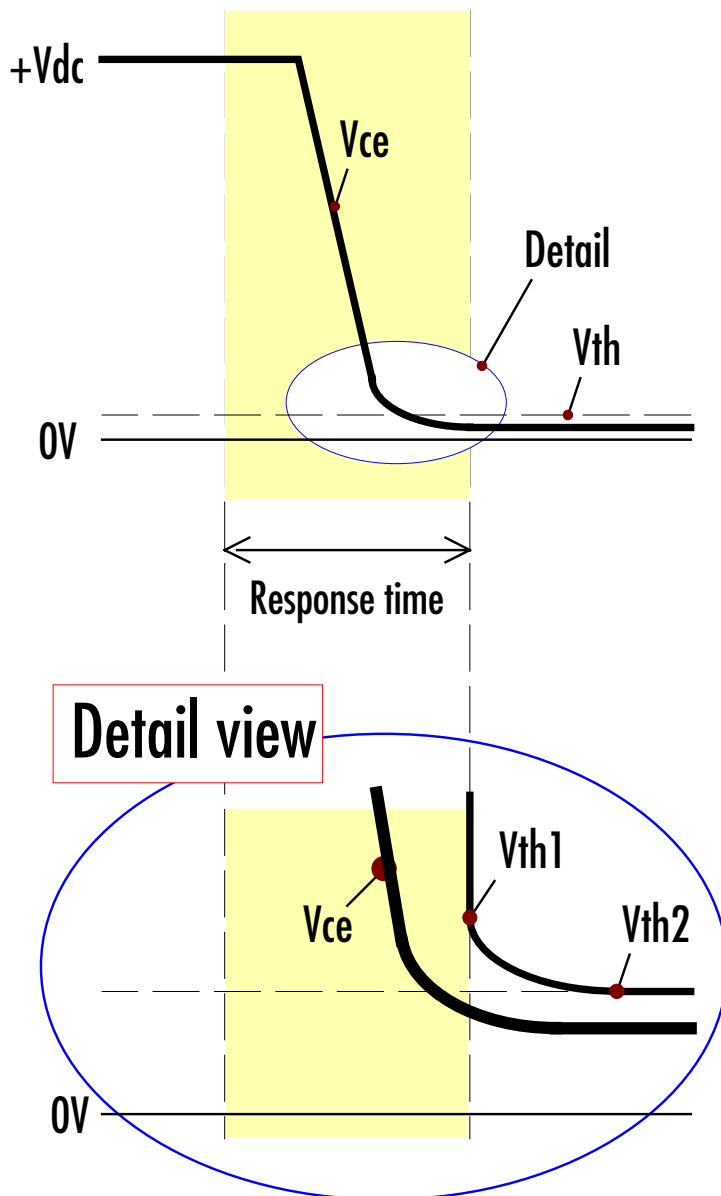


Fig. 5 Collector-sense voltage curve

The really fast variant: evaluation boards

CONCEPT offers a wide range of evaluation boards to introduce users quickly to the sector of IGBT technology and to the protection concept used with SCALE drivers. These boards represent completely built up and tested current-inverter circuits in the power range from 10 kW to over 1000 kW and contain the power semiconductors (IGBTs), a driver card with correctly matched drivers and the link-circuit capacitors. The power sections are designed with very low inductance.

Together with the documentation supplied, these evaluation boards can be used to create prototype equipment that is ready to use within a matter of hours. You are invited to request an overview of the available evaluation boards.

If you need any help, simply call our technical support

CONCEPT offers you expert help for your questions and problems:

E-Mail: support@ct-concept.com or on the Internet: www.CT-CONCEPT.com

Fax international ++41 32 / 322 22 51 (in Switzerland: 032 / 322 22 51)

Tel international ++41 32 / 322 42 36 (in Switzerland: 032 / 322 42 36)

Quite special: customized SCALE drivers

If you need a power MOSFET or IGBT driver that is not included in the delivery range, don't hesitate to contact CONCEPT or your CONCEPT sales partner.

CONCEPT engineers have more than 15 years experience in the development and manufacture of intelligent drivers for power MOSFETs and IGBTs and have already implemented a large number of customized solutions.

Exclusion Clause

CONCEPT reserves the right to make modifications to its technical data and product specifications at any time without prior notice. The general terms and conditions of delivery of CT-Concept Technology Ltd. apply.

Data Sheet 2SD106AI-17

Ordering Information**Dual SCALE driver with $\pm 6A$ gate current / $\pm 15V$ gate voltage**

Industry version (-40...+85°C) 2SD106AI-17

Additional Products and Information**Drivers for high isolation voltages (i.e. railroad applications)**

Please request further information

Other intelligent drivers (Half-bridge drivers, Six-pack drivers etc.)

Please ask for following overviews from CONCEPT (also to be found on the Internet):

"Overview of Intelligent Drivers Standard Program"

"Overview of SCALE Drivers"

Evaluation boards

Please ask for following overview from CONCEPT (also to be found on the Internet):

"Overview and Price List of Evaluation-Boards"

Manufacturer**Your Distribution Partner**

CT-Concept Technology Ltd.
Intelligent Power Electronics
Hauptstrasse 3
CH-2533 Leubringen / Evilard
(Switzerland)

Tel ++41 (0)32 / 322 42 36
Fax ++41 (0)32 / 322 22 51
E-Mail info@ct-concept.com
Internet www.CT-CONCEPT.com
Internet www.IGBT-Driver.com

© Copyright 1998, 1999 by CT-Concept Technology Ltd. - Switzerland.
We reserve the right to make any technical modifications without prior notice.

All rights reserved.
Version from 26.05.99