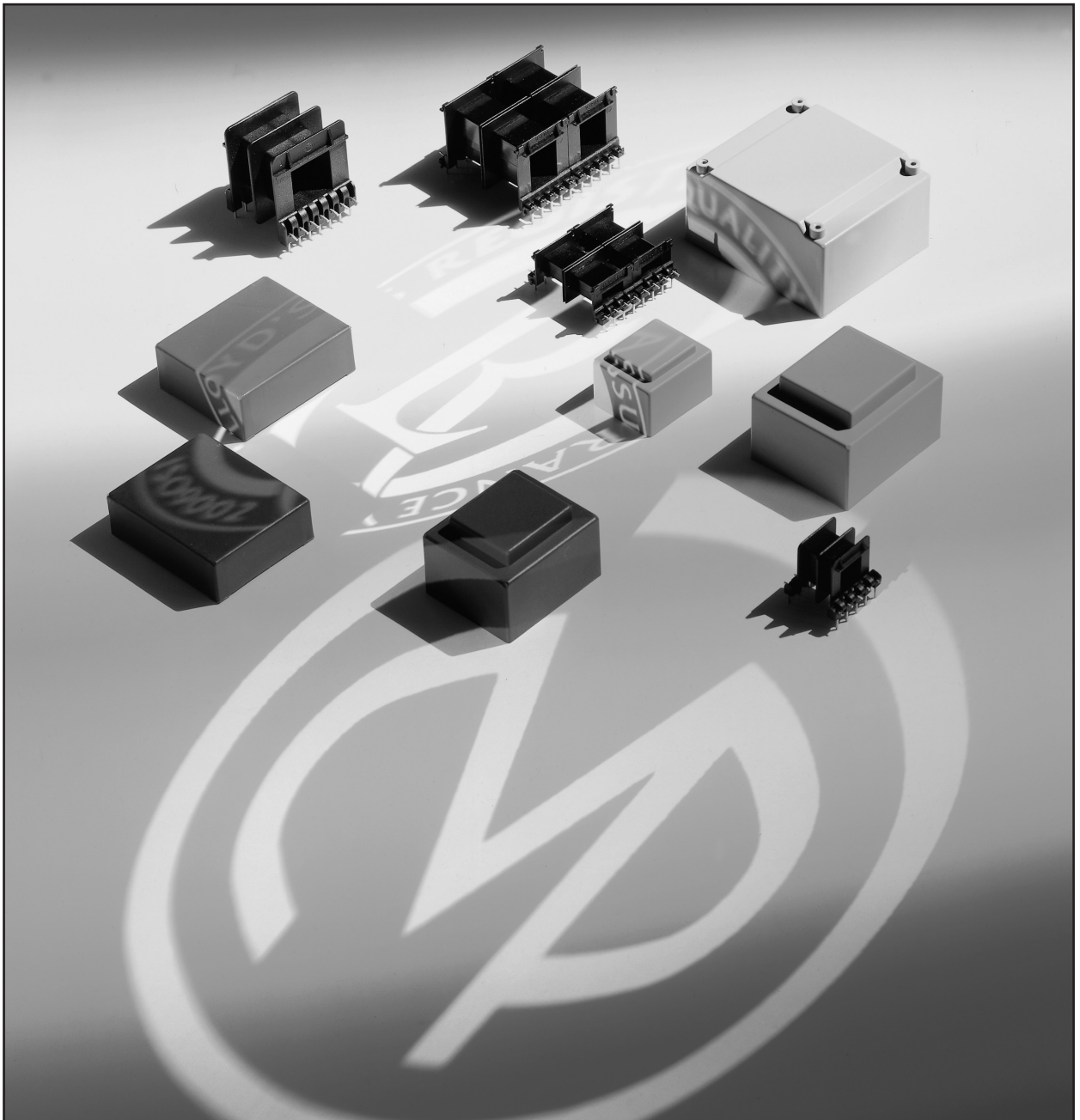




ENCAPSULATED BOBBINS

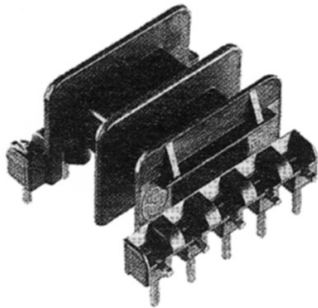
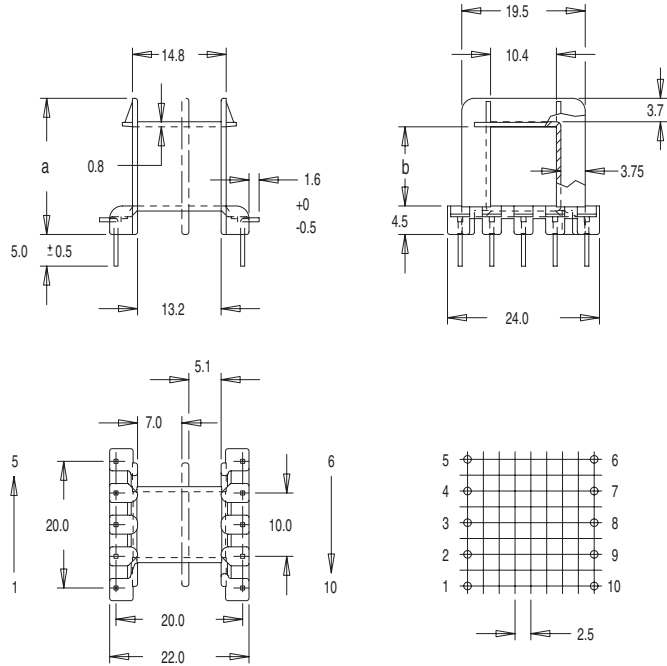
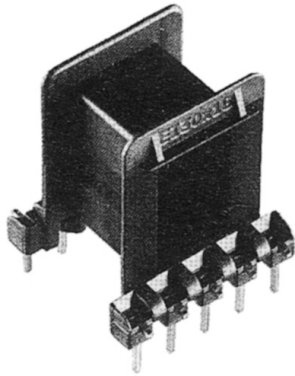
- Low Profile 'N' and 'U' series recently introduced
- Precision Winding Lead in slots
- Strong termination geometry
- Volume production capability
- High Performance benefits at competitive prices





N Range

EI 30 LOW PROFILE



Section 4

Bobbin size	Type	No. of pins available	a	b	Pin size	Core Material	Frame VA [†]	Part No.
EI 30 x 5.0	SS	10 (2 x 5)	14.1	5.1	0.635 Sq.	800-50	0.7	N30051
EI 30 x 5.0	DS	10 (2 x 5)	14.1	5.1	0.635 Sq.			N30052
EI 30 x 10.5	SS	10 (2 x 5)	19.5	10.5	0.635 Sq.	800-50	1.4	N30101
EI 30 x 10.5	DS	10 (2 x 5)	19.5	10.5	0.635 Sq.			N30102
EI 30 x 12.5	SS	10 (2 x 5)	21.5	12.5	0.635 Sq.	800-50	1.5	N30121
EI 30 x 12.5	DS	10 (2 x 5)	21.5	12.5	0.635 Sq.			N30122
EI 30 x 15.5	SS	10 (2 x 5)	24.5	15.5	0.635 Sq.	800-50	1.7	N30151
EI 30 x 15.5	DS	10 (2 x 5)	24.5	15.5	0.635 Sq.			N30152
EI 30 x 18.0	SS	10 (2 x 5)	27.0	18.0	0.635 Sq.	800-50	2.1	N30181
EI 30 x 18.0	DS	10 (2 x 5)	27.0	18.0	0.635 Sq.			N30182

Standard materials: Nylon 66 glass reinforced / Nylon 66 glass reinforced to UL94V0 Pin material: Phosphor Bronze Dimensions in millimetres
[†]Refer to VA Ratings - Section 9 Page 2.

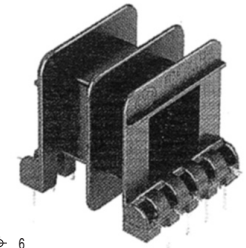
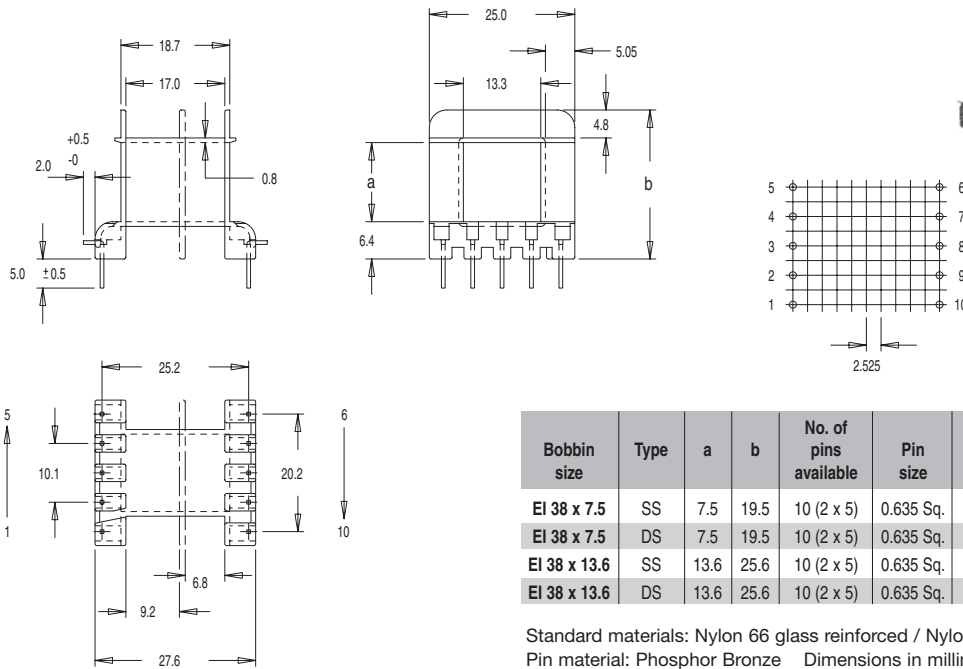
For further technical information please contact sales
 Tel: +44 (0) 116 262 2593 Fax: +44 (0) 116 253 7889



N Range

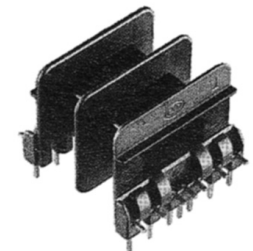
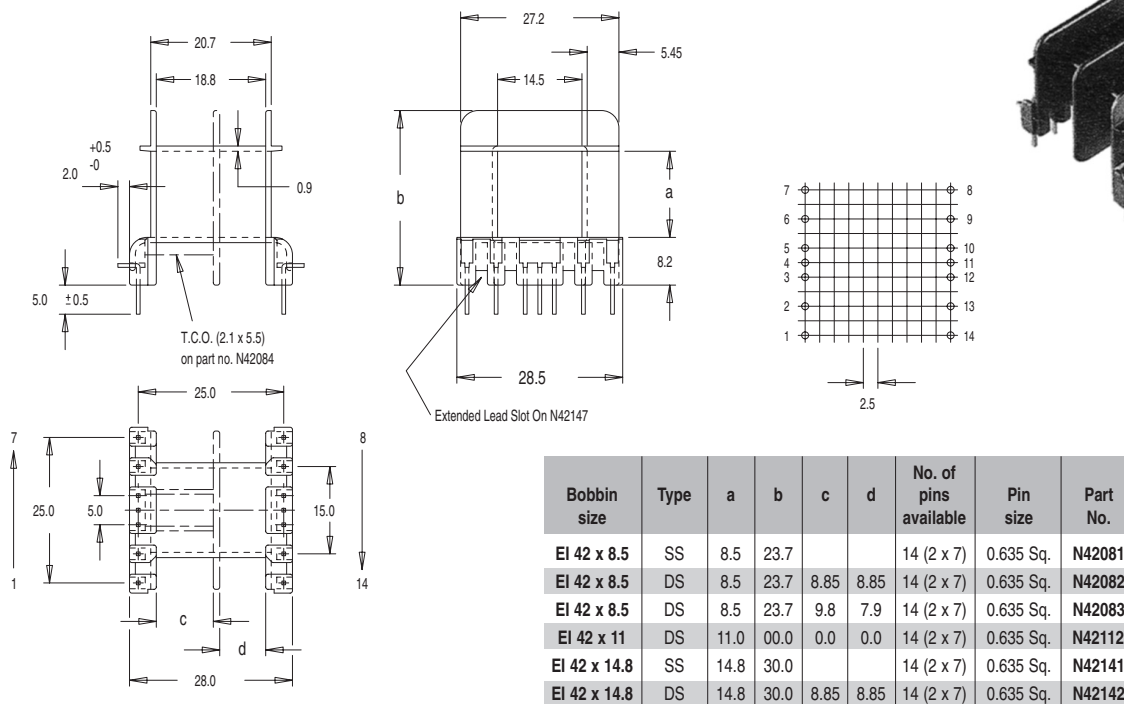
MILES · PLATTS

EI 38 LOW PROFILE



Section 4

EI 42 LOW PROFILE



Most products are available direct from stock with same day despatch - please contact sales for details

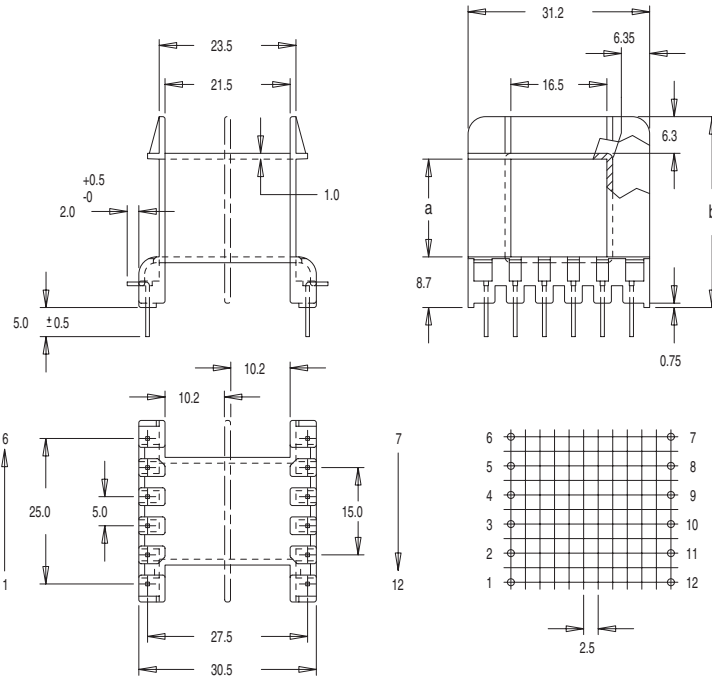
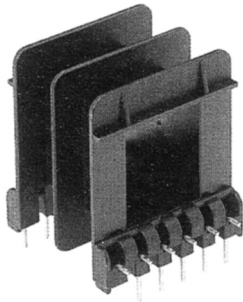
Section 4

3



N Range

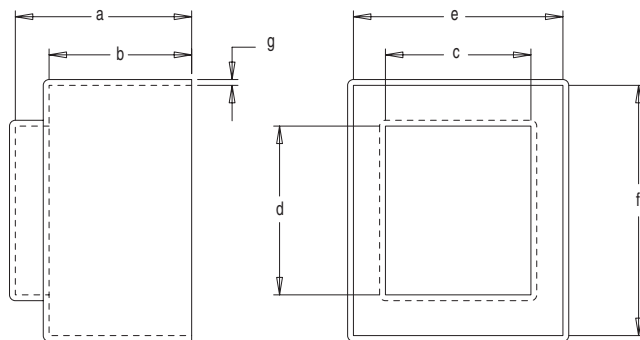
EI 48 LOW PROFILE



Bobbin size	Type	a	b	No. of pins available	Pin size	Part No.
EI 48 x 16.8	SS	16.8	32.8	12 (2 x 6)	0.635 Sq.	N48161
EI 48 x 16.8	DS	16.8	32.8	12 (2 x 6)	0.635 Sq.	N48162
EI 48 x 20.5	SS	20.5	36.5	12 (2 x 6)	0.635 Sq.	N48201
EI 48 x 20.5	DS	20.5	36.5	12 (2 x 6)	0.635 Sq.	N48202

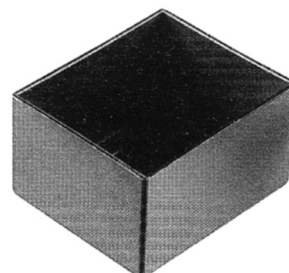
Standard materials: Nylon 66 glass reinforced / Nylon 66 glass reinforced to UL94V0 Pin material: Phosphor Bronze Dimensions in millimetres

EI 30/38/42/48/54 BOXES



Bobbin size	a	b	c	d	e	f	g	Part No.
EI 30 x 5.0	14.5	10.9	18.6	22.0	25.7	30.7	0.8	N30059
EI 30 x 10.5	20.5	16.9	18.6	22.0	25.7	30.7	0.8	N30109
EI 30 x 12.5	22.5	18.9	18.6	22.0	25.7	30.7	0.8	N30129
EI 30 x 15.5	25.5	21.9	18.6	22.0	25.7	30.7	0.8	N30159
EI 30 x 18.0	28.0	24.4	18.6	22.0	25.7	30.7	0.8	N30189
EI 38 x 7.5	20.1	14.6	22.5	27.0	32.8	39.2	1.0	N38079
EI 38 x 13.6	26.2	20.9	22.5	27.0	32.8	39.2	1.0	N38139
EI 42 x 8.5	24.2	18.2	25.0	29.0	36.0	43.0	1.0	N42089
EI 42 x 14.8	30.5	24.5	25.0	29.0	36.0	43.0	1.0	N42149
EI 48 x 16.8	33.4	26.4	29.3	33.3	40.9	48.9	1.0	N48169
EI 48 x 20.5	37.1	30.1	29.3	33.3	40.9	48.9	1.0	N48209
EI 54 x 18.8	38.0	31.0	30.7	35.8	45.5	54.5	0.8	N54189

Standard materials: Nylon 66 / Nylon 66 to UL94V0 Dimensions in millimetres



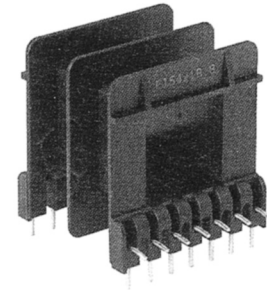
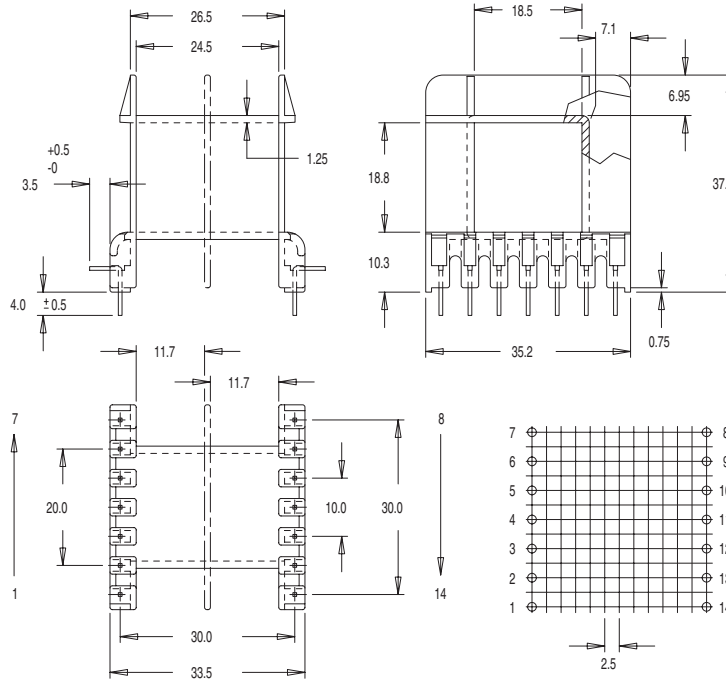
Miles-Platts terminals & wire are now being converted to lead-free - please refer to technical sales for details



N Range

MILES · PLATTS

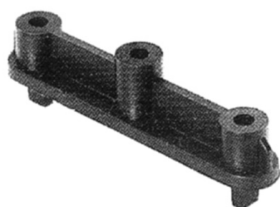
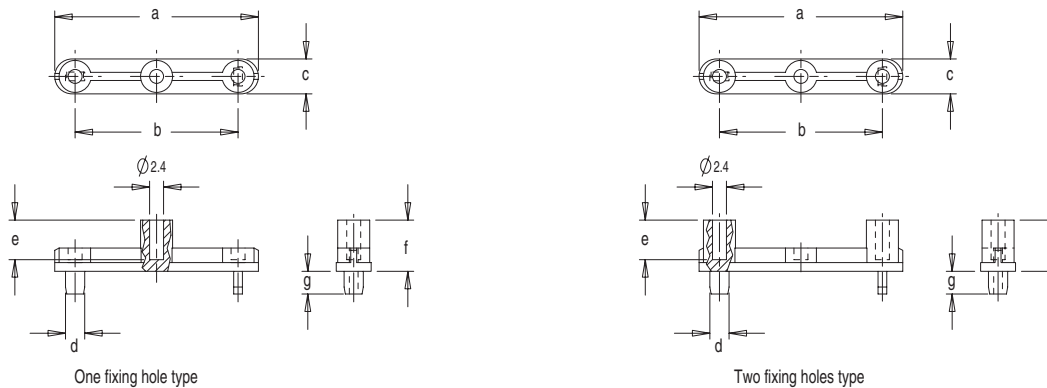
EI 54 LOW PROFILE



Bobbin size	Type	No. of pins available	Pin size	Part No.
EI 54 x 18.8	SS	14 (2 x 7)	0.635 Sq.	N54181
EI 54 x 18.8	DS	14 (2 x 7)	0.635 Sq.	N54182

Standard materials: Nylon 66 glass reinforced / Nylon 66 glass reinforced to UL94V0
Pin material: Phosphor Bronze
Dimensions in millimetres

EI 42/48/54 BASE FIXTURES



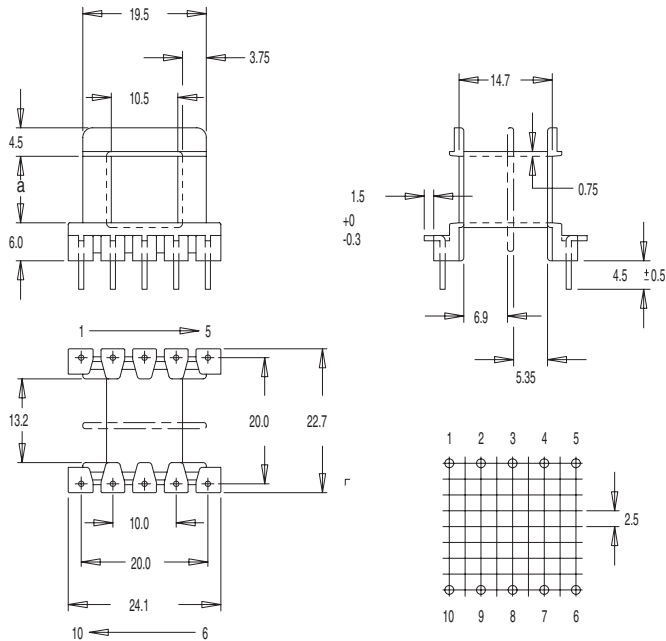
Bobbin size	No. of fixing holes	a	b	c	d	e	f	g	Part No.
EI 42	1	35.0	28.0	6.0	3.3	7.1	8.8	3.9	N42000
EI 42	2	35.0	28.0	6.0	3.3	7.1	8.8	3.9	N42001
EI 48	1	40.0	32.0	7.0	3.3	6.9	8.5	4.0	N48000
EI 48	2	40.0	32.0	7.0	3.3	6.9	8.5	4.0	N48001
EI 54	1	44.0	36.0	8.0	3.4	9.5	10.4	4.0	N54000
EI 54	2	44.0	36.0	8.0	3.4	9.5	10.4	4.0	N54001

Standard materials: Nylon 66 glass reinforced / Nylon 66 glass reinforced to UL94V0
Dimensions in millimetres

Miles-Platts are technical moulders - we manufacture more than bobbins - please contact sales for details



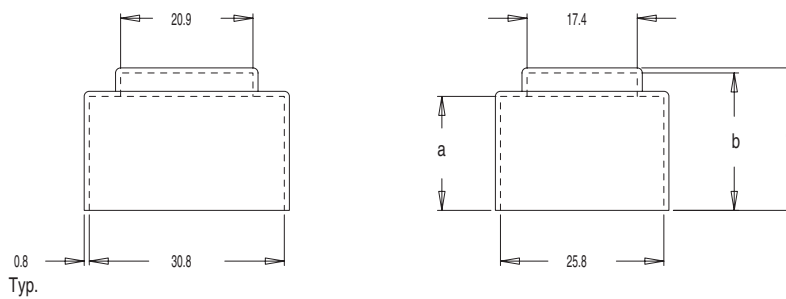
EI 30 (ROUND WIRE)



Bobbin size	Type	No. of pins available	Pin type	a	Part No.
EI 30 x 10.5	SS	10 (2 x 5)	Ø0.8	10.5	M00250
EI 30 x 10.5	DS	10 (2 x 5)	Ø0.8	10.5	M00260
EI 30 x 12.5	SS	10 (2 x 5)	Ø0.8	12.5	M00450
EI 30 x 12.5	DS	10 (2 x 5)	Ø0.8	12.5	M00460
EI 30 x 15.5	SS	10 (2 x 5)	Ø0.8	15.5	M00650
EI 30 x 15.5	SS	10 (2 x 5)	Ø0.8	15.5	M00660
EI 30 x 18.0	SS	10 (2 x 5)	Ø0.8	18.0	M00850
EI 30 x 18.0	DS	10 (2 x 5)	Ø0.8	18.0	M00860

Standard materials: Nylon 66 glass reinforced /
Nylon 66 glass reinforced to UL94V0
Dimensions in millimetres

EI 30 BOXES (FOR ROUND WIRE BOBBINS)



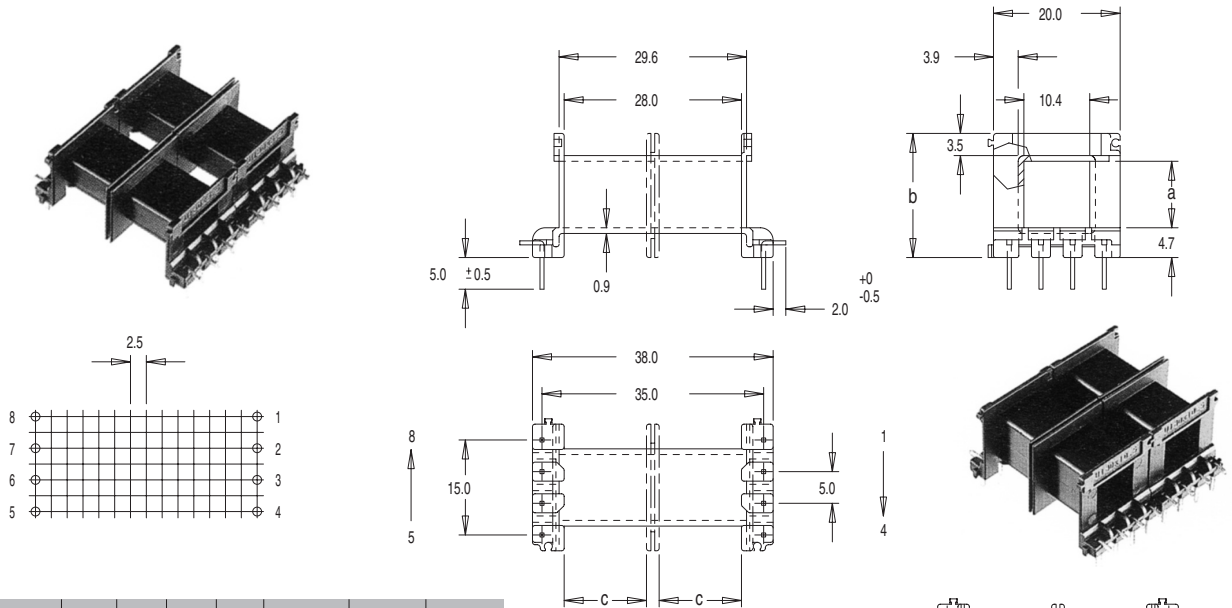
Box size	a	b	c	Part No.
EI 30 x 10.5	18.0	21.7	22.5	M00290
EI 30 x 12.5	20.0	23.7	24.5	M00490
EI 30 x 15.5	23.1	26.8	27.6	M00690
EI 30 x 18.0	25.6	29.3	30.1	M00890

Standard materials: Nylon 66 / Nylon 66 to UL94V0
Dimensions in millimetres



U Range

UI 30 SERIES

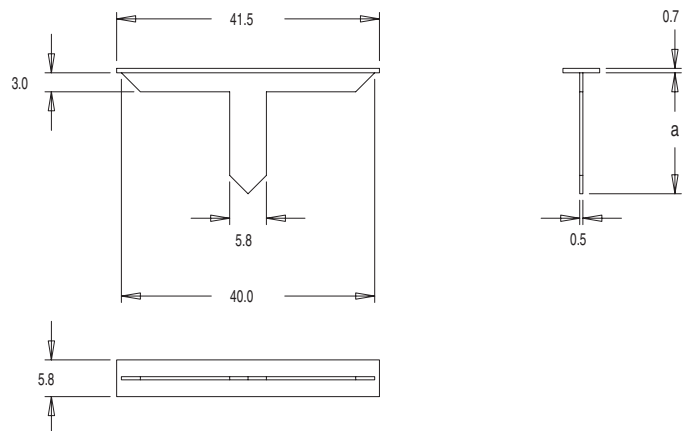


Bobbin size	Type	a	b	c	No. of pins available	Pin size	Part No.
UI 30 x 5.5	SDS	5.5	14.6	13.0	8 (2 x 4)	0.635 Sq.	U30051
UI 30 x 5.5	SS	5.5	14.6		8 (2 x 4)	0.635 Sq.	U30056
UI 30 x 7.5	SDS	7.5	16.6	13.0	8 (2 x 4)	0.635 Sq.	U30071
UI 30 x 7.5	SS	7.5	16.6		8 (2 x 4)	0.635 Sq.	U30076
UI 30 x 10.5	SDS	10.5	19.6	13.0	8 (2 x 4)	0.635 Sq.	U30101
UI 30 x 10.5	SS	10.5	19.6		8 (2 x 4)	0.635 Sq.	U30106
UI 30 x 16.5	SDS	16.5	25.6	13.0	8 (2 x 4)	0.635 Sq.	U30161
UI 30 x 16.5	SS	16.5	25.6		8 (2 x 4)	0.635 Sq.	U30166

Standard materials: Nylon 66 glass reinforced / Nylon 66 glass reinforced to UL94V0
Pin material: Phosphor Bronze Dimensions in millimetres

Showing bobbins assembled.

UI 30 T-PIECE



Bobbin size	a	Part No.
UI 30 x 5.5	14.1	U30058
UI 30 x 7.5	16.1	U30078
UI 30 x 10.5	19.1	U30108
UI 30 x 16.5	25.1	U30168

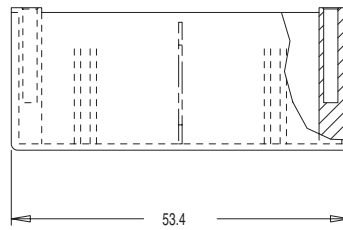
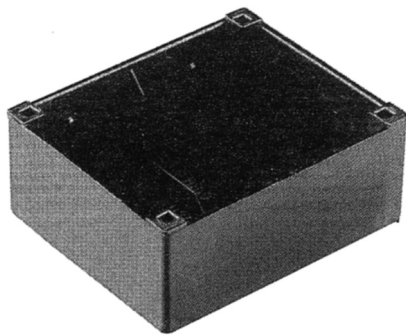
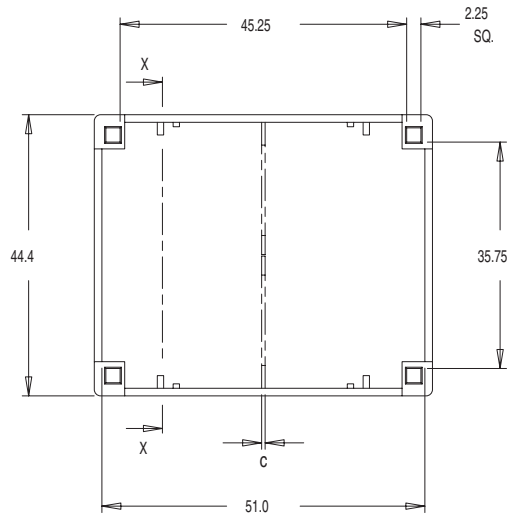
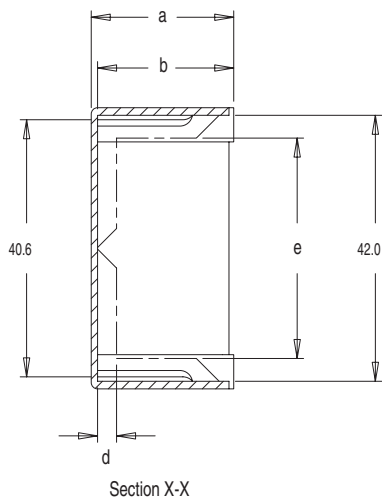
Standard materials: Nylon 66 / Nylon 66 to UL94V0 Dimensions in millimetres

For further technical information please contact
sales@milesplatts.co.uk or www.milesplatts.co.uk



U Range

UI 30 BOXES



Bobbin size	Description	a	b	c	d	e	Part No.
UI 30 x 5.5	Box	17.5	16.5				U30057
UI 30 x 5.5	Box with rib	17.5	16.5	0.55	3.0	34.8	U30059
UI 30 x 7.5	Box	19.5	18.5				U30077
UI 30 x 7.5	Box with rib	19.5	18.5	0.55	3.0	34.8	U30079
UI 30 x 10.5	Box	22.5	21.5				U30107
UI 30 x 10.5	Box with rib	22.5	21.5	0.55	3.0	34.8	U30109
UI 30 x 16.5	Box	28.5	27.5				U30167
UI 30 x 16.5	Box with rib	28.5	27.5	0.55	3.0	34.8	U30169

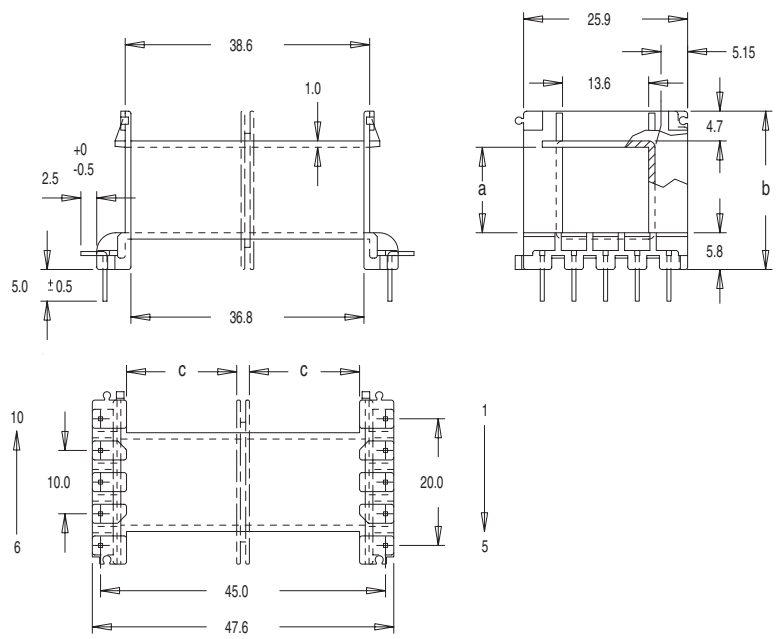
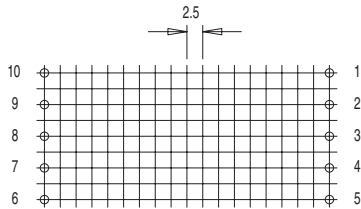
Standard materials: Nylon 66 / Nylon 66 to UL94V0 Dimensions in millimetres

For further technical information please contact sales
Tel: +44 (0) 116 262 2593 Fax: +44 (0) 116 253 7889

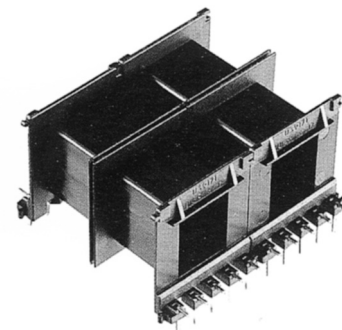


U Range

UI 39 SERIES



Bobbin size	Type	a	b	c	No. of pins available	Pin size	Part No.
UI 39 x 8	SDS	8.1	19.6	17.4	10 (2 x 5)	0.635 Sq.	U39081
UI 39 x 8	SS	8.1	19.6		10 (2 x 5)	0.635 Sq.	U39086
UI 39 x 10.2	SDS	10.2	21.7	17.4	10 (2 x 5)	0.635 Sq.	U39101
UI 39 x 10.2	SS	10.2	21.7		10 (2 x 5)	0.635 Sq.	U39106
UI 39 x 13.5	SDS	13.5	25.0	17.4	10 (2 x 5)	0.635 Sq.	U39131
UI 39 x 13.5	SS	13.5	25.0		10 (2 x 5)	0.635 Sq.	U39136
UI 39 x 17	SDS	17.0	28.5	17.4	10 (2 x 5)	0.635 Sq.	U39171
UI 39 x 17	SS	17.0	28.5		10 (2 x 5)	0.635 Sq.	U39176
UI 39 x 21	SDS	21.0	32.5	17.4	10 (2 x 5)	0.635 Sq.	U39211
UI 39 x 21	SS	21.0	32.5		10 (2 x 5)	0.635 Sq.	U39216

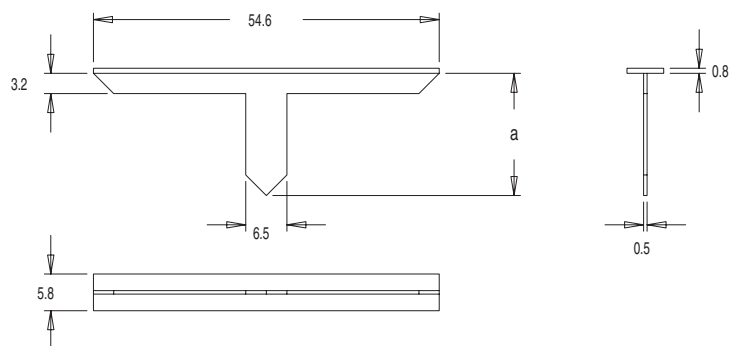


Standard materials: Nylon 66 glass reinforced / Nylon 66 glass reinforced to UL94V0
Pin material: Phosphor Bronze Dimensions in millimetres

UI 39 T-PIECE



Bobbin size	a	Part No.
UI 39 x 8	19.3	U39088
UI 39 x 10.2	21.4	U39108
UI 39 x 13.5	24.7	U39138
UI 39 x 17	28.2	U39178
UI 39 x 21	32.2	U39218



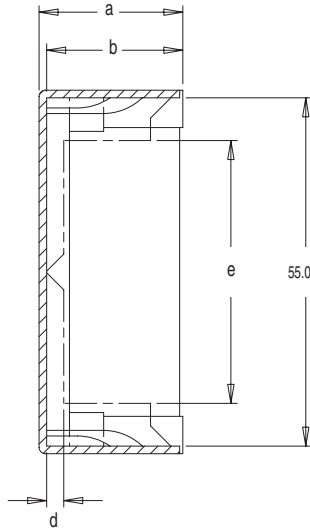
Standard materials: Nylon 66 / Nylon 66 to UL94V0 Dimensions in millimetres

Most products are available direct from stock with same day despatch
- please contact sales for details

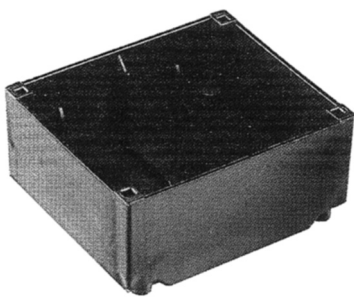
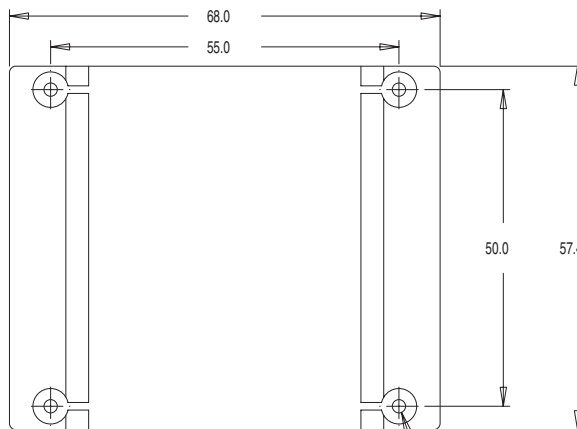
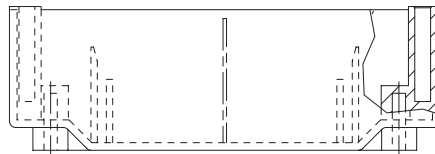
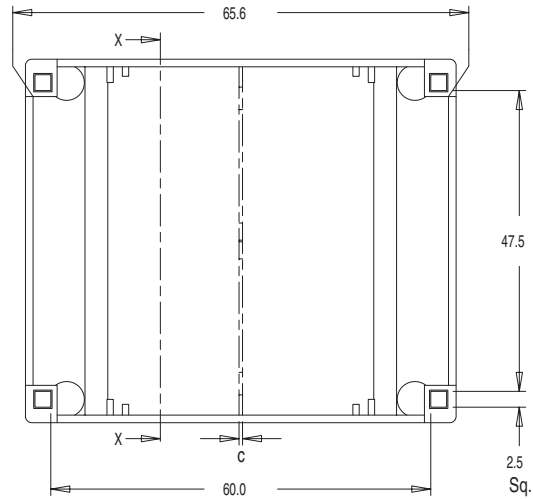


U Range

UI 39 BOXES



Section X-X



Bobbin size	Description	a	b	c	d	e	Part No.
UI 39 x 8	Box	22.7	21.5				U39087
UI 39 x 8	Box with rib	22.7	21.5	0.55	3.2	45.5	U39089
UI 39 x 10.2	Box	24.8	23.6				U39107
UI 39 x 10.2	Box with rib	24.8	23.6	0.55	3.2	45.5	U39109
UI 39 x 13.5	Box	28.1	26.9				U39137
UI 39 x 13.5	Box with rib	28.1	26.9	0.55	3.2	45.5	U39139
UI 39 x 17.0	Box	31.6	30.4				U39177
UI 39 x 17.0	Box with rib	31.6	30.4	0.55	3.2	45.5	U39179
UI 39 x 21.0	Box	35.6	34.4				U39217
UI 39 x 21.0	Box with rib	35.6	34.4	0.55	3.2	45.5	U39219

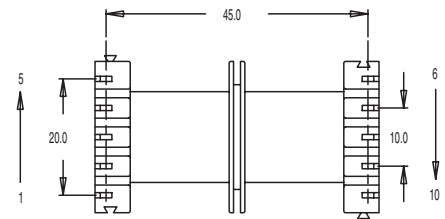
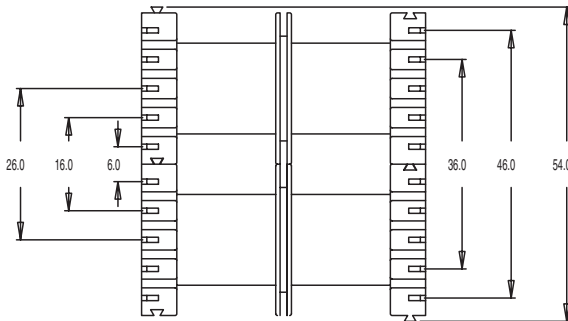
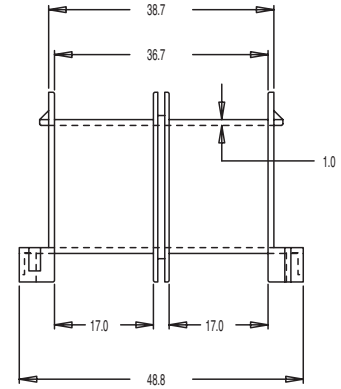
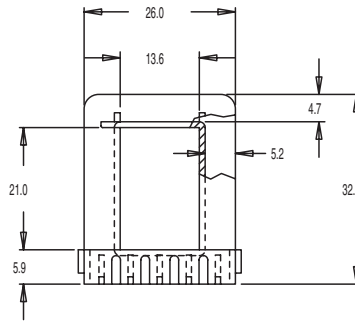
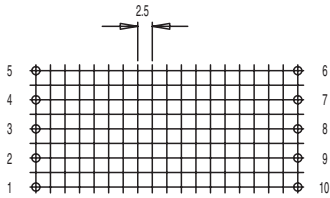
Standard materials: Nylon 66 / Nylon 66 to UL94V0 Dimensions in millimetres

Miles-Platts terminals & wire are now being converted to lead-free
- please refer to technical sales for details



U Range

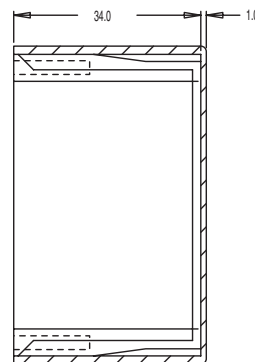
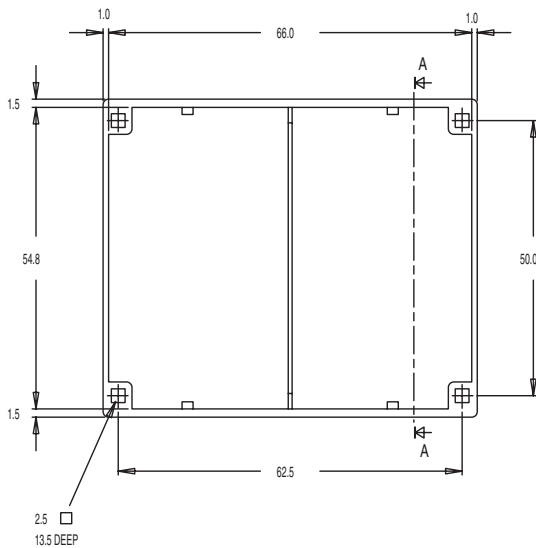
UI 39 X 21



Bobbin size	Type	No. of terminals available	Terminal type	Part No.
UI 39 x 21	DS	10 (2 x 5)	TBS 600 Series	UI2500

Standard materials: Nylon 66 glass reinforced to UL94V0
Dimensions in millimetres

UI 39 X 21 BOX



Section A-A

Box size			Part No.
UI 39 x 21			UI2510

Standard materials: Nylon 66 glass reinforced to UL94V0
Dimensions in millimetres



MILES · PLATTS

“ We aim to satisfy and service the ever changing needs of our customers. ”

“ Wir streben danach, die sich ständig ändernden Bedürfnisse unserer Kunden zu befriedigen. ”

“ Nous cherchons à satisfaire et répondre aux besoins toujours changeant de nos clients. ”

“ Nuestro propósito es satisfacer y mantener un servicio para las demandas siempre cambiantes de nuestros clientes. ”