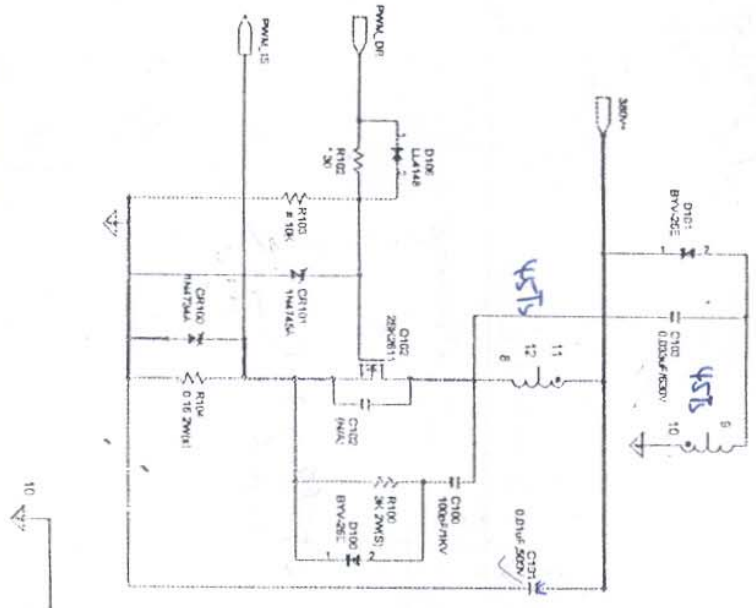


Resistor (Power Rating)  
 1/4W & 1/2W - @  
 1/8W & 0.805 - \*  
 1/10W & 0.603 - #



T1220  
 RL-2A

240V

