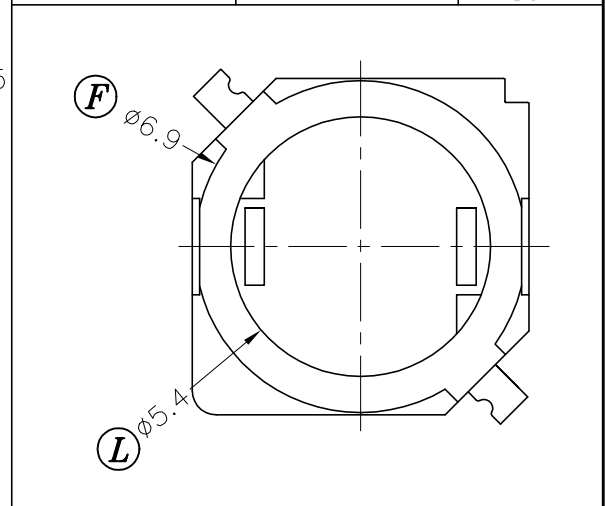
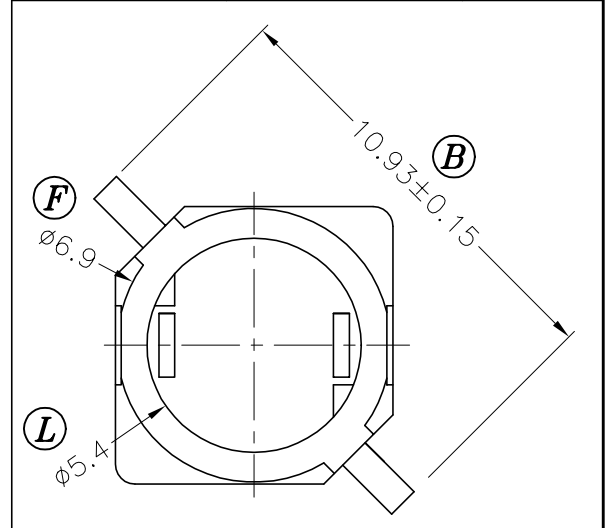


DRAWING NO.	MATERIAL:	ORIGIN:
SB-004-2	LCP E4008	DG



DRAWING NO.	MATERIAL:	ORIGIN:
SB-004-1	LCP E4008	DG



REV.	REVISIONS	REC.	REV.	REVISIONS	REC.
1	(I) 0.8	->0.92			
2	(L) φ5.4	->φ5.5	(F) φ6.9	->φ7.0	

DRAWN & DRAFTED BY ZY-LIU	TOLERANCES		ANGLE:	TITLE:	
	0<L≤4 ±0.1	COPLANARITY	±1°	SMD BASE 7.0X7.0X0.5	
CHECKED & APPROVED BY LONG HONG JUN	4<L≤16 ±0.2	0.1 MAX	UNIT:	BOBBIN MATERIAL:	UL REC.
	16<L≤63 ±0.3		MM	LCP E4008	UL 94V-0
PIN SHINE INDUSTRIAL CO.,LTD. TEL:886-2-22990545 FAX:886-2-22990546			ORIGIN:	PIN MATERIAL:	PIN TENSION LOAD:
			DG	PHOSPHOR BRONZE	1.5KG MIN
			DATE:	DRAWING NO.	REV.
			AUG.07 '2001	SB-004	2