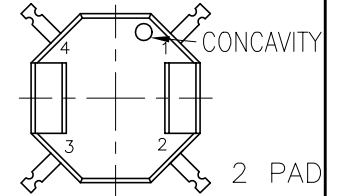
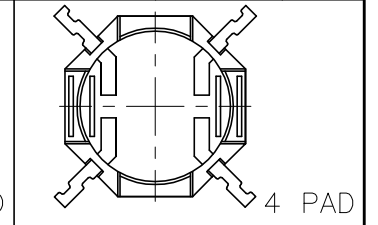
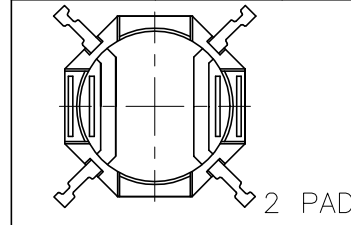


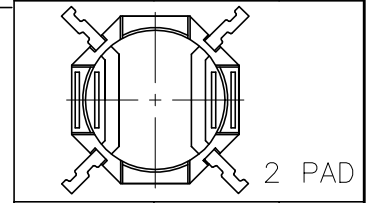
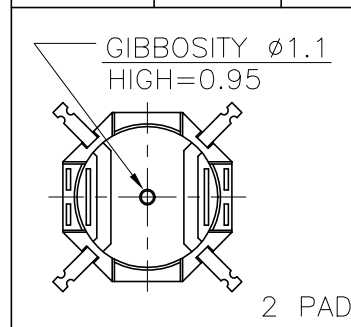
DRAWING NO.	MATERIAL:	ORIGIN:
SB-010-7	LCP E4008	DG



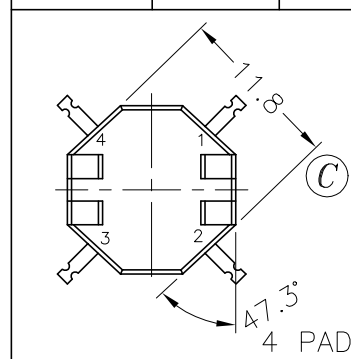
DRAWING NO.	MATERIAL:	ORIGIN:	DRAWING NO.	MATERIAL:	ORIGIN:
SB-010-11	LCP E4008	DG	SB-010-6	LCP E4008	DG SZ



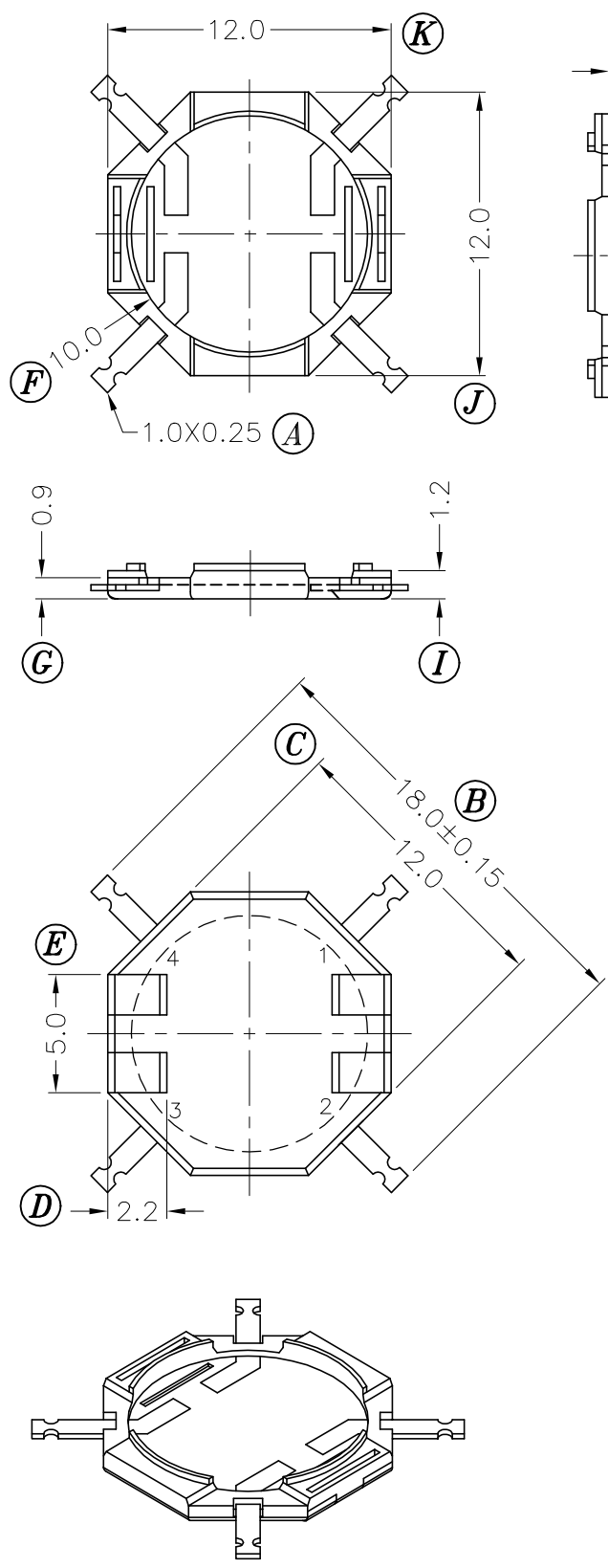
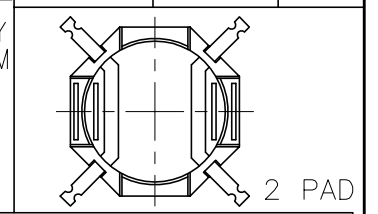
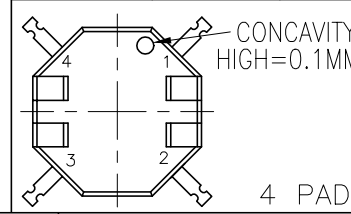
DRAWING NO.	MATERIAL:	ORIGIN:	DRAWING NO.	MATERIAL:	ORIGIN:
SB-010-10	LCP E4008	DG	SB-010-4	LCP E4008	DG SZ



DRAWING NO.	MATERIAL:	ORIGIN:	DRAWING NO.	MATERIAL:	ORIGIN:
SB-010-9	LCP E4008	DG	SB-010-3	LCP E4008	DG SZ



DRAWING NO.	MATERIAL:	ORIGIN:	DRAWING NO.	MATERIAL:	ORIGIN:
SB-010-8	LCP E4008	DG	SB-010-2	LCP E4008	DG SZ



REV.	REVISIONS	REC.	REV.	REVISIONS	REC.

DRAWN & DRAFTED BY	SHANG LAN	TOLERANCES		ANGLE:	TITLE:	
		0<L≤4 ±0.1	COPLANARITY	±1°	SMD BASE SM-CDRH124	
CHECKED & APPROVED BY	JOHN RONG	4<L≤16 ±0.2	0.1 MAX	UNIT:	BOBBIN MATERIAL:	UL REC.
		16<L≤63 ±0.3		MM	LCP E4008	UL 94V-0
				ORIGIN:	PIN MATERIAL:	PIN TENSION LOAD:
				DG SZ	PHOSPHOR BRONZE	1.5KG MIN
					DATE:	DRAWING NO.
					APR.11 '2000	SB-010
						REV.
						0



PIN SHINE INDUSTRIAL CO.,LTD.
 TEL:886-2-22990545 FAX:886-2-22990546