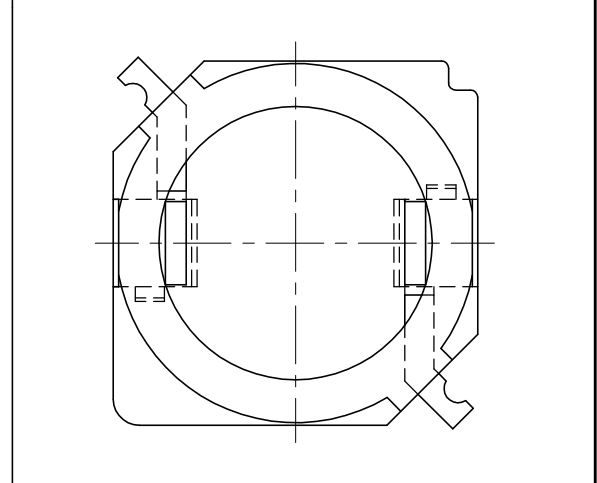


| | | |
|-------------|-----------|---------|
| DRAWING NO. | MATERIAL: | ORIGIN: |
| SB-018-1 | LCP E4008 | DG |



| | | | | | |
|------|-----------|------|------|-----------|------|
| REV. | REVISIONS | REC. | REV. | REVISIONS | REC. |
| | | | | | |
| | | | | | |

| | | | | | |
|---|------------------|------------------------|-----------|--------------------|---------|
| DRAWN & DRAFTED BY JACKY XING | TOLERANCES | | ANGLE: | TITLE: | |
| | 0 < L ≤ 4 ±0.1 | COPLANARITY 0.1 MAX | ±1° | SMD BASE 10X10X0.5 | |
| CHECKED & APPROVED BY LONG HONG JUN | 4 < L ≤ 16 ±0.2 | | UNIT: | BOBBIN MATERIAL: | UL REC. |
| | 16 < L ≤ 63 ±0.3 | MM | LCP E4008 | UL 94V-0 | |
| PIN SHINE INDUSTRIAL CO., LTD. TEL:886-2-22990545 FAX:886-2-22990546 | ORIGIN: | PIN MATERIAL: | | PIN TENSION LOAD: | |
| | DG | PHOSPHOR BRONZE | | 1.5KG MIN | |
| | DATE: | DRAWING NO. | REV. | | |
| | FEB.06 '2001 | SB-018 | 0 | | |