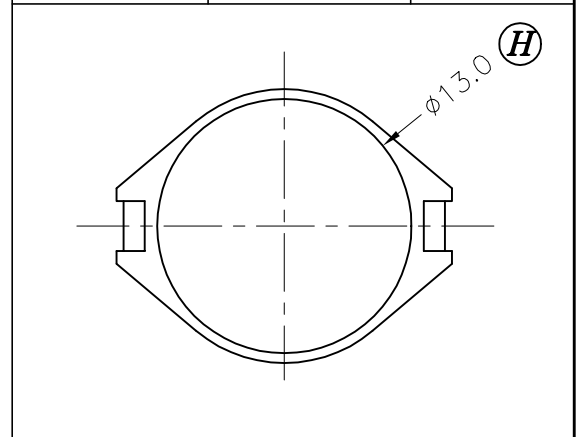


DRAWING NO.	MATERIAL:	ORIGIN:
SB-019-1	PM 9630	DG



REV.	REVISIONS	REC.	REV.	REVISIONS	REC.
1	ADD A NOTE AND A 3D VIEW OF TERMINAL.				
2	ADD AN ASSEMBLE VIEW AND CORRECT SOME DIMENSIONS.				

DRAWN & DRAFTED BY HARRY LIU	TOLERANCES		ANGLE:	TITLE:	
	0<L≤4 ±0.1	pin pitch	±1°	SMD BASE CO-D05022	
CHECKED & APPROVED BY JOHN RONG	4<L≤16 ±0.2		UNIT:	BOBBIN MATERIAL:	UL REC.
	16<L≤63 ±0.3		MM	LCP E4008	UL 94V-0
PIN SHINE INDUSTRIAL CO., LTD. TEL:886-2-22990545 FAX:886-2-22990546			ORIGIN:	PIN MATERIAL:	PIN TENSION LOAD:
			DG	PHOSPHOR BRONZE	
			DATE:	DRAWING NO.	REV.
			AUG.14 '2001	SB-019	2