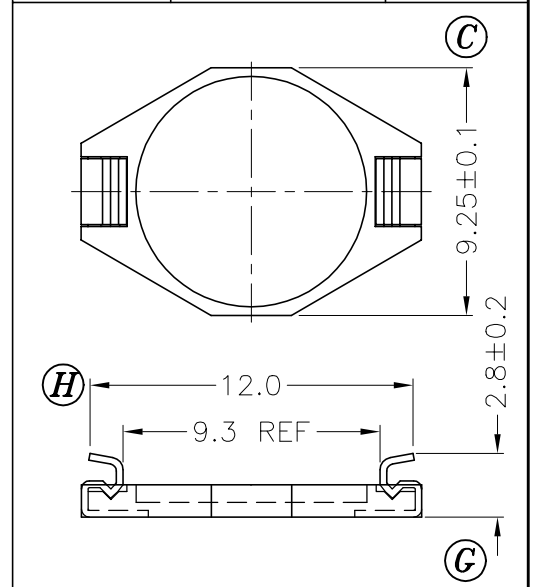


DRAWING NO.	MATERIAL:	ORIGIN:
SB-024-1	LCP E4008	DG SZ



REV.	REVISIONS	REC.	REV.	REVISIONS	REC.
2	UPDATE DRAWING				

DRAWN & DRAFTED BY YIN HAO BO	TOLERANCES		ANGLE:	TITLE:	
	0 ≤ 4 ±0.1	COPLANARITY 0.1 MAX	±1°	SMD BASE CO-D03316	
CHECKED & APPROVED BY LONG HONG JUN	4 ≤ 16 ±0.2		UNIT:	BOBBIN MATERIAL:	UL REC.
	16 ≤ 63 ±0.3	MM	LCP E4008	UL 94V-0	
PIN SHINE INDUSTRIAL CO., LTD.		ORIGIN:	PIN MATERIAL:	PIN TENSION LOAD:	
TEL:886-2-22990545	FAX:886-2-22990546	DG SZ	PHOSPHOR BRONZE		
		DATE:	DRAWING NO.	REV.	
		JUN.11 '2002	SB-024	2	