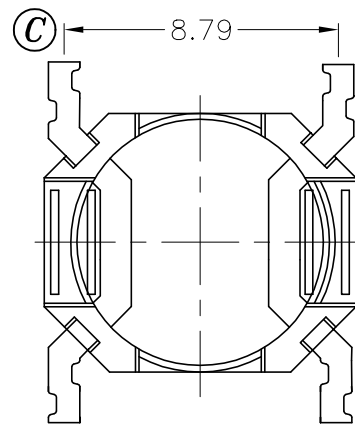
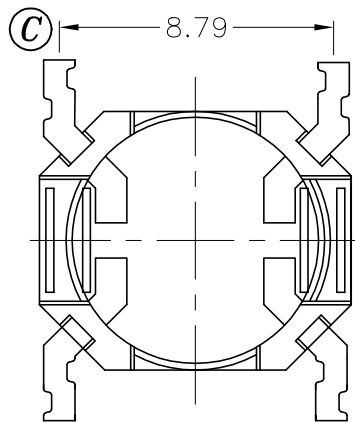


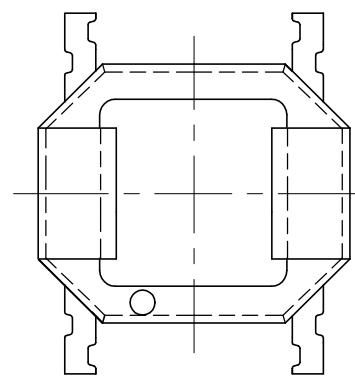
DRAWING NO.	MATERIAL:	ORIGIN:
SB-047-3	LCP E4008	SZ



DRAWING NO.	MATERIAL:	ORIGIN:
SB-047-2	LCP E4008	SZ



DRAWING NO.	MATERIAL:	ORIGIN:
SB-047-1	LCP E4008	DG



REV.	REVISIONS	REC.	REV.	REVISIONS	REC.

DRAWN & DRAFTED BY LIU YOU SEN	TOLERANCES		ANGLE:	TITLE:	
	0<L≤4 ±0.1	COPLANARITY 0.1 MAX	±1°	SMD BASE 10X8.3X0.6	
CHECKED & APPROVED BY TIAN BAI SEN	4<L≤16 ±0.2		UNIT:	BOBBIN MATERIAL:	UL REC.
	16<L≤63 ±0.3		MM	LCP E4008	UL 94V-0
 <b>PIN SHINE INDUSTRIAL CO., LTD.</b> TEL:886-2-22990545      FAX:886-2-22990546	ORIGIN:	DG	PIN MATERIAL:	PHOSPHOR BRONZE	PIN TENSION LOAD: 1.5KG MIN
			DATE:	SEP.26 '2002	DRAWING NO.
					SB-047
					REV. 0