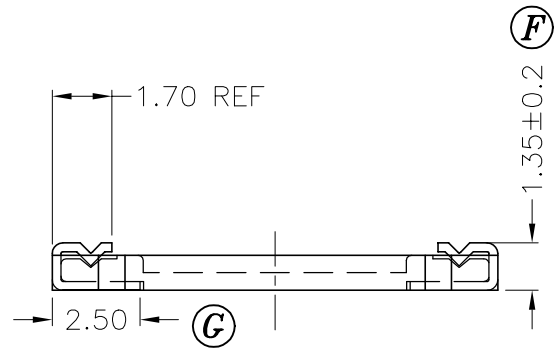
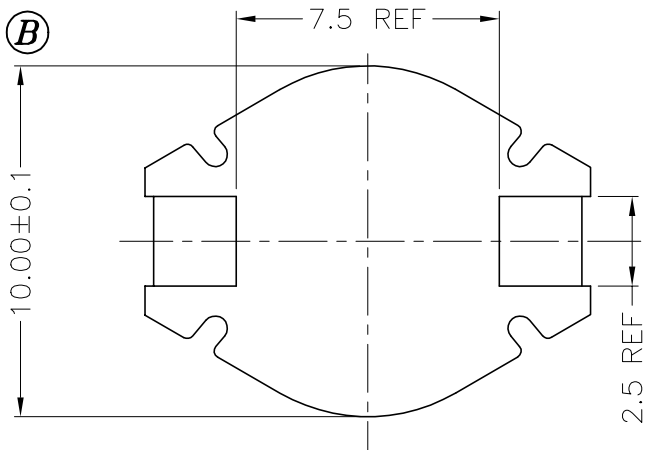


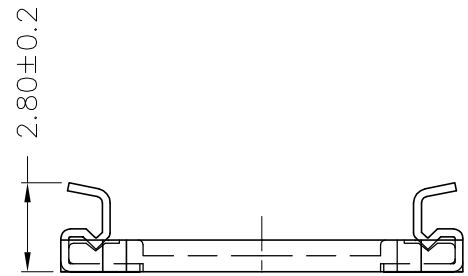
SEC. A-A



ASSEMBLY



DRAWING NO.	MATERIAL:	ORIGIN:
SB-051-1	LCP E4008	DG



ASSEMBLY

REV.	REVISIONS	REC.	REV.	REVISIONS	REC.

DRAWN & DRAFTED BY YU ZHIHUA	TOLERANCES		ANGLE:	TITLE:	
	0 < L ≤ 4 ± 0.1	COPLANARITY 0.1 MAX	± 1°	SMD BASE 12.7X10X0.5	
CHECKED & APPROVED BY JOHN RONG	4 < L ≤ 16 ± 0.2		UNIT:	BOBBIN MATERIAL:	UL REC.
	16 < L ≤ 63 ± 0.3	MM	LCP E4008	UL 94V-0	
ORIGIN:			DG	PIN MATERIAL:	PIN TENSION LOAD:
				PHOSPHOR BRONZE	
TEL: 886-2-22990545		FAX: 886-2-22990546	DATE:	DRAWING NO.	REV.
			SEP. 16 '2002	SB-051	0



PIN SHINE INDUSTRIAL CO., LTD.

TEL: 886-2-22990545

FAX: 886-2-22990546

