

**GREEN MODE PWM CONTROLLER****AP384XG****General Description**

The AP384XG is a Green Mode PWM controller. It is specially designed for off-line AC-DC adapter and battery charger applications where both needs for low standby power and high efficiency in normal operation are required. In a well designed product, the AP384XG is capable to allow the system consuming only 0.5W power in standby mode.

In normal operation, the AP384XG features adjustable frequency by using an external resistor and capacitor combination. When output power falls below a given level, the IC automatically switches to the skip mode, which works by skipping switching cycles. The AP384XG also features low start-up and low standby operating current for its special topology.

The AP384XG provides accurate protection against over-temperature, over-current and maximal output power.

The AP384XG is available in SOIC-8 and DIP-8 packages.

Features

- Green Mode PWM Controller to Support the "Blue Angel" Norm
- Adjustable Skip Cycle Mode Operation
- Low Start-up Current: 40 μ A (Typ.)
- Low Standby Operating Current: 6mA
- Internal Leading Edge Blanking
- Adjustable Oscillator Frequency up to 500KHz
- Totem Pole Output
- Under Voltage Lock Out (UVLO)
- Over-Temperature Protection
- Pin to Pin Replacement for AZ384XA

Applications

- Off-line Converter
- DC-DC Converter
- DVD/STB Power Supply
- Power Adapter
- CRT Monitor Power Supply

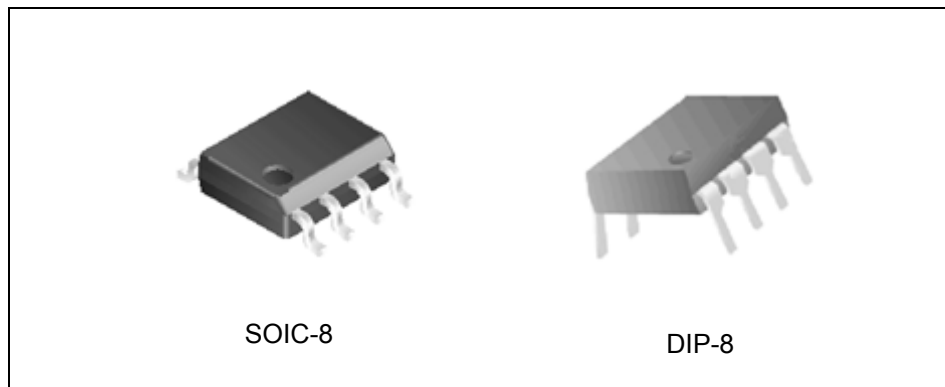


Figure 1. Package Types of AP384XG

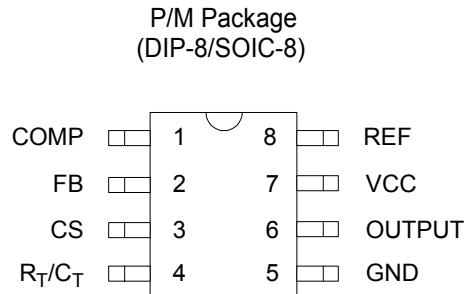
**GREEN MODE PWM CONTROLLER****AP384XG****Pin Configuration**

Figure 2. Pin Configuration of AP384XG

Pin Description

Pin Number	Pin Name	Function
1	COMP	This pin is the Error Amplifier output and is made available for loop compensation.
2	FB	The inverting input of the Error Amplifier. It is normally connected to the switching power supply output through an external resistor divider.
3	CS	It is used either for current sense (normal mode) or skip cycle level selection (standby mode).
4	R _T /C _T	The oscillator frequency and maximum output duty cycle are programmed by connecting resistor R _T to REF and capacitor C _T to ground.
5	GND	The ground pin.
6	OUTPUT	This output directly drives the gate of a power MOSFET. Peak currents up to 1.0 A are sourced and sunk by this pin.
7	VCC	The power supply pin.
8	REF	This is the reference output. It provides charging current for capacitor C _T through resistor R _T .



GREEN MODE PWM CONTROLLER

AP384XG

Functional Block Diagram

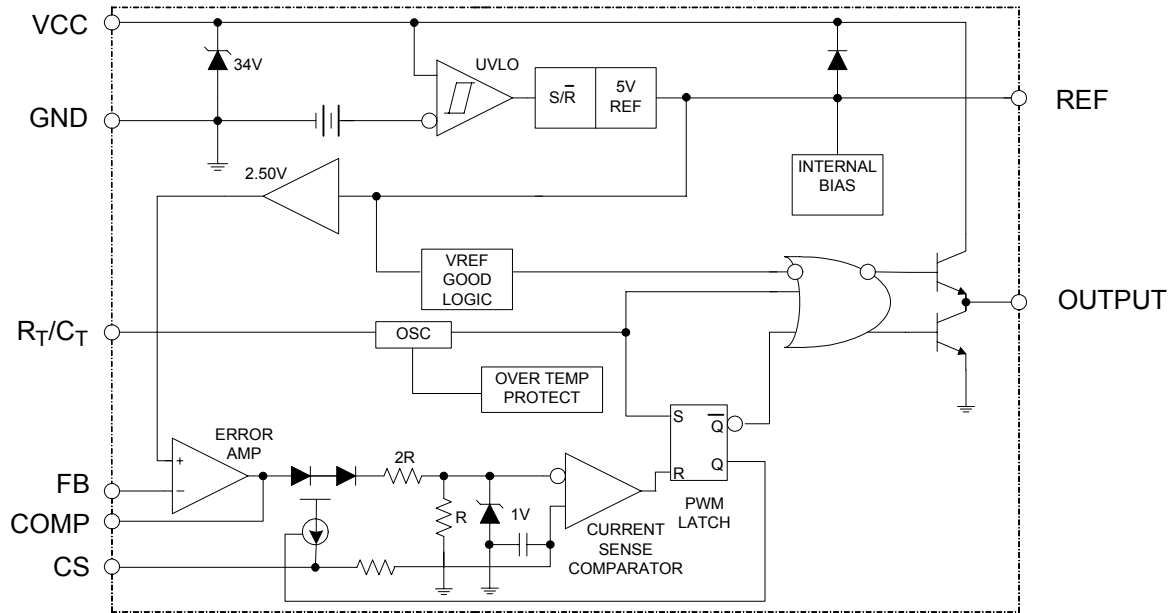
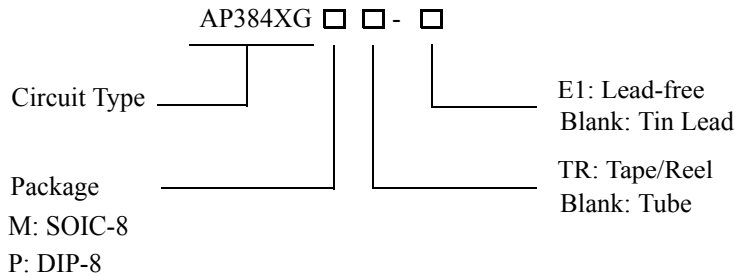


Figure 3. Functional Block Diagram of AP384XG

Ordering Information



Package	Temperature Range	Part Number		Marking ID		Packing Type
		Tin Lead	LeadFree	Tin Lead	LeadFree	
SOIC-8	-40 to 85°C	AP3842/3/4/5GM	AP3842/3/4/5GM-E1	3842/3/4/5GM	3842/3/4/5GM-E1	Tube
		AP3842/3/4/5GMTR	AP3842/3/4/5GMTR-E1	3842/3/4/5GM	3842/3/4/5GM-E1	Tape/Reel
DIP-8	-40 to 85°C	AP3842/3/4/5GP	AP3842/3/4/5GP-E1	AP3842/3/4/5GP	AP3842/3/4/5GP-E1	Tube

The listed part numbers are used during the transition to lead-free products. After the transition completed, lead-free products will be considered as the "standard" and we will resume the original part numbers.

**GREEN MODE PWM CONTROLLER****AP384XG****Absolute Maximum Ratings (Note 1, 2)**

Parameter	Symbol	Value	Unit
Supply Voltage	V _{CC}	30	V
Gate Output Current	I _O	± 1	A
Analog Inputs (pin2, 3)	V(ANA)	-0.3 to 6.3	V
Error Amp Output Sink Current	I _{SINK(E.A)}	20	mA
Power Dissipation at T _A < 25 °C (DIP-8)	P _D (Note 3)	1000	mW
Power Dissipation at T _A < 25 °C (SOIC-8)	P _D (Note 3)	460	mW
Storage Temperature Range	T _{STG}	-65 to 150	°C
Ambient Temperature	T _A	-40 to 85	°C
Lead Temperature (Soldering, 10sec)	T _{LEAD}	+300	°C
ESD (Machine Model)		300	V

Note 1: Stresses greater than those listed under "Absolute Maximum Ratings" may cause permanent damage to the device. These are stress ratings only, and functional operation of the device at these or any other conditions beyond those indicated under "Recommended Operating Conditions" is not implied. Exposure to "Absolute Maximum Ratings" for extended periods may affect device reliability.

Note 2: All voltages are with respect to pin GND and all currents are positive into specified terminal.

Note 3: Board thickness 1.6mm, board dimension 90mm X 90mm.

Recommended Operating Conditions

Parameter	Symbol	Min	Max	Unit
Oscillation Frequency	f		500	KHz
Ambient Temperature	T _A	-40	85	°C



GREEN MODE PWM CONTROLLER

AP384XG

Electrical Characteristics

($V_{CC}=15V$, $R_T=10k\Omega$ $C_T=3.3nF$, $T_A= -40$ to $85^\circ C$, unless otherwise specified.)

Parameter	Symbol	Conditions	Min	Typ	Max	Unit
REFERENCE SECTION						
Reference Output Voltage	V_{REF}	$T_J=25^\circ C$, $I_{REF}=1mA$	4.95	5.00	5.05	V
Total Output Variation		Line, Load, Temp.	4.9		5.10	V
Line Regulation	ΔV_{REF}	$12V \leq V_{CC} \leq 25V$		4	15	mV
Load Regulation	ΔV_{REF}	$1mA \leq I_{REF} \leq 20mA$		4	15	mV
Short Circuit Output Current	I_{SC}	$T_A=25^\circ C$		-100	-180	mA
Temperature Stability				0.2	0.4	mV/ $^\circ C$
UNDER VOLTAGE LOCK OUT SECTION						
Start-up Threshold		AP3842G/AP3844G	15	16	17	V
		AP3843G/AP3845G	7.8	8.4	9.0	
Minimum Operating Voltage		AP3842G/AP3844G	8.5	10	11.5	V
		AP3843G/AP3845G	7.0	7.6	8.2	
TOTAL STANDBY CURRENT SECTION						
Start-up Current		$V_{CC}=14V$		40	80	μA
Operating Current		$V_{FB}=0$, $V_{CS}=0$, $C_L=1nF$		8		mA
Standby Operating Current		$V_{FB}=2.7V$, $V_{CS}=0.5V$		6		mA
Zener Voltage		$I_{CC}=25mA$	30	34		V
PWM SECTION						
Maximum Duty Cycle		AP3842G/AP3843G	94	96		%
		AP3844G/AP3845G	46	48	50	
Minimum Duty Cycle					0	%
OSCILLATOR SECTION						
Oscillation Frequency	f	$T_J=25^\circ C$	47	52	57	KHz
Oscillator Amplitude	V_{OSC}	Pin RT/CT, peak to peak		1.7		V
Temperature Stability				2		%
Voltage Stability		$12V \leq V_{CC} \leq 25V$		0.2	1	%
Discharge Current		$V_{RT/CT} = 2V$ (Note 4)	8.5	9.5	10.5	mA

Note 4: This parameter is measured with $R_T=10k\Omega$ to V_{REF} , it contributes 0.3mA of current to the measured value. So the total current flowing into the CT pin will be 0.3mA higher than the measured value approximately.



GREEN MODE PWM CONTROLLER

AP384XG

Electrical Characteristics (Continued)

Parameter	Symbol	Conditions	Min	Typ	Max	Unit
ERROR AMPLIFIER SECTION						
Input Voltage	V _I	V _{COMP} =2.5V	2.45	2.50	2.55	V
Output Sink Current	I _{SINK}	V _{COMP} =1.1V	6	10		mA
Output Source Current	I _{SOURCE}	V _{COMP} =5V	-0.5	-0.8		mA
High Output Voltage	V _{OH}	R _L =15kΩ to GND	5	7		V
Low Output Voltage	V _{OL}	R _L =15kΩ to pin REF		0.7	1.1	V
Voltage Gain		2V ≤ V _O ≤ 4V	65	90		dB
Power Supply Rejection Ratio	PSRR	12V ≤ V _{CC} ≤ 25V	60	70		dB
CURRENT SENSE SECTION						
Maximum Input Signal	V _I (MAX)	V _{COMP} =5V (Note 5)	0.9	1	1.1	V
Gain	GV	0V ≤ V _{CS} ≤ 4V (Note 5, 6)	2.85	3	3.15	V/V
Power Supply Rejection Ratio	PSRR	12V ≤ V _{CC} ≤ 25V (Note 5, 7)		70		dB
Delay to Output		V _{CS} = 0 to 2V (Note 7)		150	250	ns
Input Bias Current	I _{BIAS}	V _{OUTPUT} =High		-3	-10	μA
Leading Edge Blanking Duration	T _{LEB}			250		ns
OUTPUT SECTION						
Low Output Voltage	V _{OL}	I _{SINK} = 20mA		0.2	0.4	V
		I _{SINK} = 200mA		1.4	2.2	V
High Output Voltage	V _{OH}	I _{SOURCE} = 20mA	13	13.5		V
		I _{SOURCE} = 200mA	12	13		V
Rise Time	t _R	T _J =25°C, C _L =1nF		150	250	ns
Fall Time	t _F	T _J =25°C, C _L =1nF		50	150	ns
SKIP CYCLE MODE SECTION						
Source Current (@ CS)		V _{OUTPUT} =Low, T _J =25°C	180	200	220	μA
OVER-TEMPERATURE PROTECT SECTION						
Shutdown Temperature	T _{SHUT}			155		°C
Temperature Hysteresis	T _{HYS}			25		°C

Note 5: Parameters are tested at trip point of latch with V_{pin2} = 0.

Note 6: Here gain is defined as:

$$A = \frac{\Delta V_{Pin 1}}{\Delta V_{Pin 3}}, 0 \leq V_{pin3} \leq 0.8V$$

Note 7: These parameters, although guaranteed, are not 100% tested in production.



GREEN MODE PWM CONTROLLER

AP384XG

Typical Performance Characteristics

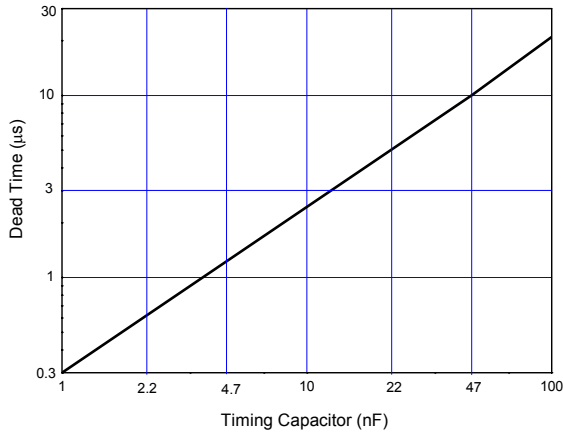


Figure 5. Oscillator Dead Time vs. Timing Capacitor

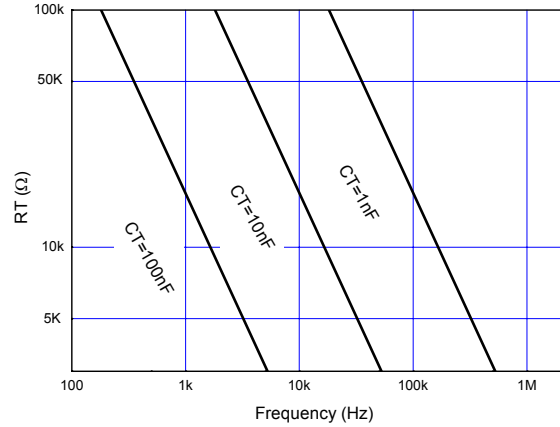


Figure 6. Timing Resistor vs. Frequency

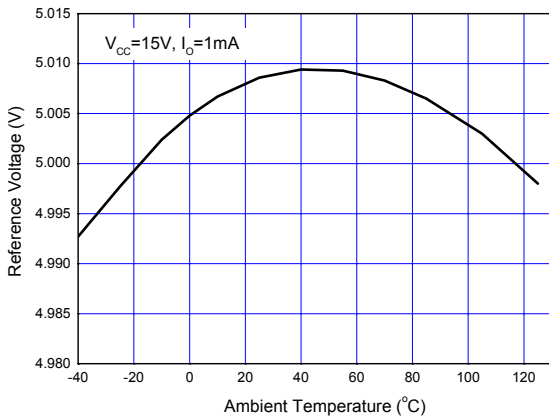


Figure 7. Reference Voltage vs. Ambient Temperature

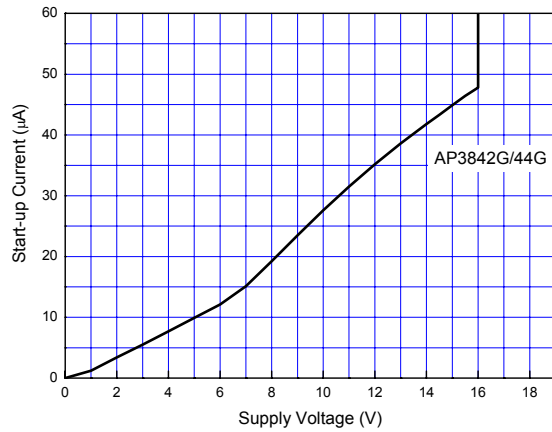


Figure 8. Start-up Current vs. Supply Voltage



GREEN MODE PWM CONTROLLER

AP384XG

Typical Performance Characteristics (Continued)

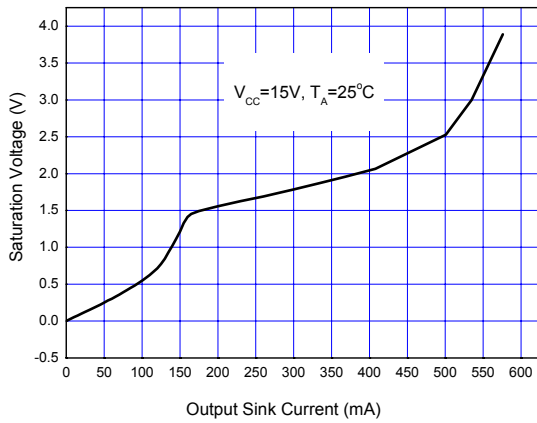


Figure 9. Output Saturation Characteristics

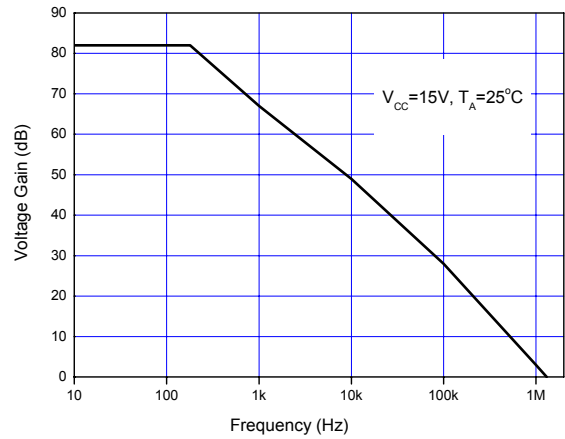


Figure 10. Error Amplifier Open-Loop Frequency Response

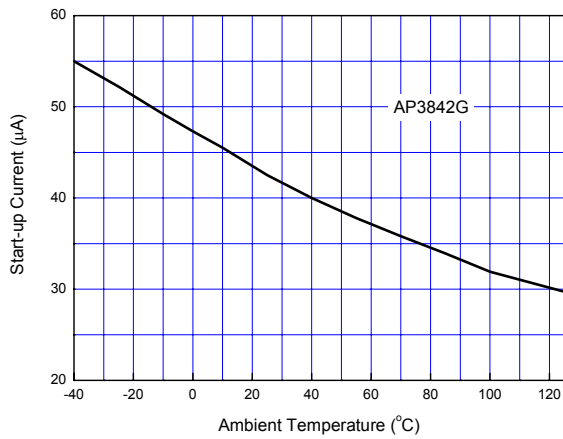


Figure 11. Start-up Current vs. Ambient Temperature



GREEN MODE PWM CONTROLLER

AP384XG

Typical Application

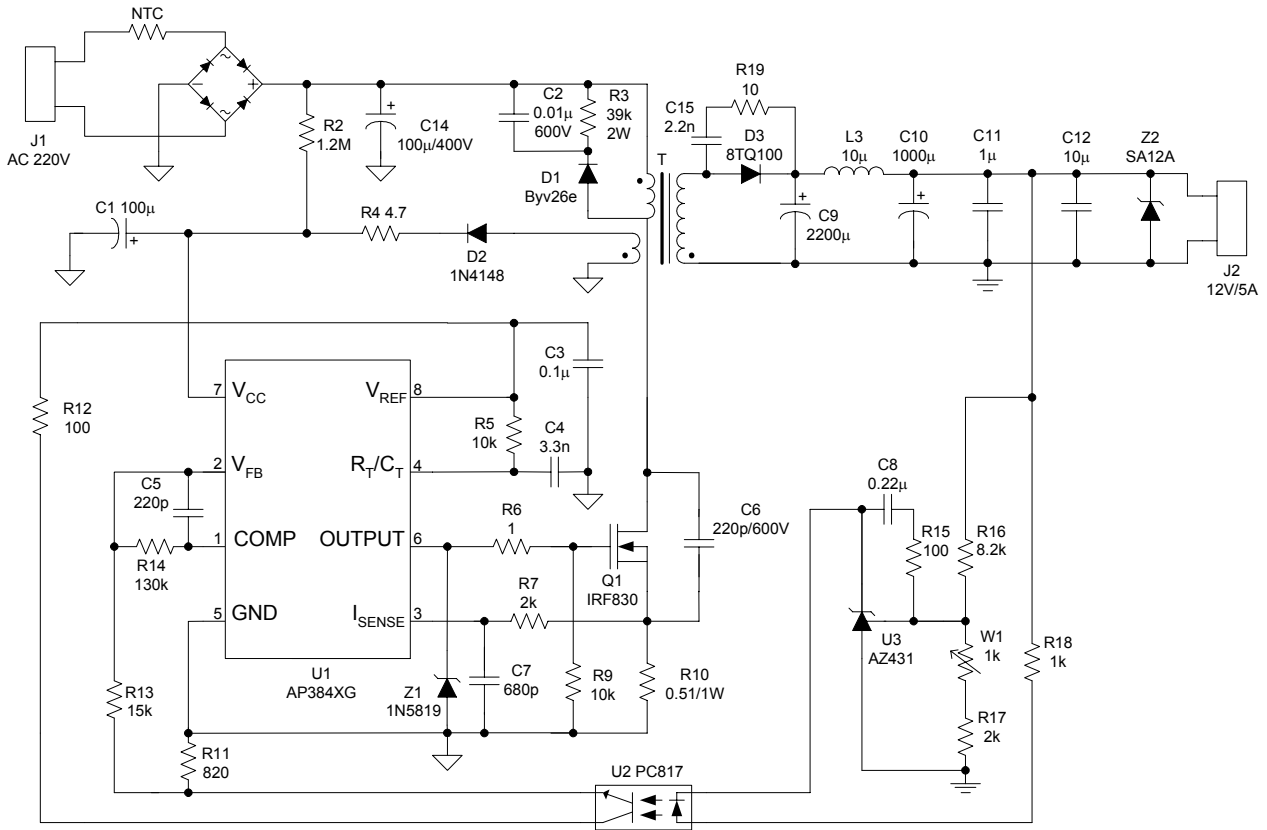


Figure 12. Typical Application of AP384XG in AC/DC Converter



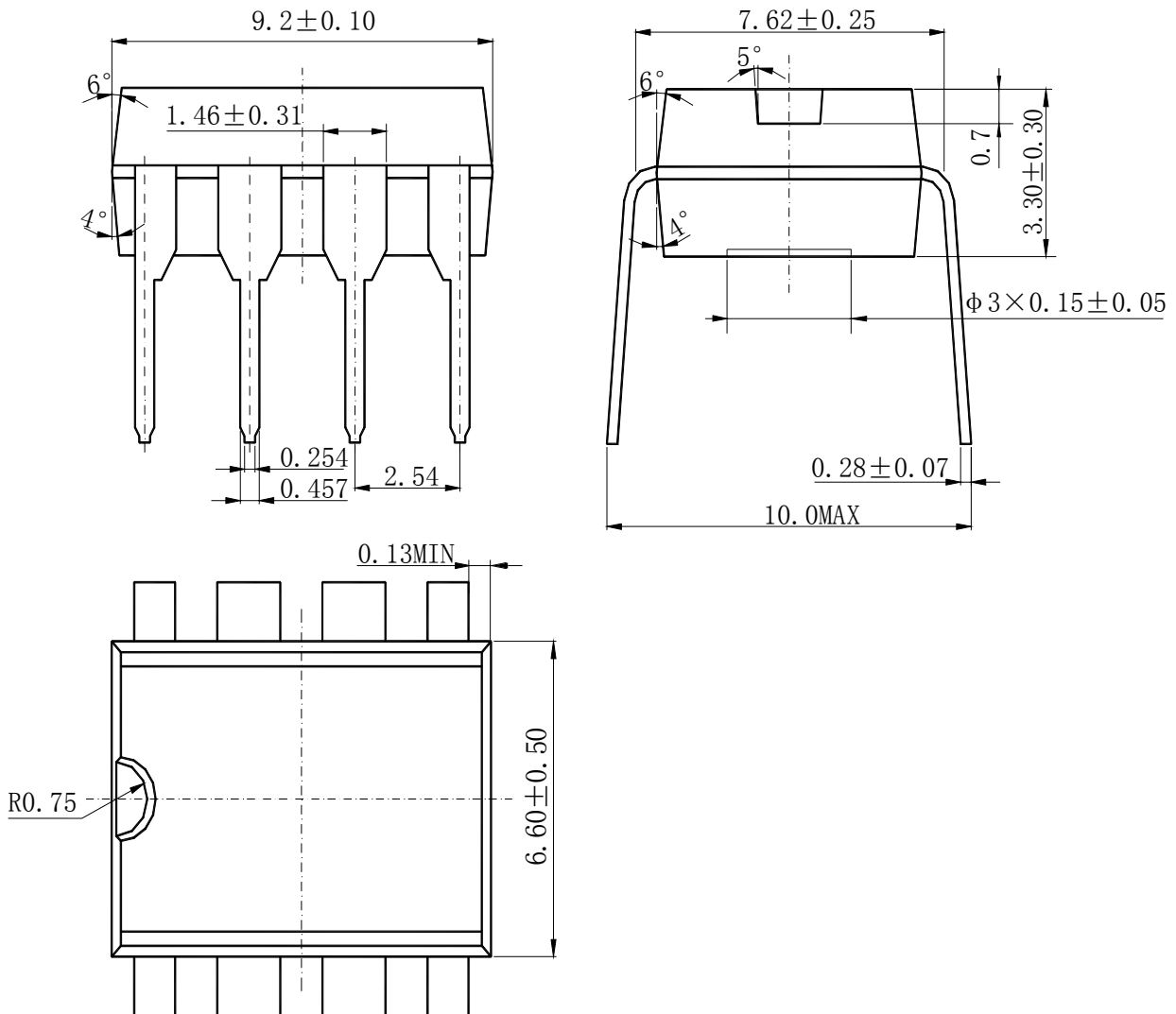
GREEN MODE PWM CONTROLLER

AP384XG

Mechanical Dimensions (Continued)

DIP-8

Unit: mm





BCD Semiconductor Manufacturing Limited

<http://www.bcdsemi.com>

<http://www.aacmicro.com>

BCD Semiconductor Corporation

860 Hillview Court, Suite 160, Milpitas, CA 95035, USA

Tel: +1-408-586 8809, Fax: +1-408-586 8802

Shanghai SIM-BCD Semiconductor manufacturing Co., Ltd.

800 Yi Shan Road, Shanghai 200233, PRC

Tel: +86-21-6485-1491, Fax: +86-21-5450-0008

Advanced Analog circuits (Shanghai) Corporation

8F, B Zone, 900 Yi Shan Road, Shanghai 200233, PRC

Tel: +86-21-6495 9539, Fax: +86-21-6485 9673

BCD Semiconductor (Taiwan) company Limited

Room 2210, 22nd Fl, 333, Keelung Road, Sec. 1, TaiPei (110), Taiwan

Tel: +886-2-2758 6828, Fax: +886-2-2758 6892

IMPORTANT NOTICE

BCD Semiconductor Manufacturing Limited reserves the right to make changes without further notice to any products or specifications herein. BCD Semiconductor Manufacturing Limited does not assume any responsibility for use of any its products for any particular purpose, nor does BCD Semiconductor Manufacturing Limited assume any liability arising out of the application or use of any its products or circuits. BCD Semiconductor Manufacturing Limited does not convey any license under its patent rights or other rights nor the rights of others.