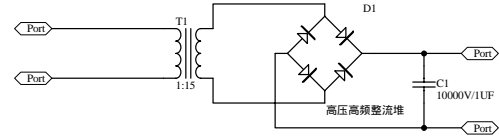
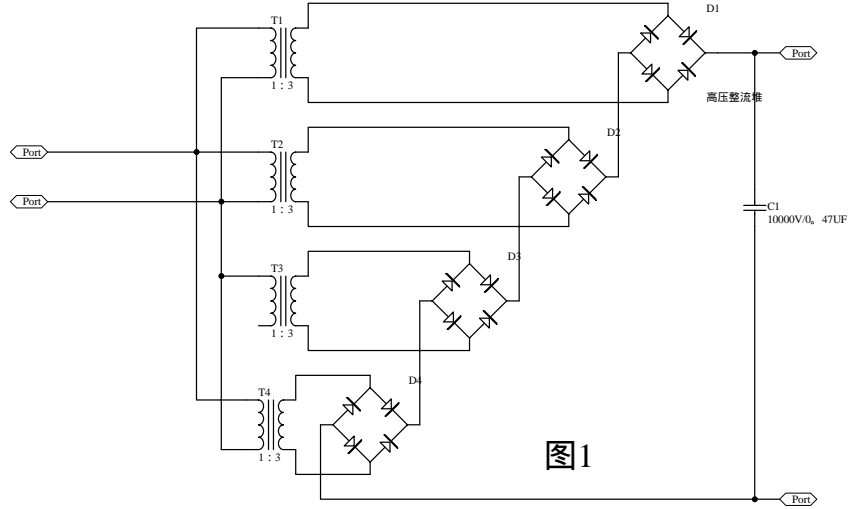
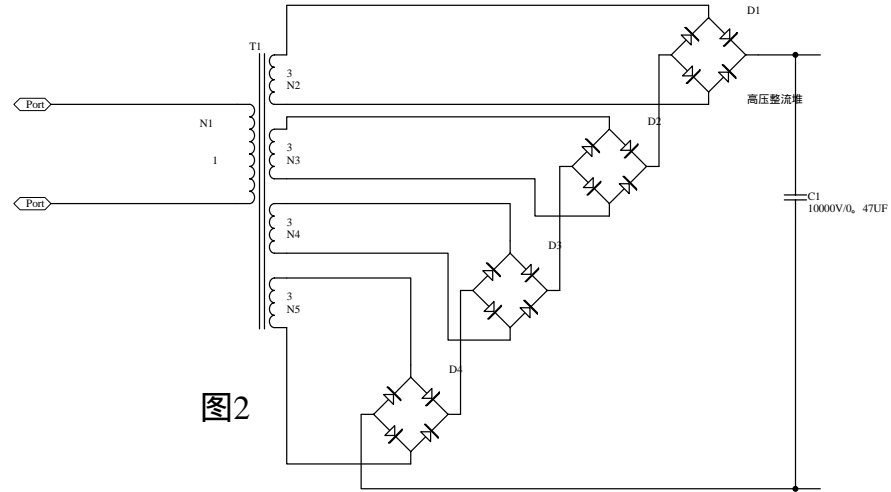


1 2 3 4 5 6

D D



C C



B B

A A

1 2 3 4 5 6

Title		
Size	Number	Revision
B		
Date:	2-Feb-2005	Sheet of
File:	F:\大海 (-1)\4500V.SCH	Drawn By: