

# Typical Application Circuit

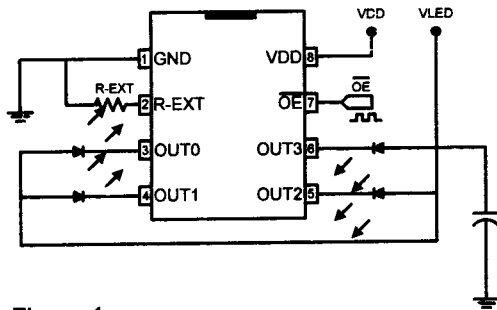


Figure 1