

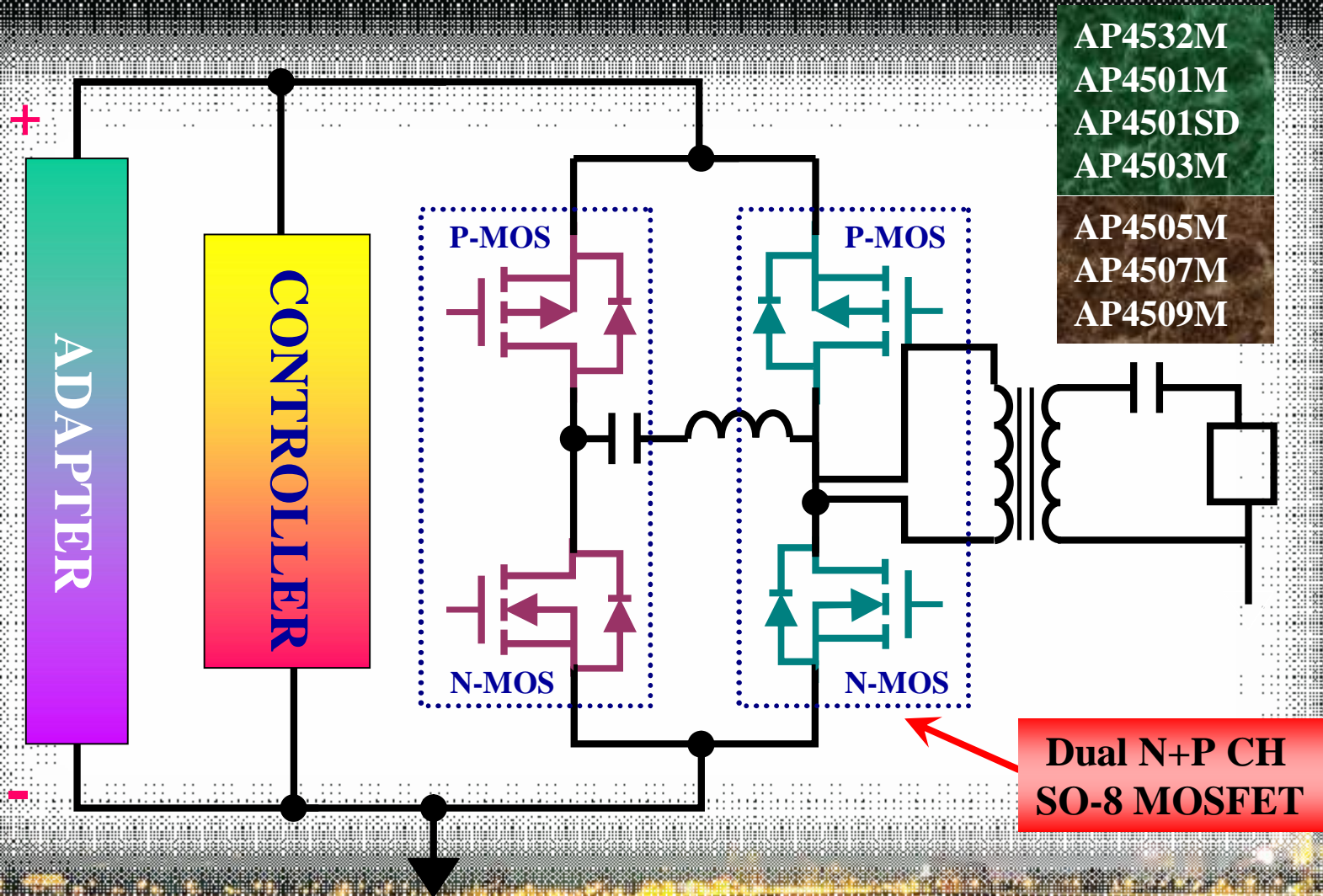


# APPLICATION on LCD MONITOR



**ADVANCED POWER ELECTRONICS CORP.**  
*Power Electronic Solutions Company*

# Full Bridge for Inverter



# Full Bridge MOS Real Test

	AP4532M		AP4501M		AP4500M		AP4502M	
	N	P	N	P	N	P	N	P
<b>BVdss</b>	34.85	-32.3	29.4	-33.15	30.3	-31.15	30.8	-31.9
<b>Vth</b>	1.54	-1.47	2	-1.41	0.87	-0.52	0.84	-0.54
<b>Rdson</b>	52.2	76	24.1	67	28.5	46	21.6	47
<b>Qg</b>	5.8	8.84	11.2	9.08	11.3	15.88	16.1	15.33
<b>Qgs</b>	1.2	3.72	1.8	3.44	1.1	3.12	1.6	3.37
<b>Qgd</b>	3.4	1.04	7.4	1.5	5.3	1.48	7.5	1.55

# Full Bridge for O2-Micro 4 Lamp

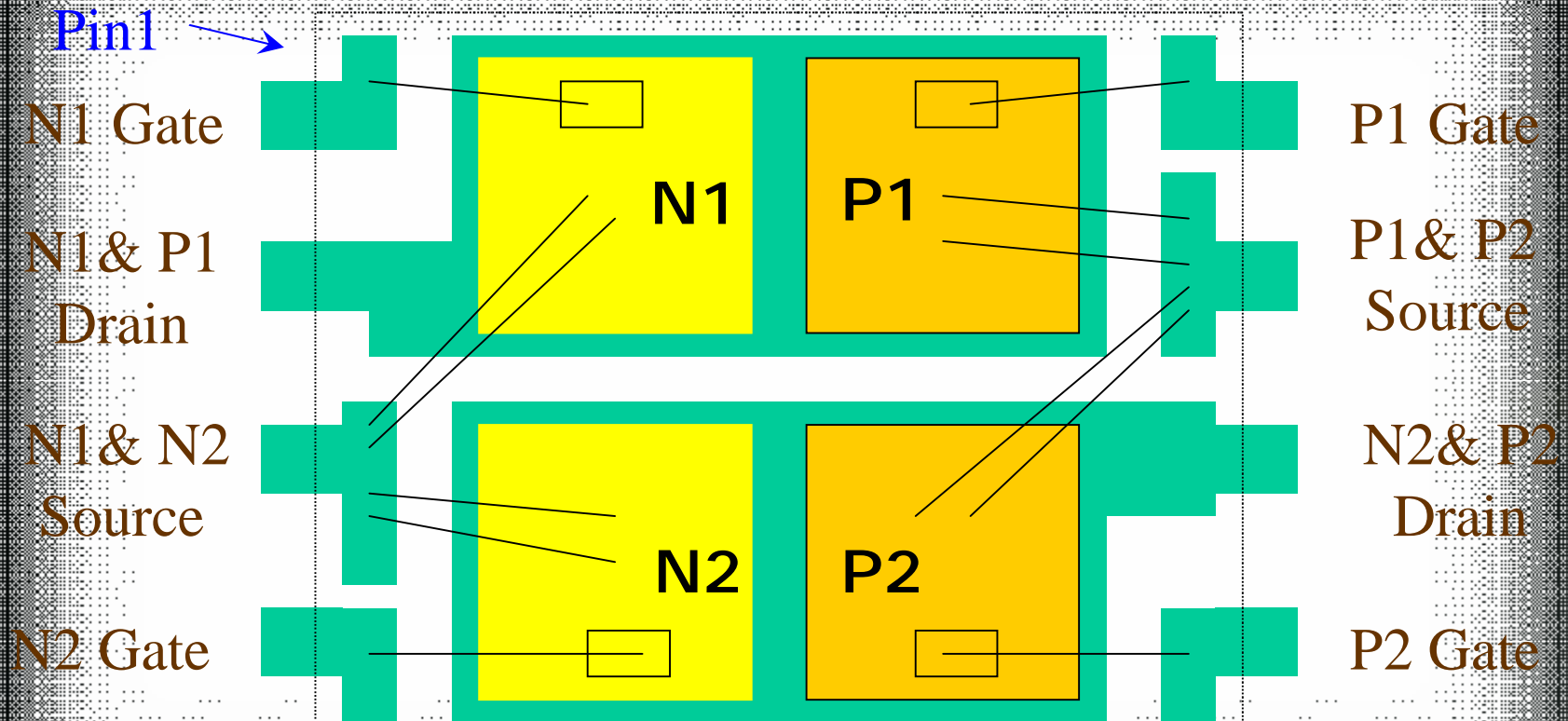
MOSFET	Temperature (°C)		12V I <sub>in</sub> (A)
	Q106	Q105	
AP4532M	53.1	57.2	0.92
AP4501M	46.2	50.3	0.9
AP4500M	48	50.8	0.91
AP4502M	45.7	49.7	0.9

# Full Bridge for BIT3105

MOSFET	Temperature (°C)				13V I <sub>in</sub> (A)
	U2	U3	U4	U5	
AP4501M	48.9	51.4	50.3	49.7	1.53
AP4501SM	46.2	48.6	48.2	47.2	1.53
AP4532M	52.4	55.2	54.5	53.9	1.56

重点推荐： AP9930M=2PCS AP4532M

# Full Bridge for Inverter



★ **Suit for one Lamp Full Bridge Inverter & Portable equipment**

# *Full Bridge for High Input Voltage*

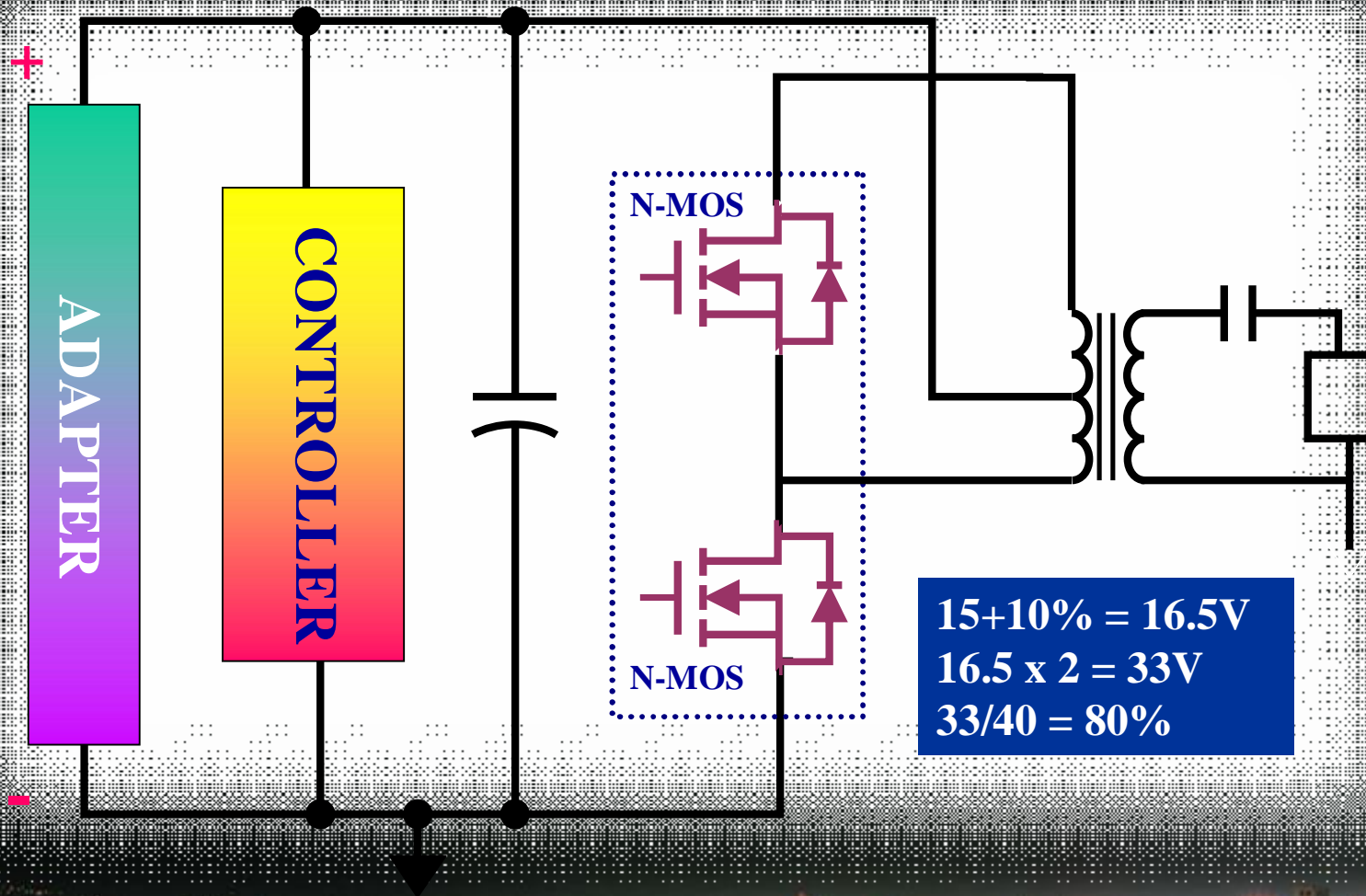
**24V Vin : 40V~60V P & N-ch MOS**

**48V Vin : 80V~100V P & N-ch MOS**

**120V Vin : 200~250V P & N-ch MOS**

**380V Vin : 600V P & N-ch MOS**

# Push-Pull for Inverter



$$\begin{aligned} 15 + 10\% &= 16.5\text{V} \\ 16.5 \times 2 &= 33\text{V} \\ 33/40 &= 80\% \end{aligned}$$



# Push-Pull MOS Series for Inverter

VIN=12V	BVDSS	RDSON@4.5V	Qg @ 4.5V
AP9960M	40V	35mΩ	14.7
AP9962M	40V	40mΩ	13.0
AP9964M	40V	30mΩ	17.0

VIN=19V	BVDSS	RDSON@4.5V	Qg @ 4.5V
AP9971M	60V	60mΩ	10.0
AP9973M	60V	70mΩ	8.0
AP9975M	60V	50mΩ	14.0

VIN=24V	BVDSS	RDSON@4.5V	Qg @ 4.5V
AP9980M	80V	---	---
AP9982M	80V	---	---
AP9984M	80V	---	---

謝謝各位耐心的聽講



聯絡人：徐光輝 Simon Hsu  
手机：13823175560  
E-MAIL： [simon@stec.com.tw](mailto:simon@stec.com.tw)

名扬电通股份有限公司（深圳）代表处  
TEL：0755-26482702  
FAX：0755-26482742  
地址：深圳市南山区南油大道雅仕荔景苑B栋17E  
邮编：518054

