

CORNELL DUBILIER Aluminum Electrolytic Capacitors



ELECTROFILM CAPACITORS- A FILM ALTERNATIVE FOR ELECTROLYTIC CAPACITORS

ElectroFilm Technology is a material system used by CDE to create custom capacitors for stable high capacitance, high voltage, and/or high current and low ESR applications. ElectroFilm capacitors can be made using metallized polyester or metallized polypropylene at very high capacitance values and could be used to replace electrolytic capacitors where increased reliability is required. All thr1348 of the ElectroFilm series are self healing, non-polar and typically have 3 or more times the ripple capability, more than 2 times greater life with no dry-out and one tenth the ESR value of aluminum electrolytic capacitors.

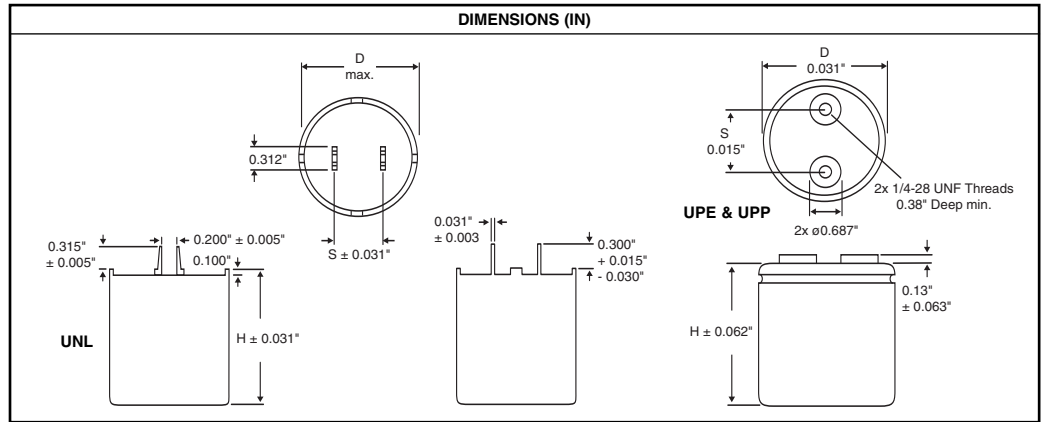


Features:

- Self healing
- Non-Polar
- Longer life with no dry-out
- Life: 30,000 hours
- Snap-In: UNL Series
- Screw Terminal: UPE & UPP series

Specifications:

- Voltage Range: 300Vdc to 1200 Vdc
- Operating Temperature: -55°C to +85°C
- Capacitance Range: 7.5µF to 600µF
- Dielectric: Metallized Polypropylene (MPP) - UNL & UPP
Metallized Polyester (MPE) - UPE



Aluminum Caps, Can
Cornell Dubilier

For quantities of 10 and up, call for quote.

MOUSER STOCK NO.	CDE Part No.	Value (µF)	Volt (V)	Case Size D x L (In.)	ESR mΩ @ 1kHz	Ripple (Arms)			Joules	dv/dt V/µs	I _p	ESL (nH)	S.R.F. kHz	Price Each	
						25°C	50°C	75°C						1	5
5984-UNL12W7P5K	UNL12W7P5K	7.5	1200	1.42 x 2.12	14.0	13.8	11.1	6.8	5.40	56	420	35	309	14.00	11.20
5984-UNL6W30K	UNL6W30K	30	600	1.42 x 2.12	8.0	18.1	14.6	8.9	5.40	28	840	35	155	14.50	11.60
5984-UNL5W35K	UNL5W35K	35	500	1.42 x 2.12	8.0	18.6	15.0	9.1	4.38	25	875	35	143	23.50	18.80
5984-UPE10W120K	UPE10W120K	120	1000	3.00 x 5.13	18.0	25.6	20.6	12.5	60.0	19	2280	81	71	109.44	102.60
5984-UPE6W240K	UPE6W240K	240	600	3.00 x 4.13	8.5	32.7	26.2	16.0	43.2	14	3360	61	42	101.60	95.25
5984-UPE3W600K	UPE3W600K	600	300	3.00 x 3.13	5.0	39.2	31.5	19.2	27.0	11	6600	47	30	134.40	126.00
5984-UPP12W30K	UPP12W30K	30	1200	2.50 x 3.13	6.2	30.3	24.3	14.8	21.6	47	1410	42	143	61.12	57.30
5984-UPP12W60K	UPP12W60K	60	1200	2.50 x 4.13	7.5	31.1	24.9	15.2	43.2	27	1620	82	70	77.20	72.38
5984-UPP6W120K	UPP6W120K	120	600	2.50 x 3.13	5.0	36.7	29.4	18.0	21.6	23	2760	43	70	72.64	68.10

DCMC HIGH CAPACITANCE COMPUTER GRADE SERIES

Features:

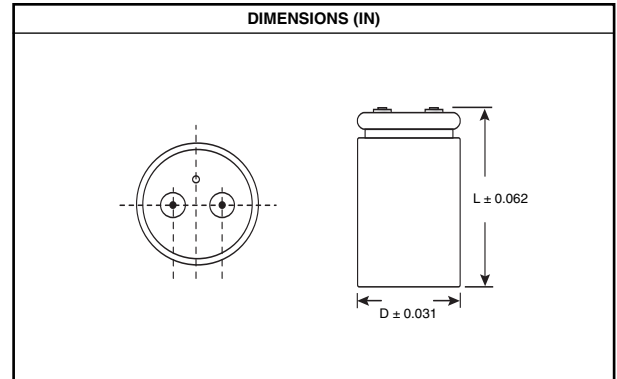
- Low ESR
- High capacitance value
- Handle large ripple currents
- Thermal-Pak extended cathode construction assures cool operation with heat flow from the capacitor element to the can

Applications:

- Power supply filters
- UPS systems
- Computer hold-up power
- Energy storage applications

Specifications:

- Voltage range: 6.3VDC to 450VDC
- Temperature range: -40°C to 85°C
- Tolerance: <200VDC = -10 to +75%
>200VDC = -10 to +50%
- Capacitance Range: 110µF to 2.7F
- Life: 2000 hours @ 85°C



For quantities of 50 and up, call for quote.

MOUSER STOCK NO.	CDE Part Number	Value (µF)	Case DxL (in.)	Max. ESR (MΩ) 120Hz/20°C	Max. Ripple (A) 120Hz/105°C	Price Each				
						1	5	10	25	
16 Volt (20 Volt Surge)										
598-DCMC16V213	DCMC213U016AK2B	21000	1.375 x 1.625	46.9	4.1	10.78	9.98	9.58	9.18	
598-DCMC16V353	DCMC353U016AA2B	35000	1.375 x 2.125	26.5	6.1	13.58	11.81	11.33	10.86	
598-DCMC16V623	DCMC623U016AB2B	62000	1.375 x 3.125	15.5	9.7	16.50	14.35	13.78	13.20	
598-DCMC16V903	DCMC903U016AC2B	90000	1.375 x 4.125	11	13.5	20.50	17.83	17.11	16.40	
598-DCMC16V204	DCMC204U016BC2B	200000	2.000 x 4.125	7.4	17.4	37.38	32.50	31.20	29.90	
25 Volt (30 Volt Surge)										
598-DCMC25V333	DCMC333U025AB2B	33000	1.375 x 3.125	19.3	8.2	15.59	13.55	13.01	12.47	
598-DCMC25V523	DCMC523U025AC2B	52000	1.375 x 4.125	17.6	10.7	20.08	17.45	16.75	16.05	
598-DCMC25V124	DCMC124U025BC2B	120000	2.000 x 4.125	8.3	16.6	37.38	32.50	31.20	29.90	
50 Volt (63 Volt Surge)										
598-DCMC50V103	DCMC103U050AA2B	10000	1.375 x 2.125	30.9	5.6	13.88	12.21	11.66	11.10	
598-DCMC50V123	DCMC123U050AH2B	12000	1.375 x 2.625	25.9	6.7	14.26	12.40	11.90	11.41	
598-DCMC50V163	DCMC163U050AB2B	16000	1.375 x 3.125	23.6	7.4	16.83	14.63	14.04	13.46	
598-DCMC50V263	DCMC263U050AC2B	26000	1.375 x 4.125	18.7	10.4	21.20	18.43	17.69	16.95	
598-DCMC50V383	DCMC383U050BB2B	38000	2.000 x 3.125	16.3	11.9	29.90	26.00	24.95	23.92	
100 Volt (125 Volt Surge)										
598-DCMC100V203	DCMC203U100BC2B	20000	2.000 x 4.125	19.9	10.7	43.70	38.00	36.48	34.96	
250 Volt (300 Volt Surge)										
598-DCMC250V152	DCMC152T250AB2B	1500	1.375 x 3.125	88	4.1	19.30	16.78	16.11	15.44	
598-DCMC250V472	DCMC472T250BC2B	4700	2.000 x 4.125	31.5	8.9	43.20	38.02	36.29	34.56	
598-DCMC250V682	DCMC682T250BF2B	6800	2.000 x 5.625	21.2	11.9	57.30	49.83	47.82	45.84	
450 Volt (500 Volt Surge)										
598-DCMC450V471	DCMC471T450AB2B	470	1.375 x 3.125	253.2	2.4	19.73	18.55	17.15	16.46	
598-DCMC450V102	DCMC102T450BB2B	1000	2.000 x 3.125	137	4.3	34.40	29.91	28.71	27.52	