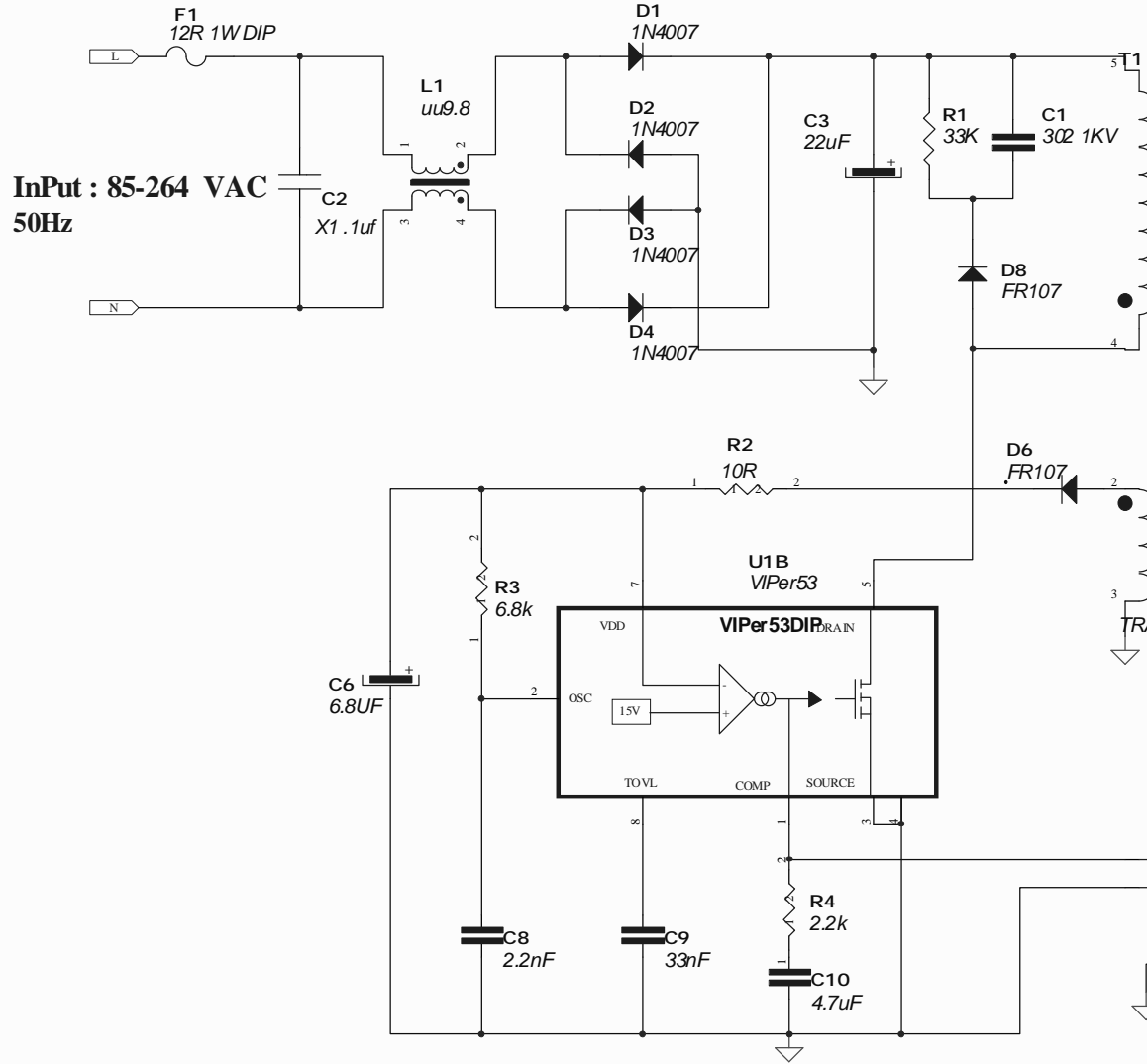


		Document No :	Deartment : E-Dsign Department	
		File :	Drawed By :	Date :
Title :	Citcult Digaram	Initial Rev : A	Date :	Checked By : Date :
Mode :	VIPer53 DIP-8 APPLY	This Rev : B	Date :	Approve By : Date :



**NOTE:**  
 TRANSFORMER PARAMETER  
 CORE: EFD25  
 BOBBIN: EFD25(5+5)WS

#### WINDING1:

WINDING	WIRE	S-F	URNS(Ts)	TAPE	URNS(Ts)	WINDING CONDITONG
NP:	D=0.40	4-5	103T	2T		CLOSE
NF:	D=0.19	2-3	15T	2T		CLOSE
NS:	D=0.7*2	6,7-8,9	13T	2T		CLOSE
INDUCTANCE L4-5=0.67mH						

