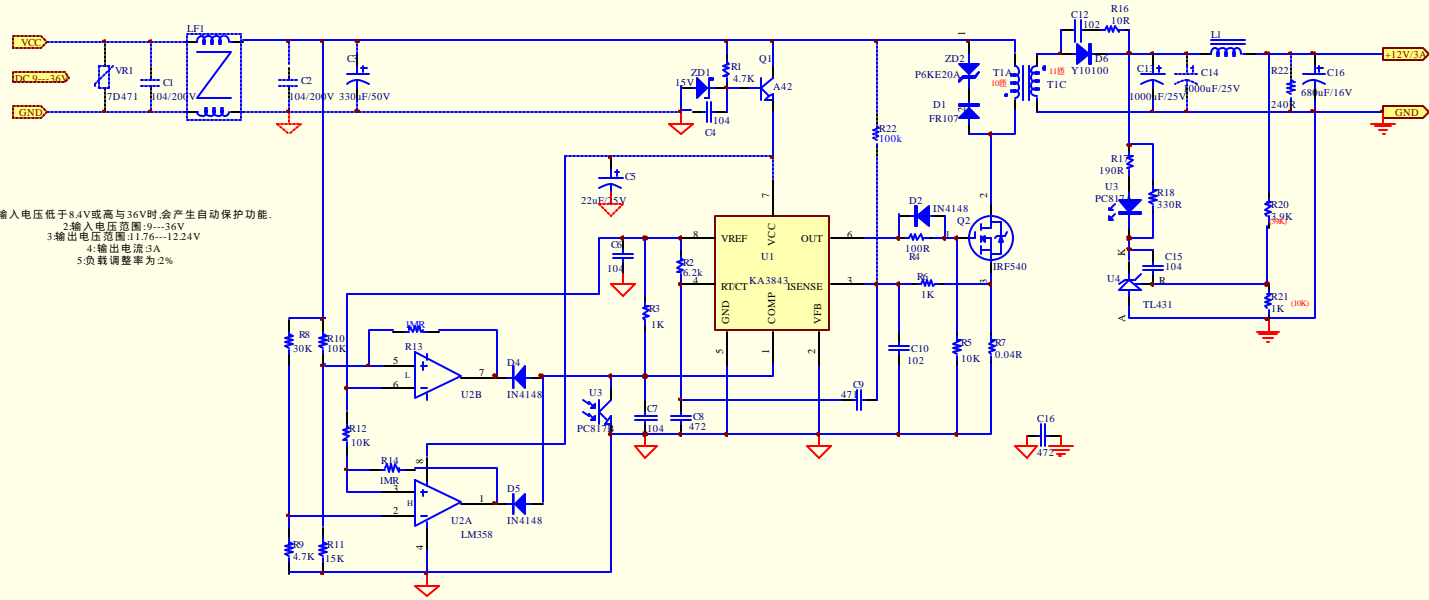


1. 当输入电压低于8.4V或高于36V时,会产生自动保护功能.
2. 输入电压范围:9---36V
3. 输出电压范围:11.76---12.24V
4. 输出电流:5A
5. 负载调整率为2%



Title		
Size	Number	Revision
B		
Date	7-Apr-2005	Sheet of
File	C:\Documents and Settings\ Administrator\桌面\电源电路\031224.DXD	