

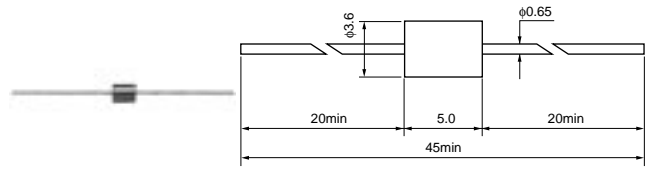
On-Board Type (DC) EMI Suppression Filters(EMIFIL®)



Ferrite Bead Inductors BL01/BL02/BL03 Series

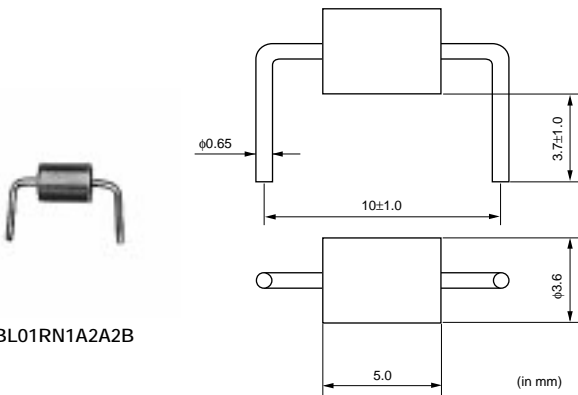
■ Features

These ferrite bead inductors are useful because they can suppress noise only by inserting them in circuit lines. They are suitable for the circuit with unstable ground because they do not need the connection to ground line.



BL01RN1A2A2B

(in mm)

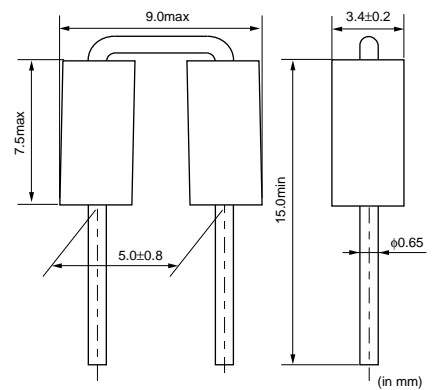


BL01RN1A2A2B

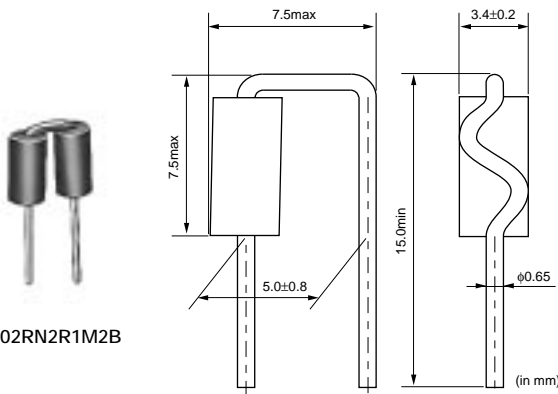
(in mm)



BL02RN1R2M2B



(in mm)

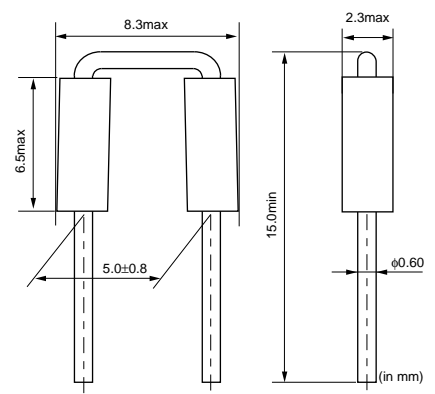


BL02RN2R1M2B

(in mm)



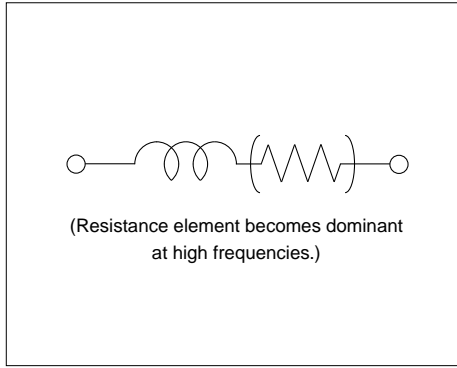
BL03RN2R1M1B



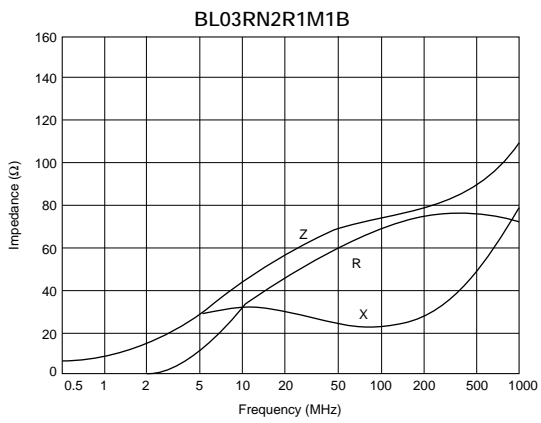
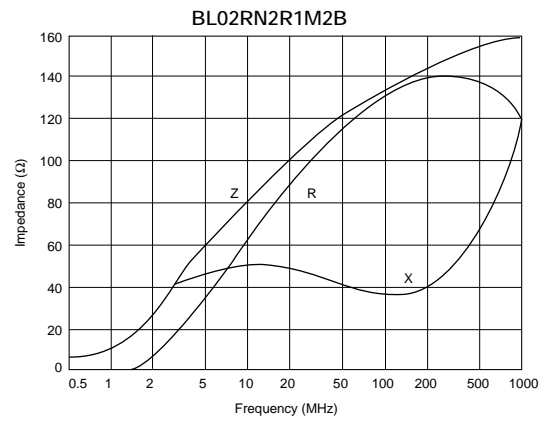
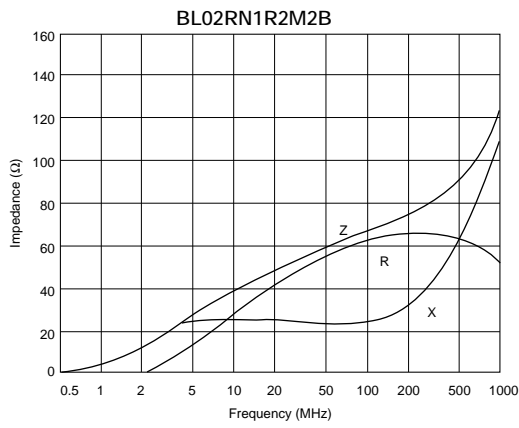
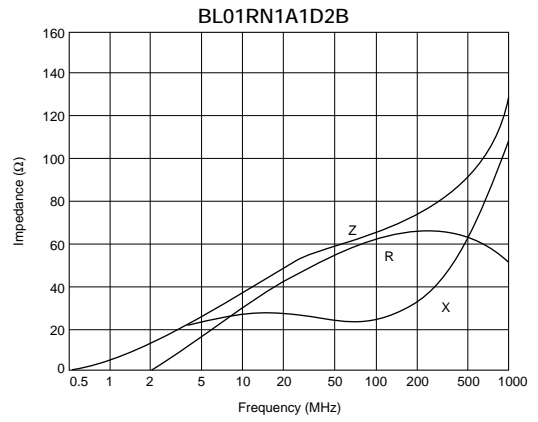
(in mm)

Part Number	Rated Current (mA)	Operating Temperature Range (°C)
BL01RN1A1D2B	7000	-40 to 85
BL01RN1A2A2B	7000	-40 to 85
BL02RN1R2M2B	7000	-40 to 85
BL02RN2R1M2B	7000	-40 to 85
BL03RN2R1M1B	6000	-40 to 85

■ Equivalent Circuit



■ Impedance-Frequency Characteristics



⚠ Note:**1. Export Control**

〈For customers outside Japan〉

Murata products should not be used or sold for use in the development, production, stockpiling or utilization of any conventional weapons or mass-destructive weapons (nuclear weapons, chemical or biological weapons, or missiles), or any other weapons.

〈For customers in Japan〉

For products which are controlled items subject to the "Foreign Exchange and Foreign Trade Law" of Japan, the export license specified by the law is required for export.

2. Please contact our sales representatives or product engineers before using our products listed in this catalog for the applications listed below which require especially high reliability for the prevention of defects which might directly cause damage to the third party's life, body or property, or when intending to use one of our products for other applications than specified in this catalog.

- ① Aircraft equipment
- ② Aerospace equipment
- ③ Undersea equipment
- ④ Power plant equipment
- ⑤ Medical equipment
- ⑥ Transportation equipment (vehicles, trains, ships, etc.)
- ⑦ Traffic signal equipment
- ⑧ Disaster prevention / crime prevention equipment
- ⑨ Data-processing equipment
- ⑩ Application of similar complexity and/or reliability requirements to the applications listed in the above

3. Product specifications in this catalog are as of April 2001. They are subject to change or our products in it may be discontinued without advance notice. Please check with our sales representatives or product engineers before your ordering. If there are any questions, please contact our sales representatives or product engineers.**4. The parts numbers and specifications listed in this catalog are for information only. You are requested to approve our product specification or to transact the approval sheet for product specification, before your ordering.****5. Please note that unless otherwise specified, we shall assume no responsibility whatsoever for any conflict or dispute that may occur in connection with the effect of our and/or third party's intellectual property rights and other related rights in consideration of your using our products and/or information described or contained in our catalogs. In this connection, no representation shall be made to the effect that any third parties are authorized to use the rights mentioned above under licenses without our consent.****6. None of ozone depleting substances (ODS) under the Montreal Protocol is used in manufacturing process of us.****Murata Manufacturing Co., Ltd.**<http://www.murata.co.jp/products/>**Head Office**

2-26-10, Tenjin Nagaokakyo-shi, Kyoto 617-8555, Japan Phone:81-75-951-9111

International Division3-29-12, Shibuya, Shibuya-ku, Tokyo 150-0002, Japan
Phone:81-3-5469-6123 Fax:81-3-5469-6155 E-mail:intl@murata.co.jp