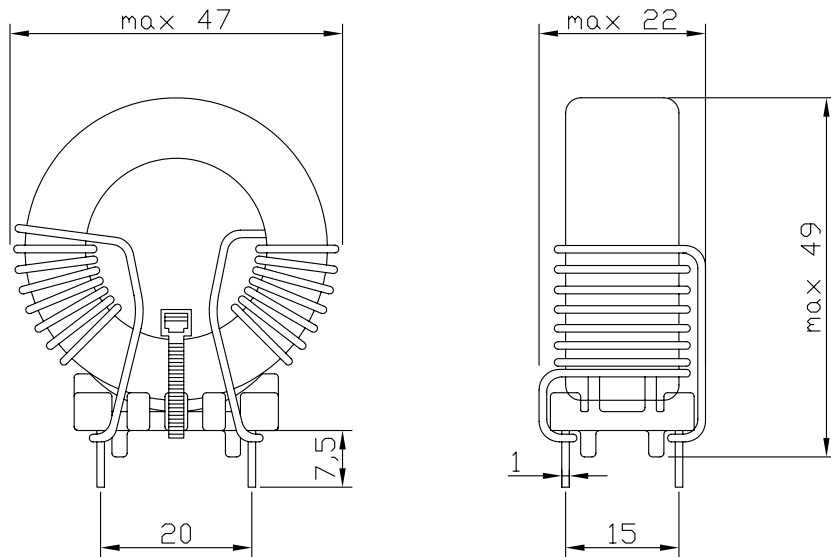
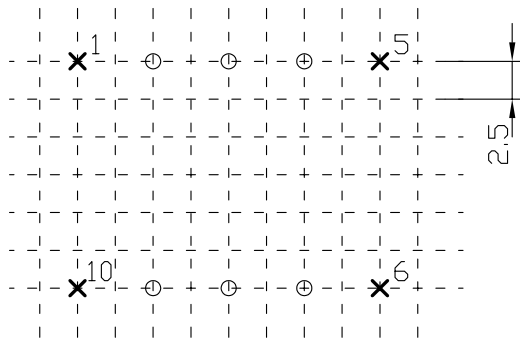


## Mechanical Drawing



all dimensions are in mm

## Pcb Footprint



(bottom view)

## Electrical Specification

winding	turns	Ø or AWG	type
1	7.5	1.4mm	G2-F155°
2	7.5	1.4mm	G2-F155°
3			
4			

## QC Measurements

winding	value
1	1.8μH ±20% measured at 1KHz
2	1.8μH ±20% measured at 1KHz
3	
4	

## Magnetic Material Specification

manufacturer	ordering code	material code (colour)
Micrometals	T157-2	2 - Red / Clear

## Other Materials and Notes

Mounted on TV-B2908-TA toroid header from MAGNETICS.

All rights are reserved, no copies or reproduce this document without our written consent.