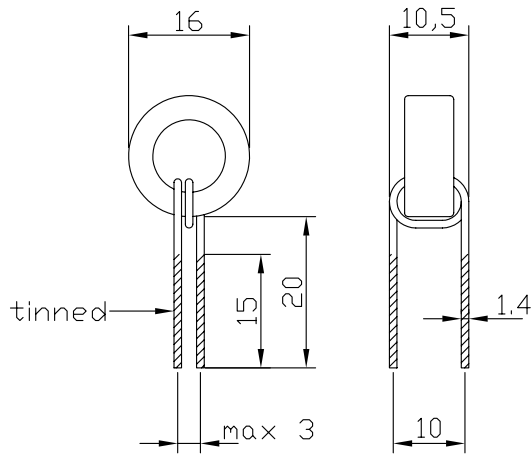
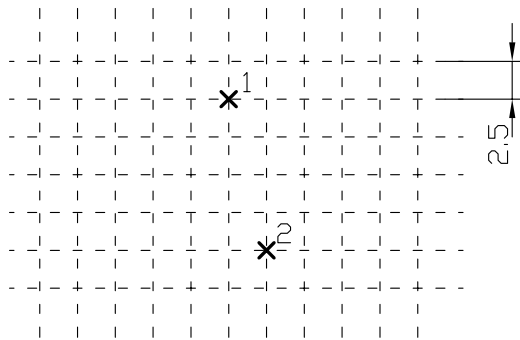


Mechanical Drawing



all dimensions are in mm

Pcb Footprint



(bottom view)

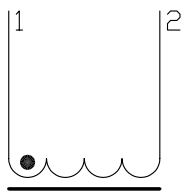
Electrical Specification

winding	turns	Ø or AWG	type
1	1.75	1.4mm	G2-F155°
2			
3			
4			

QC Measurements

winding	value
1	7.7 μ H \pm 20% measured at 1KHz
2	
3	
4	

Schematic Diagram



Magnetic Material Specification

manufacturer	ordering code	material code (col.)
Ferroxcube	TN16/9.6/6.3-3C90	3C90 - ultramarine

Other Materials and Notes

Each terminal must be tinned as specified above.

All rights are reserved, no copies or reproduce this document without our written consent.