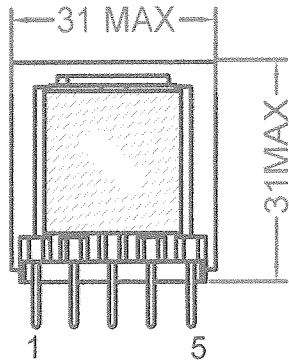
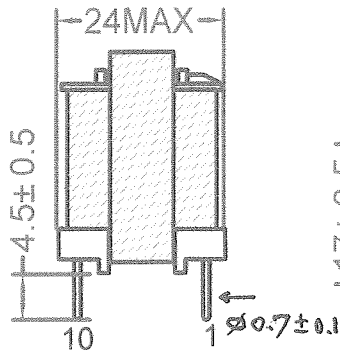


CUSTOMER	西成	DESCRIPTION	TRANSFORMER
----------	----	-------------	-------------

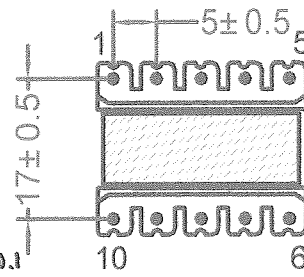
OUTLINE DIMENSION (UNIT:mm) :



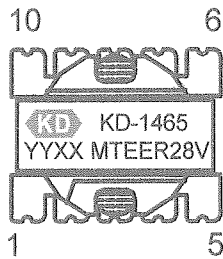
FRONT VIEW



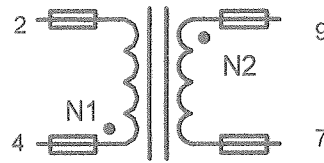
SIDE VIEW



BOTTOM VIEW



TOP VIEW

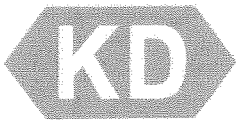


SCHEMATIC

ELECTRICAL CHARACTERISTIC:

NO.	ITEM	MEASUREMENT POINT	TECHNICAL DATA	REMARKS
1	INDUCTANCE	$L_{4-2}$	1.5mH±10% at 1KHz 0.25V	CH1062
2	HI-POT	P - S	2000VAC 5mA 60SEC	TOS8850
		W - C	1000VAC 5mA 60SEC	TOS8850
3	DCR	$R_{4-2}$	85mΩ MAX	AT 25°C
4	I / R	W-W/W - C	100MΩ MIN at DC500V	TOS8850

Remarks: 1、所有进出线穿铁氟龙套管.

 锐 龙 KEENDRAGON	DRAWN BY	CHECKED BY	APPROVED BY	CUSTOMER P/N	
				MODEL	MTEER28V
				DESIGN NO.	KD-1465
				DATE	08-Dec-04
				REV.NO.	01
			PAGE	2 / 4	



CUSTOMER	西成	DESCRIPTION	TRANSFORMER
----------	----	-------------	-------------

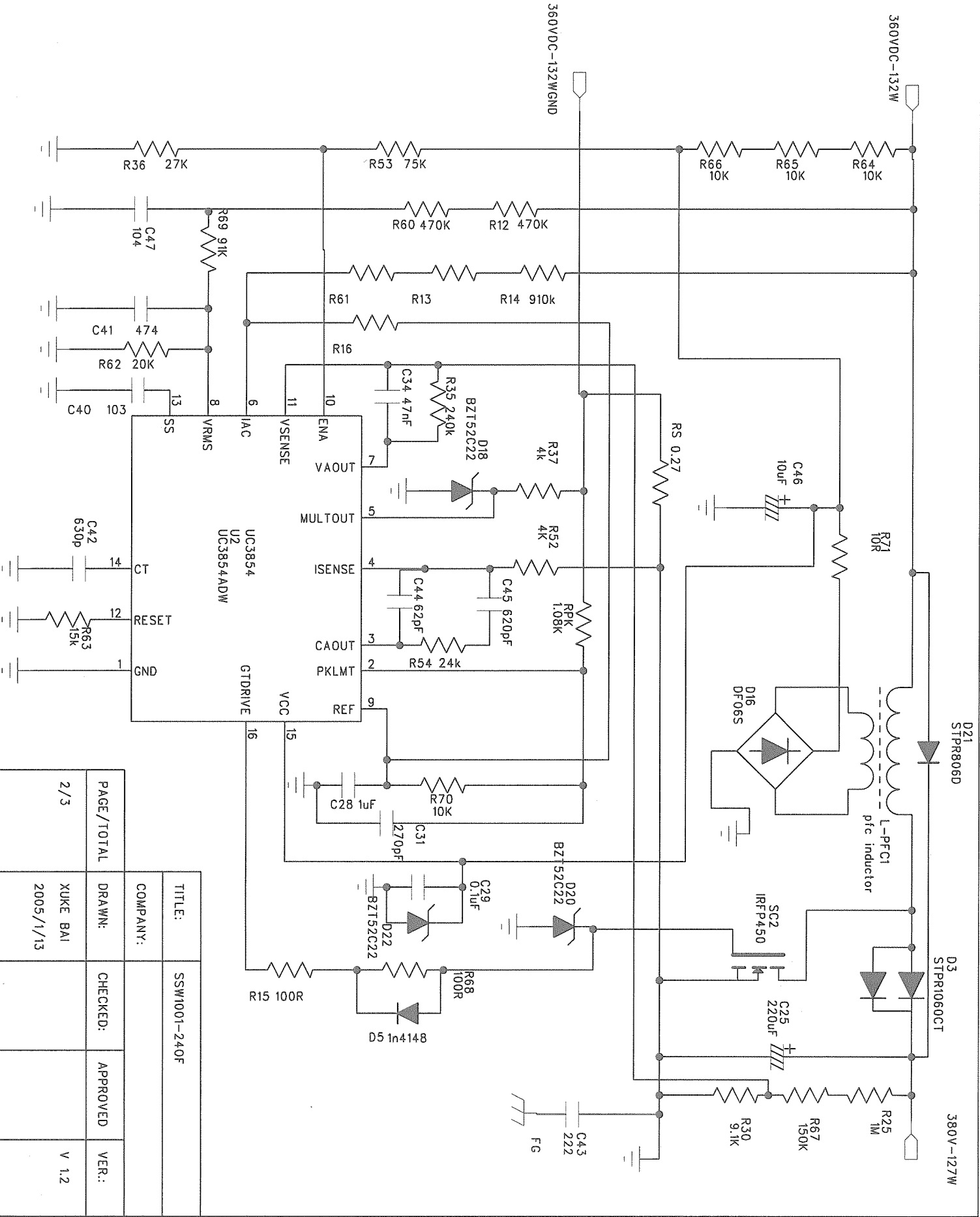
MATERIAL LIST:

NO.	ITEM	MATERIALS	SUPPLIERS	REMARKS
1	CORE-F	EER28V CP4	JING YUAN or Eq.	
2	BOBBIN	EER28V 10PIN	SUMITOMO BAKELITE CO., LTD. or Eq.	E41429(M)
3	WIRE-E	Ø0.35mm & Ø0.60mm ( 2UEW )	PROSPERITY ELECTRIC WIRE & CABLE CO., LTD.or Eq.	E196072
4	TAPE-P	JY312Y 0.05*10.5mm & 0.05*17mm	JINGYI SPECIAL ADHESIVE TAPE CO.,LTD. or Eq.	E188295
5	VARNISH	8562/C	HANG CHEUNG PETROCHEMICAL LTD. or Eq.	E200154
6	SLEEVING	T.F.L TUBE 23L & 26L	GREAT HOLDING	E156256

WINDING:

STEP	WINDING	MATERIALS	S - F	TURNS	Tape covering	REMARKS
1	N1	2UEW Ø0.60*1P	4--2	25TS	3Ts	Closed
2	N2	2UEW Ø0.35*1P	9--7	3TS	3Ts	Spacing

 锐 龙 KEENDRAGON	DRAWN BY	CHECKED BY	APPROVED BY	CUSTOMER P/N	
	<i>X.J.Xue</i> 薛晓娟	<i>B.Zeng</i> ( )		MODEL	MTEER28V
				DESIGN NO.	KD-1465
				DATE	08-Dec-04
				REV.NO.	01
			PAGE	3 / 4	



TITLE:		SSW1001-240F	
COMPANY:			
DRAWN:	XUKE BAI	CHECKED:	
DATE:	2005/1/13	APPROVED:	
VER.:	V 1.2		

PAGE/TOTAL  
2/3