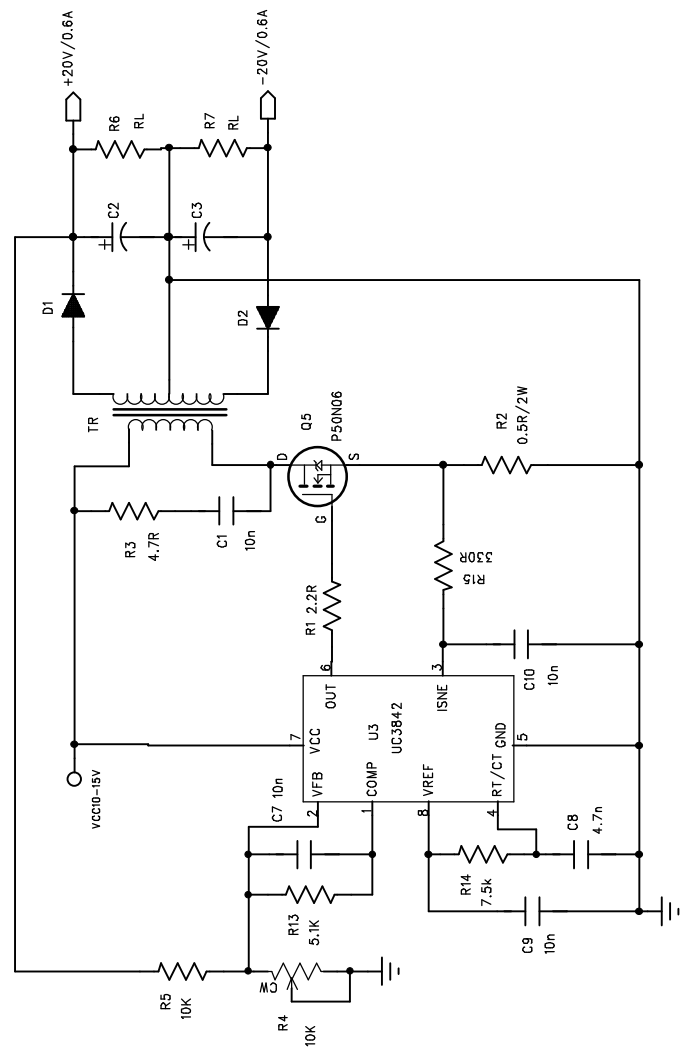


REVISION RECORD

1				
2				
3				
4				
5				
6				



HONGJIE GROUP

Size: A4	MODEL NO.:	REVISION:
DATE:		SHEET NO: 1
FILE NAME: xxx.sch		DESIGN BY:
		APPROVAL BY: