

开关电源适配器电气规格 Specification of switching power Adaptor (Model: HTSW-ADP42ABC)

PROPRIETARY INFORMATION: PROPRIETARY OF HAITONG ELECTRONIC CO., LTD.ANY REPRODUCTION,DISCLOSURE OR USE OF THIS DRAWING IN WHOLE OR IN PART, IS HEREBY PROHIBITED EXCEPT AS SPECIFIED IN WRITING BY HAITONG ELECTRONIC CO.,LTD.	REVISION			
	REV	DESCRIPTION	DATE	APPROVED
	A	INITIAL RELEASE	05/02/23	
	B	REDRAW TO NEW FORMAT,		

1. ELECTRICAL SPECIFICATION:
(电气规格)

1.1 INPUT (输入)

INPUT VOLTAGE: (输入电压)	100Vac TO 240Vac (Range max: 90Vac ~ 270Vac) 100Vac TO 240Vac (Range max: 90Vac ~ 270Vac)
INPUT CURRENT: (输入电流)	<1.0Arms AT 90Vac INPUT 在 90V 输入时 <1.0Arms
INPUT FREQUENCY: (输入频率)	47Hz-63Hz 47Hz-63Hz

1.2 OUTPUT (输出)

OUTPUT VOLTAGE: (输出电压)	24.0VDC 24.0VDC
OUTPUT CURRENT: (输出电流)	0.10 ~ 1.50A, min Load To Full Load, 0.10 ~ 1.50A , 最小负载至满载 ,
RATED OUTPUT POWER: (额定输出功率)	36Watts,Maximum 36W, 最大
OUTPUT REGULATION: (输出调整率)	+/-3% measured at the output connector 在输出连接端为 +/-3%
LINE VOLTAGE REGULATION: (线性电压调整率)	+/-1% typical measured at full load 在满载条件下为 +/- 1%
HIGH FREQ.OUTPUT RIPPLE: (高频输出纹波)	1% of output voltage,peak to peak,typical 输出电压的 1% , 峰值至峰值测试
TURN-ON/TURN-OFF OVERSHOOT: (开机, 关机电压过冲)	5% maximum,1mS typical recovery time for 25% step load 5% 最大, 在 25% 负载时 1mS 即恢复
TURN-ON DELAY TIME: (开机延迟时间)	1 second,typical 1 秒
HOLD-UP TIME: (关机维持时间)	10mS typical at on minal input voltage and full load 在最低输入电压及满载条件下为 10mS
INRUSH CURRENT: (突入电流)	40A typical at 115Vac input and 60A typical at 230Vac input 在 115Vac 输入时为 40A; 在 230Vac 输入时为 60A
SWITCHING FREQUENCY: (转换频率)	48KHz PWM circuit model 48KHZ,PWM 电路结构
EFFICIENCY: (效率)	80% typical at nominal input and full load 在正常输入及满载条件下为 80%

1.2 Static output characteristics 静态输出特性

Voltage name 电压名称	load Range 负载范围			OUTPUT REGULAT10N 输出电压范围		RIPPLE & NOISE
	min	max	peak			max mVp-p
+24.0V out	0.10A	1.50A	2.0A	+3%	-3%	60mv

DC OUTPUT Total Power: 36.0Watts max.

RIPPLE & NOISE TEST NOTE: 必须用一只 10uF/50V 电解电容和一只 0.1uF/100V 涤纶电容一起并接于被测试的电压输出端子, 示波器带宽应有 20MHz.

DWG TITLE: SWITCHING POWER ADAPTOR 36Watt. 24.0V@1.50A, SINGLE OUTPUT.
DESKTOP UNIVERSAL INPUT,ITE,CLASS FE;

HAITONG ELECTRONIC (QUANZHOU)CO.,LTD 泉州市海通电子设备有限公司	MODEL NO: PART NO:	HTSW-ADP42ABC	REV:A SHEET01of 17
---	-----------------------	---------------	-----------------------

开关电源适配器电气规格 Specification of switching power Adaptor (Model: HTSW-ADP42ABC)

PROPRIETARY INFORMATION: PROPRIETARY OF HAITONG ELECTRONIC CO.,LTD.ANY REPRODUCTION,DISCLOSURE OR USE OF THIS DRAWING IN WHOLE OR IN PART, IS HEREBY PROHIBITED EXCEPT AS SPECIFIED IN WRITING BY HAITONG ELECTRONIC CO.,LTD.	REVISION			
	REV	DESCRIPTION	DATE	APPROVED
	A	INITIAL RELEASE	05/02/23	
B	REDRAW TO NEW FORMAT,			

1.3 PROTECTION(保护)	
OVER-VOLTAGE PROTECTION: (过电压保护)	Voltage limited to less than 120%,crowbar method; 输出电压 > 120% 额定电压时, 保护电路动作电源无电压输出 ;
OVER-LOAD PROTECTION: (超负载保护)	Constant current method; 恒定电流法保护设计 ;
SHORT-CIRCUIT PROTECTION: (短路保护)	Momentary short circuit protectioned output will autorecover up on removal of short; 输出瞬间短路保护, 纠正后自动恢复 ;
INPUT PROTECTION: (输入保护)	Input fusing;line fusing 输入保险丝, 线路保险丝
1.4 SAFETY(安全性)	
DIELECTRIC WITHSTAND VOLTAGE For CLASS WITH FUNCTIONAL EARTH VERSIONS: (符合 CLASS 标准的接地绝缘电压)	1800Vac From primary to GND connector or secondary 从初级至接地端子 (或次级) 的耐电压为 1800Vac
EARTH LEAKAGE CURRENT: (对地漏电流)	<800uA at 264Vac input voltage 在 264Vac 输入电压时 <800uA
1.5 安规及 EMI 设计依据	
Design basis for the Safe standard and EMI	
ITE UNITS:	
Safe standard (安规)	According as TUV to EN60950 and UL60950 依据 TUV 文件中的 EN60950 及 UL60950 来设计
EMI: (EMI 标准)	Complies with EN55022 CLASS B and FCC part 15 CLASS B 依据 EN55022 CLASS B 标准及 FCC 文件中第 15 部份的 CLASS B 标准。
1.6 OTHERS(其他)	
MTBF : nominal (寿命)	Greater than 50000 hours at 25 ambient temperature line and full load per mil-217 standard 在 25 时寿命 >50000 小时
OPERATING TEMPERATURE: (操作温度)	0 ~40 AMBIENT TEMPERATURE 0 ~40
HUMIDITY: (湿度)	0%~90% relative humidity 相对湿度为 0%~90%
STORAGE TEMPERATURE: (贮藏温度)	-10 ~ 80 -10 ~ 80
DWG TITLE: SWITCHING POWER ADAPTOR 36Watt. 24.0V@1.50A, SINGLE OUTPUT. DESKTOP UNIVERSAL INPUT,ITE,CLASS FE;	
HAITONG ELECTRONIC (QUANZHOU)CO.,LTD 泉州市海通电子设备有限公司	MODEL NO: HTSW-ADP42ABC
PART NO:	REV:A SHEET02of 17

开关电源适配器电气规格 Specification of switching power Adaptor (Model: HTSW-ADP42ABC)

PROPRIETARY INFORMATION: PROPRIETARY OF HAITONG ELECTRONIC CO., LTD.ANY REPRODUCTION,DISCLOSURE OR USE OF THIS DRAWING IN WHOLE OR IN PART, IS HEREBY PROHIBITED EXCEPT AS SPECIFIED IN WRITING BY HAITONG ELECTRONIC CO.,LTD.	REVISION			
	REV	DESCRIPTION	DATE	APPROVED
	A	INITIAL RELEASE	05/02/23	
	B	REDRAW TO NEW FORMAT,		

2. ENCLOSURE/INPUT CONNECTOR CONFIGURATION(外壳及输入连接构造)

Dimensions are in mm unless specified otherwise (无特殊规定 , 测量单位为毫米)

Upper housing:high impact plastic,94VO polycarbonate,non-vented,color black

上盖 : 高压注塑外壳 , 94VO 聚碳酸酯 , 无通风孔 , 黑色

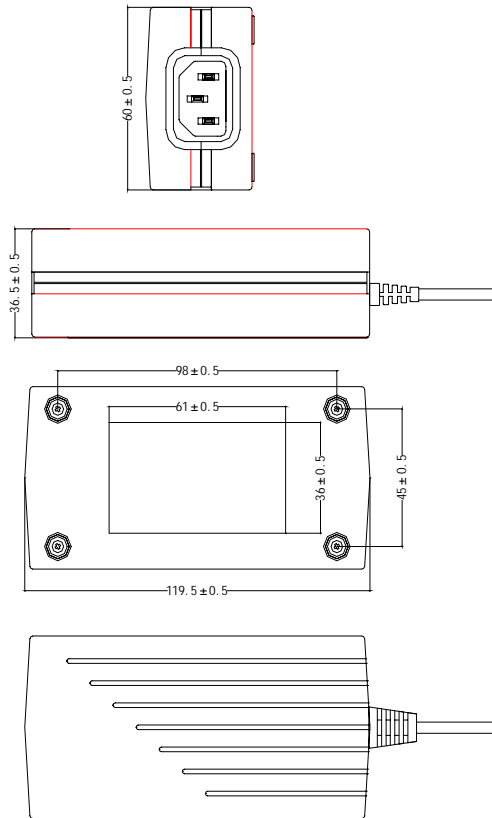
Lower housing: high impact plastic 94VO polycarbonate,non-vented,color black

下盖 : 高压注塑外壳 , 94VO 聚碳酸酯 , 无通风孔 , 黑色

2.1 DESKTOP CLASS II (-T2):

SIZE:118*59*37mm (尺寸 : 118*59*37mm)

Product net weight: 228g/pcs. (净重 : 228g/pcs)



INPUT CONNECTOR:(输入连接器)

Configuration: CLASS II model IEC320/C14-3, AC power receptacle with 3 male prongs.

(结构) IEC320/C14-3 标准 AC 插座 , AC 端为带 3 个公插的插座

DWG TITLE: SWITCHING POWER ADAPTOR 36Watt. 24.0V@1.50A, SINGLE OUTPUT.
 DESKTOP UNIVERSAL INPUT,ITE,CLASS FE;

HAITONG ELECTRONIC (QUANZHOU)CO.,LTD	MODEL NO:	HTSW-ADP42ABC	REV:A
泉州市海通电子设备有限公司	PART NO:		SHEET03of 17

开关电源适配器电气规格 Specification of switching power Adaptor (Model: HTSW-ADP42ABC)

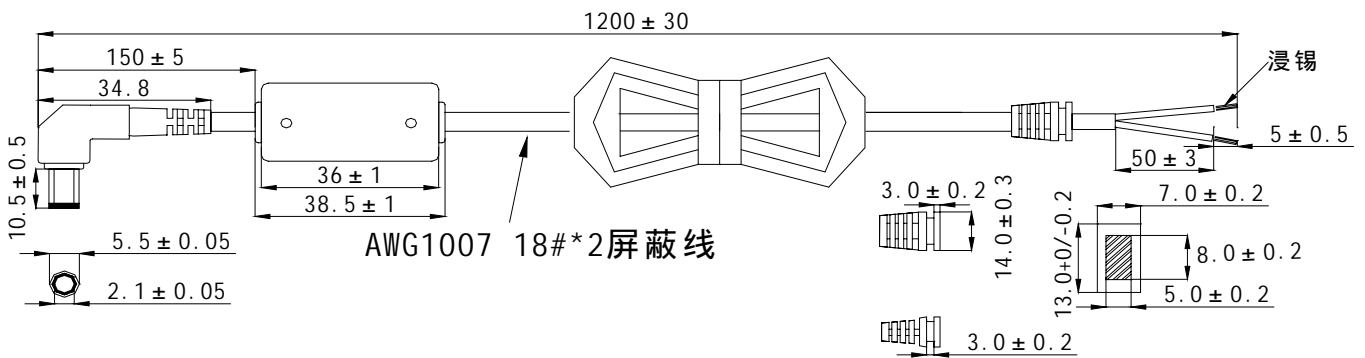
PROPRIETARY INFORMATION:
 PROPRIETARY OF HAITONG ELECTRONIC CO.,LTD.ANY
 REPRODUCTION,DISCLOSURE OR USE OF THIS
 DRAWING IN WHOLE OR IN PART, IS HEREBY
 PROHIBITED EXCEPT AS SPECIFIED IN WRITING BY
 HAITONG ELECTRONIC CO.,LTD.

REVISION			
REV	DESCRIPTION	DATE	APPROVED
A	INITIAL RELEASE	05/02/23	
B	REDRAW TO NEW FORMAT,		

3. OUTPUT CORD: (输出线)

2 conductor,18 AWG stranded wire,flat UL2468 cord type,color black, length(L) of cord:1120+100,-0mm.Cord is measured from the housing to the end of overmold of the connector.Cable is to be marked with wire gauge,and all applicable rating and safety approvals.

2条,18号铜线。线规符合UL2468,黑色,线长1120+100,-0mm。线的测量距离从机壳至连接器的塑模末端。线上标注有线的规格和所有适用等级及安规认证。

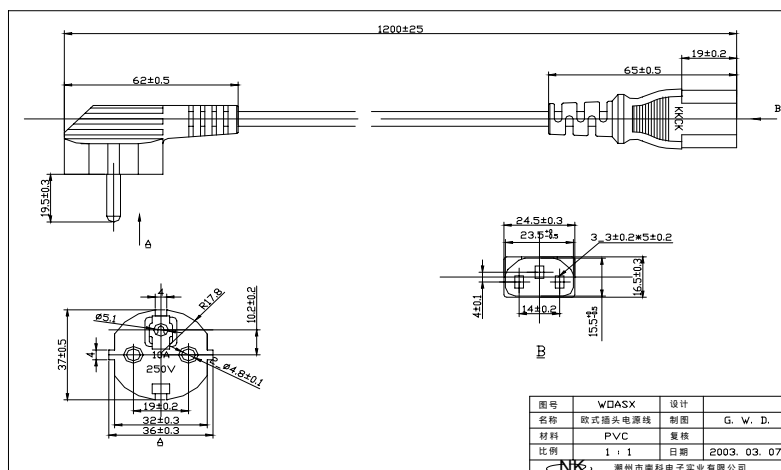


4. OUTPUT CONNECTOR: 输出连接器 :

Standard, straight female barrel 5.5mm*2.1mm*11mm center positive

标准规格,直母插,插头尺寸为5.5mm*2.1mm*11mm 中心为正级。

5. INPUT POWER CORD (输入电源线)



DWG TITLE: SWITCHING POWER ADAPTOR 36Watt. 24.0V@1.50A, SINGLE OUTPUT.
 DESKTOP UNIVERSAL INPUT,ITE,CLASS FE;

HAITONG ELECTRONIC (QUANZHOU)CO.,LTD	MODEL NO:	HTSW-ADP42ABC	REV:A
泉州市海通电子设备有限公司	PART NO:		SHEET04of 17

开关电源适配器电气规格 Specification of switching power Adaptor (Model: HTSW-ADP42ABC)

PROPRIETARY INFORMATION: PROPRIETARY OF HAITONG ELECTRONIC CO.,LTD.ANY REPRODUCTION,DISCLOSURE OR USE OF THIS DRAWING IN WHOLE OR IN PART, IS HEREBY PROHIBITED EXCEPT AS SPECIFIED IN WRITING BY HAITONG ELECTRONIC CO.,LTD.	REVISION			
	REV	DESCRIPTION	DATE	APPROVED
	A	INITIAL RELEASE	05/02/23	
	B	REDRAW TO NEW FORMAT,		

6. LABEL: 标签

Material: .007(0.18) thick flat thermal transfer,imprintable,white or gray polyester sheet with black nomenclature.

材料：.007 (0.18) 厚热转移，非印刷的，白色或灰色聚酯薄纸上配予黑字。

MANUFACTURER: Steven label,material ID NO.3302-33,UL FILE NO.MH1282(N).UL material designation file NO. GHW332RL.Optional label material can be substituted providing.Material is UL listed and complies with applicable safety requirements.

制造商：材料 ID 号为 3302-33，UL 文件号为 MH1282 (N).UL 材料设计文件号为 GHW332RL. 可选用的标签材料可代替 UL 列表中的材料。且此材料符合所需的安规认证。

CAUTION: FOR INDOOR USE ONLY

警告：只适合于室内使用。

ATTENTION:POUR UTILISATION A L'INTERUR SEULAMENT

注意：*****



DWG TITLE: SWITCHING POWER ADAPTOR 36Watt. 24.0V@1.50A, SINGLE OUTPUT. DESKTOP UNIVERSAL INPUT,ITE,CLASS FE;

HAITONG ELECTRONIC (QUANZHOU)CO.,LTD	MODEL NO:	HTSW-ADP42ABC	REV:A
泉州市海通电子设备有限公司	PART NO:		SHEET05of 17

开关电源适配器电气规格 Specification of switching power Adaptor (Model: HTSW-ADP42ABC)

PROPRIETARY INFORMATION: PROPRIETARY OF HAITONG ELECTRONIC CO.,LTD.ANY REPRODUCTION,DISCLOSURE OR USE OF THIS DRAWING IN WHOLE OR IN PART, IS HEREBY PROHIBITED EXCEPT AS SPECIFIED IN WRITING BY HAITONG ELECTRONIC CO.,LTD.	REVISION			
	REV	DESCRIPTION	DATE	APPROVED
	A	INITIAL RELEASE	05/02/23	
	B	REDRAW TO NEW FORMAT,		

7. INDIVIDUAL PACKING BOX: 独立包装盒

MATERIAL: corrugated fiberboard,F-Flute 0.8(2.0) thick,double wall construction.

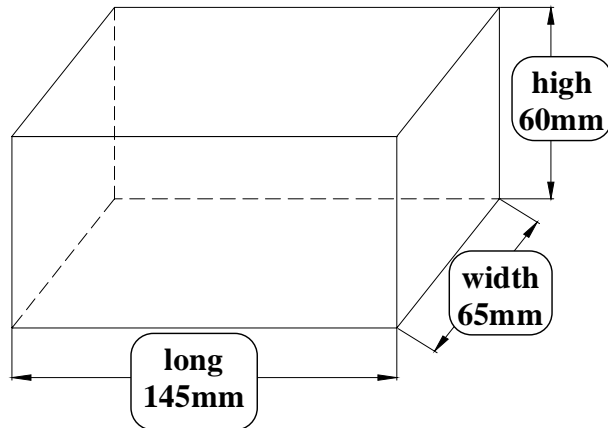
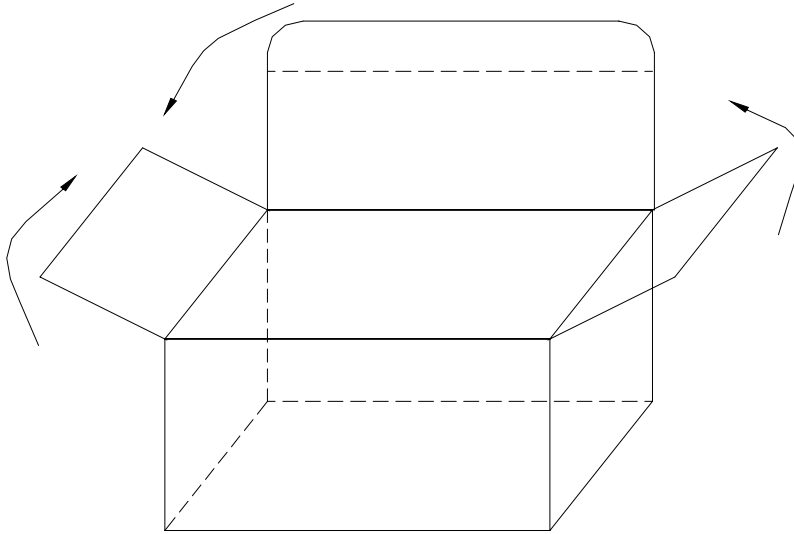
材料: 波状纤维板, F-FLUTE 凹槽厚为 0.8 (2.0), 双面档墙结构。

EXTERNAL FINISH: white ,coated with gloss finish (aqueous or varnish)

外表: 白色, 外表经过打光处理 (水或凡立水)

STYLE: Tuck sides with locking tabs on both sides of box.No printing on the outside of box.

设计: 沿边缘的虚线将纸壳折起, 纸壳外表无印花。



(单层 A&B 外箱尺寸 : L450mm * W260mm * H250mm + 内附薄膜口袋包装方式 + 内部包装成品盒, 每箱包装 48PCS 成品 = 48 盒产品 * 1PCS/ 盒, 产品单重 230g * 48 盒 = 净重 11.0kg/ 箱 ; 每箱毛重 : 12.0Kg/ 箱。)

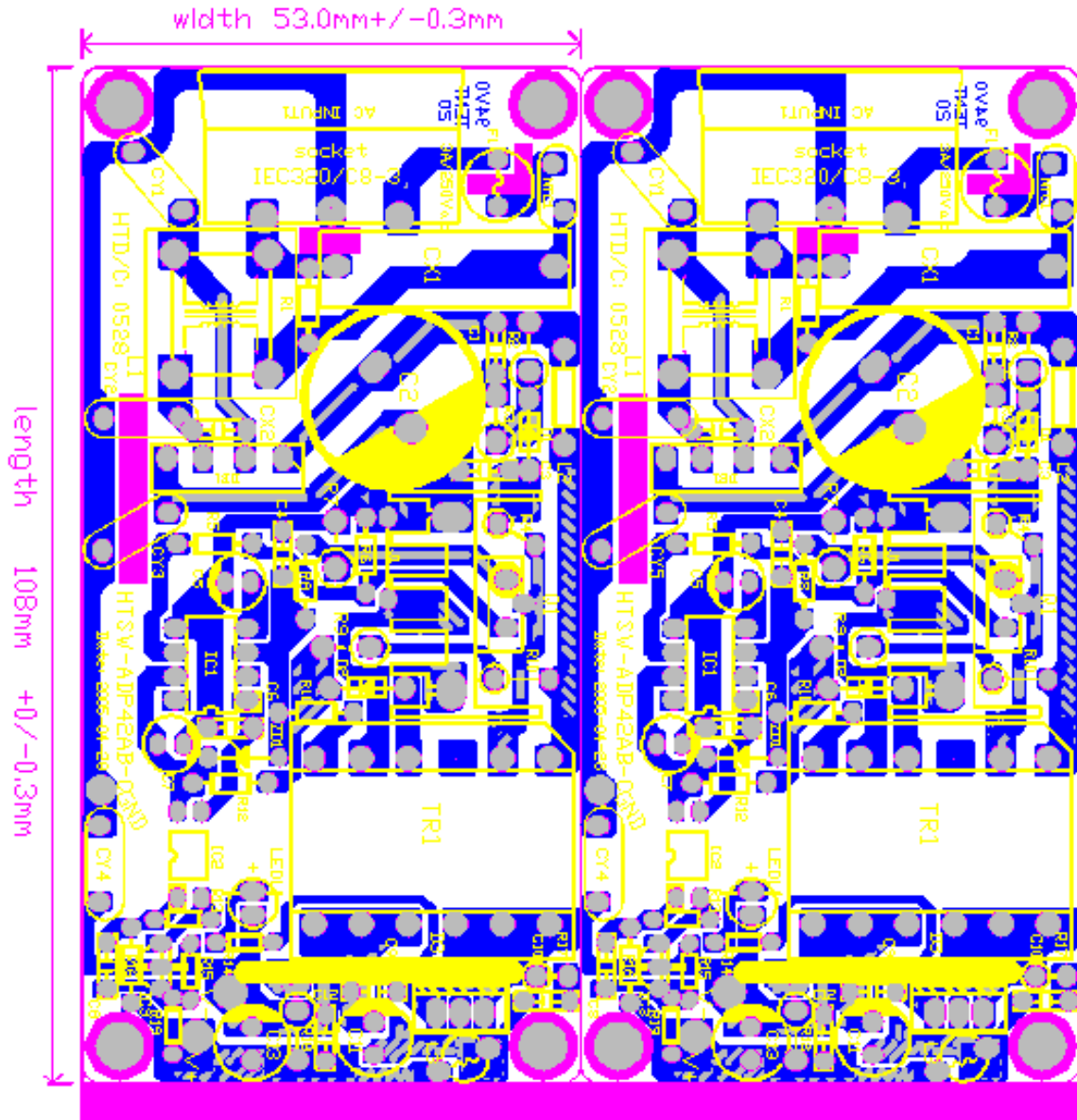
DWG TITLE: SWITCHING POWER ADAPTOR 36Watt. 24.0V@1.50A, SINGLE OUTPUT. DESKTOP UNIVERSAL INPUT,ITE,CLASS FE;			
HAITONG ELECTRONIC (QUANZHOU)CO.,LTD	MODEL NO:	HTSW-ADP42ABC	REV:A
泉州市海通电子设备有限公司	PART NO:		SHEET06of 17

开关电源适配器电气规格 Specification of switching power Adaptor (Model: HTSW-ADP42ABC)

PROPRIETARY INFORMATION: PROPRIETARY OF HAITONG ELECTRONICCO., LTD.ANY REPRODUCTION,DISCLOSURE OR USE OF THIS DRAWING IN WHOLE OR IN PART, IS HEREBY PROHIBITED EXCEPT AS SPECIFIED IN WRITING BY HAITONG ELECTRONIC CO.,LTD.	REVISION			
	REV	DESCRIPTION	DATE	APPROVED
	A	INITIAL RELEASE	05/02/23	
	B	REDRAW TO NEW FORMAT,		

8. 产品 PCB 元件序号丝印图 A:

Silk-screen drawingA for the Component sequence number on the PCB



DWG TITLE: SWITCHING POWER ADAPTOR 36Watt. 24.0V@1.50A, SINGLE OUTPUT. DESKTOP UNIVERSAL INPUT,ITE,CLASS FE;			
HAITONG ELECTRONIC (QUANZHOU)CO.,LTD 泉州市海通电子设备有限公司	MODEL NO: PART NO:	HTSW-ADP42ABC	REV:A SHEET07of 17

开关电源适配器电气规格 Specification of switching power Adaptor (Model: HTSW-ADP42ABC)

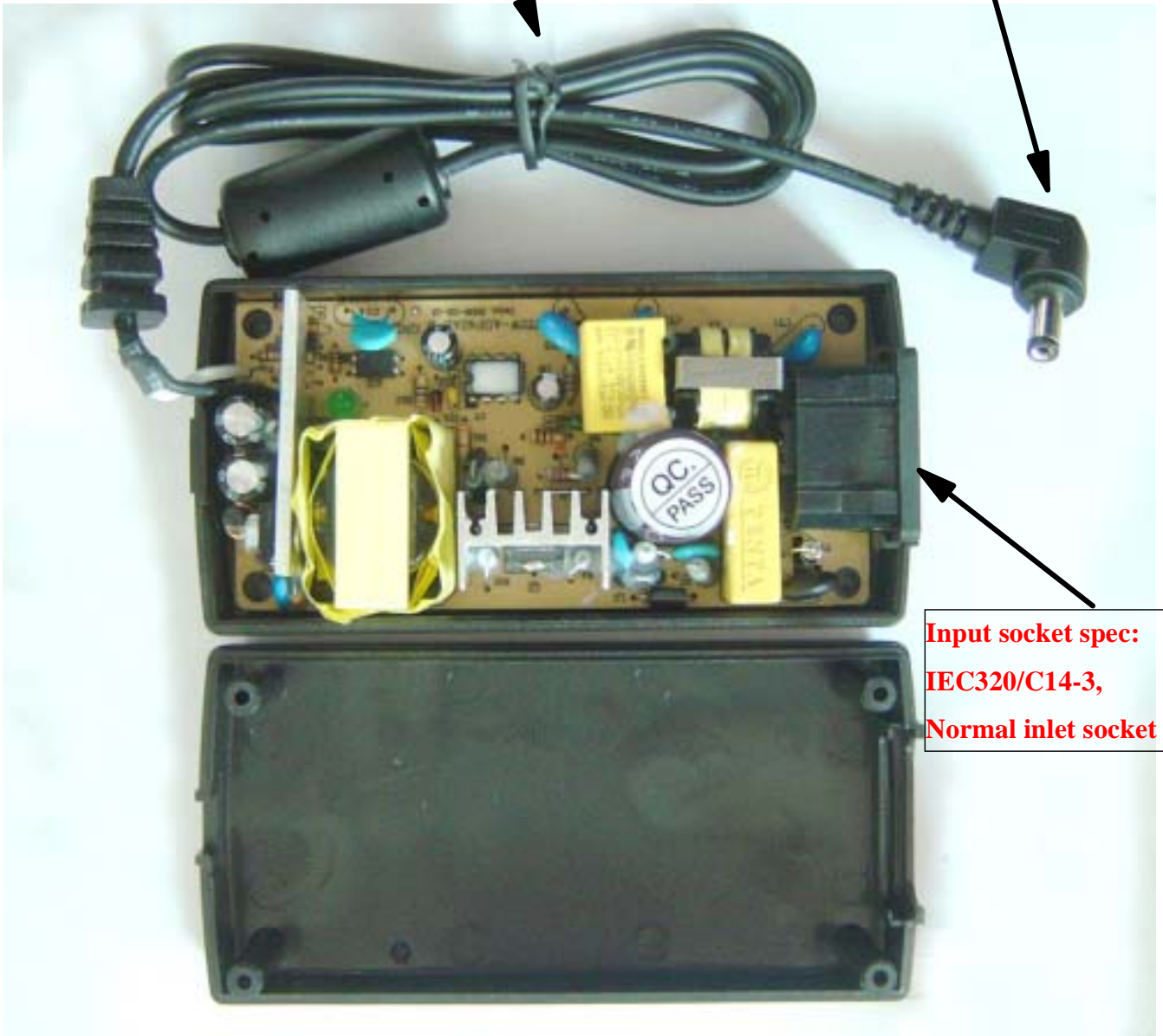
PROPRIETARY INFORMATION:
 PROPRIETARY OF HAITONG ELECTRONIC CO., LTD.ANY
 REPRODUCTION,DISCLOSURE OR USE OF THIS
 DRAWING IN WHOLE OR IN PART, IS HEREBY
 PROHIBITED EXCEPT AS SPECIFIED IN WRITING BY
 HAITONG ELECTRONIC CO.,LTD.

REVISION			
REV	DESCRIPTION	DATE	APPROVED
A	INITIAL RELEASE	05/02/23	
B	REDRAW TO NEW FORMAT,		

9. 产品实物外观图
 The Outlook of power supply
 (UNIT:mm)

Output cable spec:
AWG1007, 18# * 2 * 1200mm

Output connector spec:
5.50mm* 2.10mm*11.0mm



Input socket spec:
IEC320/C14-3,
Normal inlet socket

DWG TITLE: SWITCHING POWER ADAPTOR 36Watt. 24.0V@1.50A, SINGLE OUTPUT.
 DESKTOP UNIVERSAL INPUT,ITE,CLASS FE;

HAITONG ELECTRONIC (QUANZHOU)CO.,LTD	MODEL NO:	HTSW-ADP42ABC	REV:A
泉州市海通电子设备有限公司	PART NO:		SHEET08of 17

开关电源适配器电气规格 Specification of switching power Adaptor (Model: HTSW-ADP42ABC)

PROPRIETARY INFORMATION: PROPRIETARY OF HAITONG ELECTRONIC CO.,LTD.ANY REPRODUCTION,DISCLOSURE OR USE OF THIS DRAWING IN WHOLE OR IN PART, IS HEREBY PROHIBITED EXCEPT AS SPECIFIED IN WRITING BY HAITONG ELECTRONIC CO.,LTD.	REVISION			
	REV	DESCRIPTION	DATE	APPROVED
	A	INITIAL RELEASE	05/02/23	
	B	REDRAW TO NEW FORMAT,		

10. Power Adaptor Sample Test Report

Test Date: 2005--04--08

Report No.: Adaptor HTSWD20050623 - 040

Specification: AC input: 85 ~ 270Vac DC output: 24.0Vdc/1.50A (Voltage Range: 23.50Vdc ~ 24.50Vdc)

Test equipment and instrument: Programmable AC Power Source+Programmable AC Power Electronic Load+Digital Stotage Oscilloscope+Temperature Test instrument

Test Item	Test Condition	Check Item	CHARGER PCB 01#	CHARGER PCB 02#	CHARGER PCB 03#	CHARGER PCB 04#
1: AC Input 85V/50Hz						
DC Output 0A Load (DC output no load)	Output Voltage Value(Unit:V)		24.02V	24.12V	24.28V	24.18V
	ripple&noise (Unit:mV)		5mV	5mV	5mV	5mV
	Input AC Power (Unit: W)		0.8W	0.9W	0.9W	0.8W
DC Output 50% max Load (DC output 1.25A load)	Output Voltage Value(Unit:V)		23.97V	24.02V	24.12V	24.05V
	ripple&noise (Unit:mV)		25mV	23mV	28mV	25mV
	Input AC Power (Unit: W)		22.2W	22.5W	22.2W	22.6W
DC Output 100% Load (DC output 2.50A load)	Output Voltage Value(Unit:V)		23.91V	23.95V	24.02V	23.98V
	ripple&noise (Unit:mV)		38mV	35mV	42mV	38mV
Efficiency (AC Input 85V/50Hz, Output Max Load)			83.07%	82.98%	82.35%	83.88%
A short circuit placed between DC return and output shall cause no damage and the power supply shall shut down.			OK	OK	OK	OK
2: AC Input 180V/50Hz		Judgement 01	PASS 10	PASS 10	PASS 10	PASS 10
DC Output 0A Load (DC output no load)	Output Voltage Value(Unit:V)		24.02V	24.10V	24.25V	24.19V
	ripple&noise (Unit:mV)		6mV	5mV	5mV	5mV
	Input AC Power (Unit: W)		1.2W	1.3W	1.4W	1.5W
DC Output 50% max Load (DC output 1.25A load)	Output Voltage Value(Unit:V)		23.97V	24.00V	24.10V	24.04V
	ripple&noise (Unit:mV)		20mV	23mV	28mV	25mV
	Input AC Power (Unit: W)		22.0W	22.1W	22.4W	22.3W
DC Output 100% Load (DC output 2.50A load)	Output Voltage Value(Unit:V)		23.92V	23.97V	24.05V	23.95V
	ripple&noise (Unit:mV)		28mV	32mV	31mV	25mV
Efficiency (AC Input 180V/50Hz, Output Max Load)			85.38%	85.05%	84.88%	85.68%
A short circuit placed between DC return and output shall cause no damage and the power supply shall shut down.			OK	OK	OK	OK
3: AC Input 270V/50Hz		Judgement 02	PASS 10	PASS 10	PASS 10	PASS 10
DC Output 0A Load (DC output no load)	Output Voltage Value(Unit:V)		24.02V	24.10V	24.30V	24.17V
	ripple&noise (Unit:mV)		8mV	5mV	5mV	5mV
	Input AC Power (Unit: W)		1.4W	1.5W	1.4W	1.5W
DC Output 50% max Load (DC output 1.25A load)	Output Voltage Value(Unit:V)		23.97V	24.01V	24.08V	24.05V
	ripple&noise (Unit:mV)		20mV	23mV	25mV	25mV
	Input AC Power (Unit: W)		22.5W	22.5W	22.8W	22.6W
DC Output 100% Load (DC output 2.50A load)	Output Voltage Value(Unit:V)		23.91V	23.93V	24.05V	23.97V
	ripple&noise (Unit:mV)		25mV	30mV	33mV	28mV
Efficiency (AC Input 270V/50Hz, Output Max Load)			83.68%	84.21%	83.25%	84.05%
A short circuit placed between DC return and output shall cause no damage and the power supply shall shut down.			OK	OK	OK	OK
HI-POT TEST Pri--to---GND 2750Vac/3mA/60S			PASS	PASS	PASS	PASS
Integrated Gudgegment:	Judgement 03		PASS II	PASS II	PASS II	PASS II
	PASS!		Check by	Pan	Date	2005. 06. 12

DWG TITLE: SWITCHING POWER ADAPTOR 36Watt. 24.0V@1.50A, SINGLE OUTPUT.

DESKTOP UNIVERSAL INPUT,ITE,CLASS FE;

HAITONG ELECTRONIC (QUANZHOU)CO.,LTD	MODEL NO:	HTSW-ADP42ABC	REV:A
泉州市海通电子设备有限公司	PART NO:		SHEET09of 17

开关电源适配器电气规格 Specification of switching power Adaptor (Model: HTSW-ADP42ABC)

PROPRIETARY INFORMATION:
 PROPRIETARY OF HAITONG ELECTRONIC CO., LTD. ANY
 REPRODUCTION, DISCLOSURE OR USE OF THIS
 DRAWING IN WHOLE OR IN PART, IS HEREBY
 PROHIBITED EXCEPT AS SPECIFIED IN WRITING BY
 HAITONG ELECTRONIC CO., LTD.

REVISION			
REV	DESCRIPTION	DATE	APPROVED
A	INITIAL RELEASE	05/02/23	
B	REDRAW TO NEW FORMAT,		

11. Power Adaptor Sample EMI Test Report

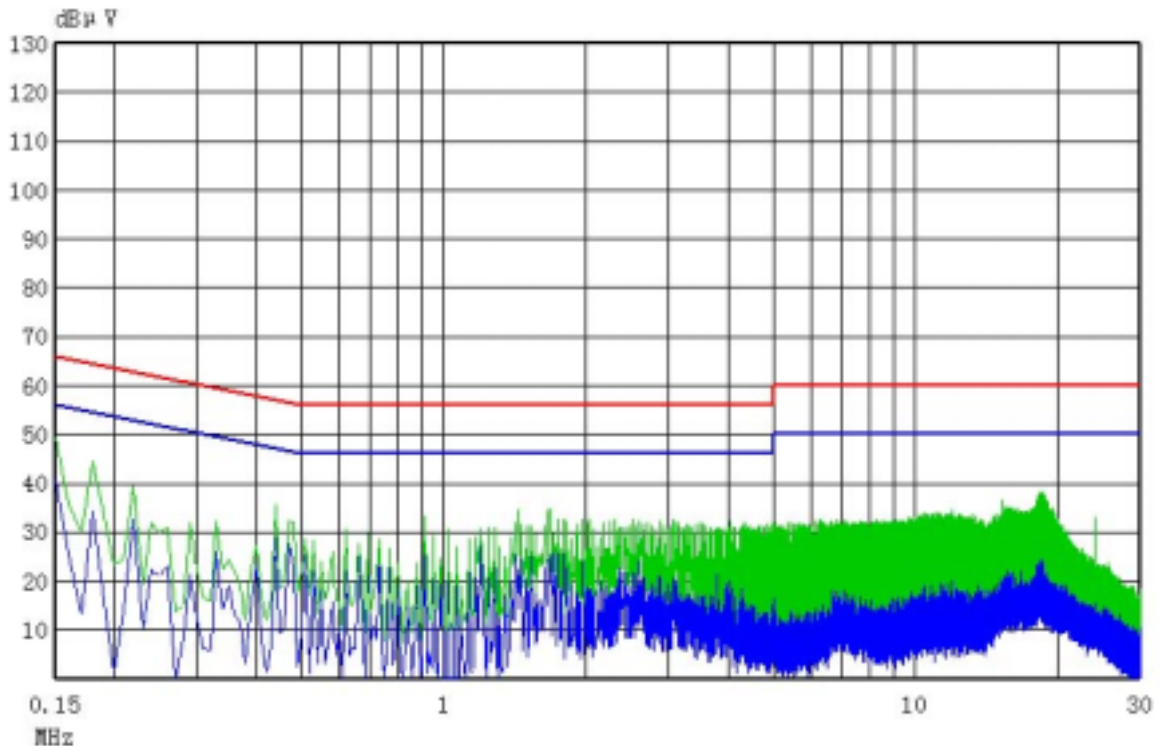
EMI----CE EN55022 测试报告见附页。

EMC300A电磁兼容·传导干扰测试报告

名称:	ADP	编号:	1#-L
型号:	ADP42ABC-24V/36W	规格:	24V/1.50A/36W
温度:	28℃	湿度:	%
制造商:	海通电子	检测单位:	
操作员:		引用标准:	EN55022
测试日期:	2005-6-29		

扫频参数

频率			接收机		
开始	停止	步长	带宽	测试项目	测试时间
0.15MHz	30.00MHz	10kHz	9kHz	峰值、平均值	10ms



备注:

input: 220Vac; output: 24.0Vdc/1.50A/36W

DWG TITLE: SWITCHING POWER ADAPTOR 36Watt. 24.0V@1.50A, SINGLE OUTPUT.

DESKTOP UNIVERSAL INPUT,ITE,CLASS FE;

HAITONG ELECTRONIC (QUANZHOU)CO.,LTD	MODEL NO:	HTSW-ADP42ABC	REV:A
泉州市海通电子设备有限公司	PART NO:		SHEET10of 17

开关电源适配器电气规格 Specification of switching power Adaptor (Model: HTSW-ADP42ABC)

PROPRIETARY INFORMATION:
 PROPRIETARY OF HAITONG ELECTRONIC CO., LTD.ANY
 REPRODUCTION,DISCLOSURE OR USE OF THIS
 DRAWING IN WHOLE OR IN PART, IS HEREBY
 PROHIBITED EXCEPT AS SPECIFIED IN WRITING BY
 HAITONG ELECTRONIC CO.,LTD.

REVISION			
REV	DESCRIPTION	DATE	APPROVED
A	INITIAL RELEASE	05/02/23	
B	REDRAW TO NEW FORMAT,		

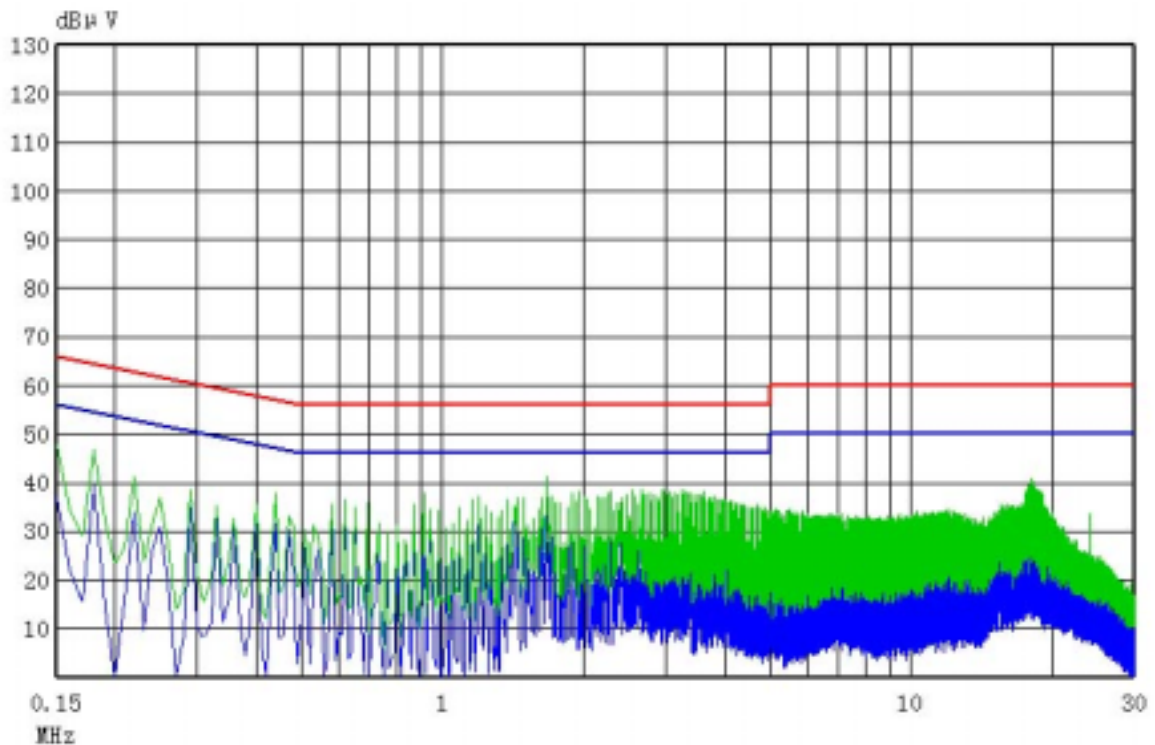
12. Power Adaptor Sample EMI Test Report

EMI----CE EN55022 测试报告见附页。

EMC300A电磁兼容·传导干扰测试报告

名称:	ADP	编号:	1#-M
型号:	ADP42ABC-24V/36W	规格:	24V/1.50A/36W
温度:	28℃	湿度:	%
制造商:	海通电子	检测单位:	
操作员:		引用标准:	EN55022
测试日期:	2005-6-29		

扫描参数			接收机		
开始	停止	步长	带宽	测试项目	测试时间
0.15MHz	30.00MHz	10kHz	9kHz	峰值、平均值	10ms



备注:
 input: 220Vac; output: 24.0Vdc/1.50A/36W

DWG TITLE: SWITCHING POWER ADAPTOR 36Watt. 24.0V@1.50A, SINGLE OUTPUT.

DESKTOP UNIVERSAL INPUT,ITE,CLASS FE;

HAITONG ELECTRONIC (QUANZHOU)CO.,LTD	MODEL NO:	HTSW-ADP42ABC	REV:A
泉州市海通电子设备有限公司	PART NO:		SHEET11of 17

开关电源适配器电气规格 Specification of switching power Adaptor (Model: HTSW-ADP42ABC)

PROPRIETARY INFORMATION:
 PROPRIETARY OF HAITONG ELECTRONIC CO., LTD.ANY
 REPRODUCTION,DISCLOSURE OR USE OF THIS
 DRAWING IN WHOLE OR IN PART, IS HEREBY
 PROHIBITED EXCEPT AS SPECIFIED IN WRITING BY
 HAITONG ELECTRONIC CO.,LTD.

REVISION			
REV	DESCRIPTION	DATE	APPROVED
A	INITIAL RELEASE	05/02/23	
B	REDRAW TO NEW FORMAT,		

13. Power Adaptor Sample EMI Test Report

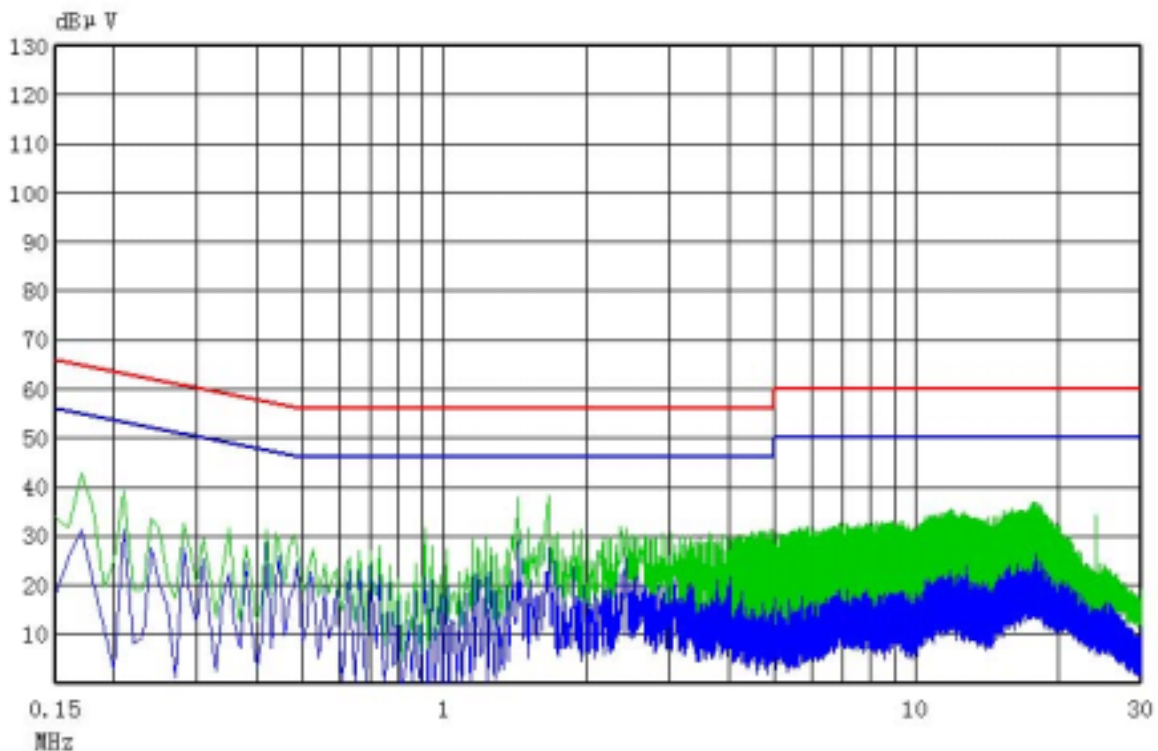
EMI----CE EN55022 测试报告见附页。

EMC300A电磁兼容·传导干扰测试报告

名称: ADP	编号: 2#-L
型号: ADP42ABC-24V/36W	规格: 24V/1.50A/36W
温度: 28℃	湿度: %
制造商: 海通电子	检测单位:
操作员:	引用标准: EN55022
测试日期: 2005-6-29	

扫频参数

频率			接收机		
开始	停止	步长	带宽	测试项目	测试时间
0.15MHz	30.00MHz	10kHz	9kHz	峰值、平均值	10mS



备注:
 input: 220Vac; output: 24.0Vdc/1.50A/36W

DWG TITLE: SWITCHING POWER ADAPTOR 36Watt. 24.0V@1.50A, SINGLE OUTPUT.

DESKTOP UNIVERSAL INPUT,ITE,CLASS FE;

HAITONG ELECTRONIC (QUANZHOU)CO.,LTD	MODEL NO:	HTSW-ADP42ABC	REV:A
泉州市海通电子设备有限公司	PART NO:		SHEET12of 17

开关电源适配器电气规格 Specification of switching power Adaptor (Model: HTSW-ADP42ABC)

PROPRIETARY INFORMATION:
 PROPRIETARY OF HAITONG ELECTRONIC CO., LTD.ANY
 REPRODUCTION,DISCLOSURE OR USE OF THIS
 DRAWING IN WHOLE OR IN PART, IS HEREBY
 PROHIBITED EXCEPT AS SPECIFIED IN WRITING BY
 HAITONG ELECTRONIC CO.,LTD.

REVISION			
REV	DESCRIPTION	DATE	APPROVED
A	INITIAL RELEASE	05/02/23	
B	REDRAW TO NEW FORMAT,		

14. Power Adaptor Sample EMI Test Report

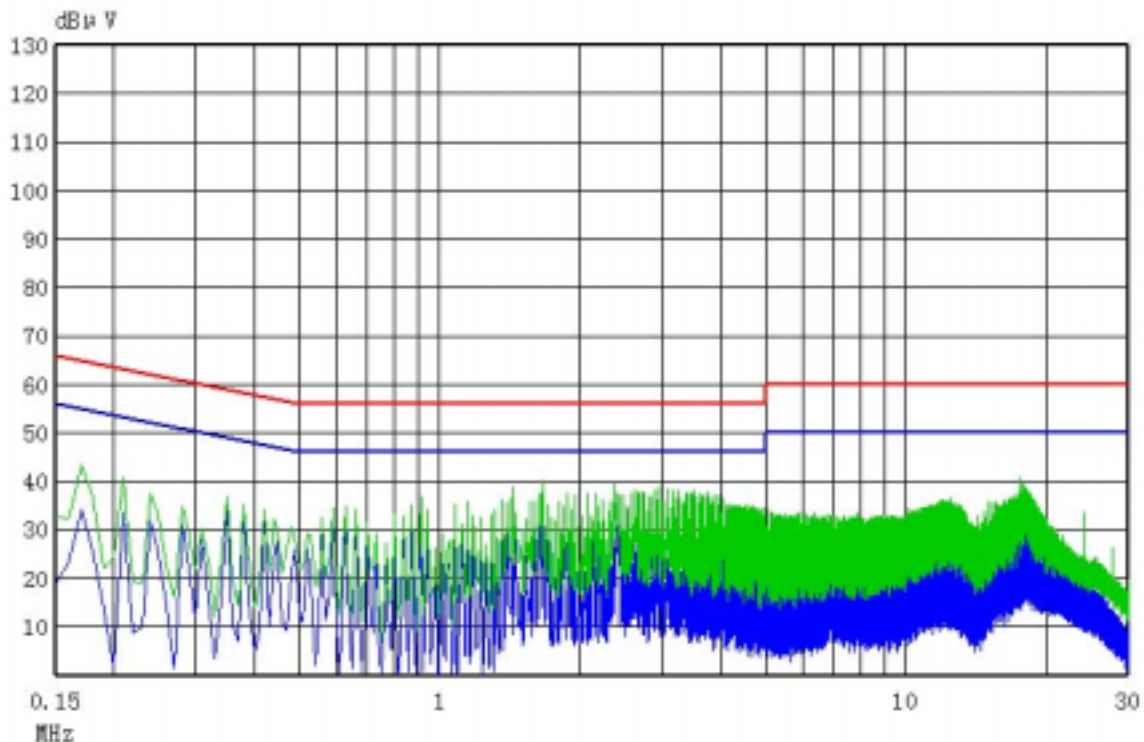
EMI----CE EN55022 测试报告见附页。

EMC300A电磁兼容·传导干扰测试报告

名称:	ADP	编号:	2#-B
型号:	ADP42ABC-24V/36W	规格:	24V/1.50A/36W
温度:	28℃	湿度:	%
制造商:	海通电子	检测单位:	
操作员:		引用标准:	EN55022
测试日期:	2005-6-29		

扫频参数

频率			接收机		
开始	停止	步长	带宽	测试项目	测试时间
0.15MHz	30.00MHz	10kHz	9kHz	峰值、平均值	10ms



备注:
 input: 220Vacs output: 24.0Vdc/1.50A/36W

DWG TITLE: SWITCHING POWER ADAPTOR 36Watt. 24.0V@1.50A, SINGLE OUTPUT.

DESKTOP UNIVERSAL INPUT,ITE,CLASS FE;

HAITONG ELECTRONIC (QUANZHOU)CO.,LTD	MODEL NO:	HTSW-ADP42ABC	REV:A
泉州市海通电子设备有限公司	PART NO:		SHEET13of 17

开关电源适配器电气规格 Specification of switching power Adaptor (Model: HTSW-ADP42ABC)

PROPRIETARY INFORMATION:
 PROPRIETARY OF HAITONG ELECTRONIC CO., LTD.ANY
 REPRODUCTION,DISCLOSURE OR USE OF THIS
 DRAWING IN WHOLE OR IN PART, IS HEREBY
 PROHIBITED EXCEPT AS SPECIFIED IN WRITING BY
 HAITONG ELECTRONIC CO.,LTD.

REVISION			
REV	DESCRIPTION	DATE	APPROVED
A	INITIAL RELEASE	05/02/23	
B	REDRAW TO NEW FORMAT,		

15. Power Adaptor Sample EMI Test Report

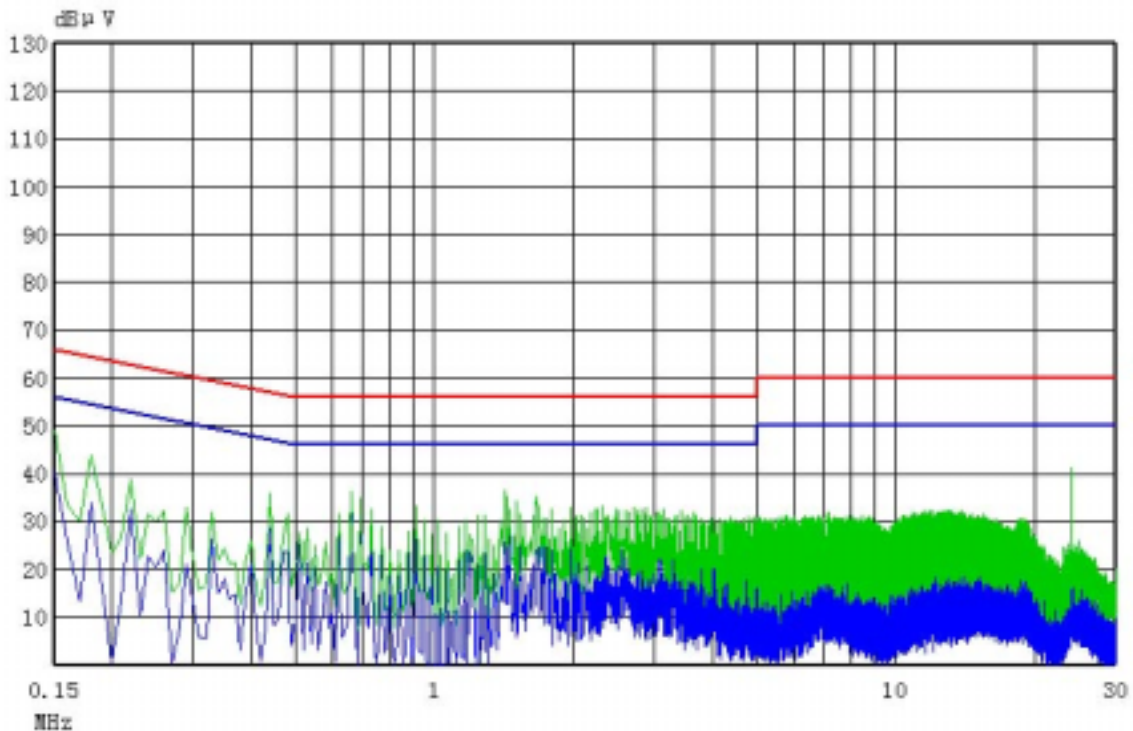
EMI----CE EN55022 测试报告见附页。

EMC300A电磁兼容·传导干扰测试报告

名称:	ADP	编号:	1#-LGND
型号:	ADP42ABC-24V/36W	规格:	24V/1.50A/36W
温度:	28℃	湿度:	%
制造商:	海通电子	检测单位:	
操作员:		引用标准:	EN55022
测试日期:	2005-6-29		

扫频参数

频率			接收机		
开始	停止	步长	带宽	测试项目	测试时间
0.15MHz	30.00MHz	10kHz	9kHz	峰值、平均值	10mS



备注:

input: 220Vac; output: 24.0Vdc/1.50A/36W
 EN60061—output to GND (output short to GND)

DWG TITLE: SWITCHING POWER ADAPTOR 36Watt. 24.0V@1.50A, SINGLE OUTPUT.

DESKTOP UNIVERSAL INPUT,ITE,CLASS FE;

HAITONG ELECTRONIC (QUANZHOU)CO.,LTD	MODEL NO:	HTSW-ADP42ABC	REV:A
泉州市海通电子设备有限公司	PART NO:		SHEET14of 17

开关电源适配器电气规格 Specification of switching power Adaptor (Model: HTSW-ADP42ABC)

PROPRIETARY INFORMATION: PROPRIETARY OF HAITONG ELECTRONIC CO., LTD.ANY REPRODUCTION,DISCLOSURE OR USE OF THIS DRAWING IN WHOLE OR IN PART, IS HEREBY PROHIBITED EXCEPT AS SPECIFIED IN WRITING BY HAITONG ELECTRONIC CO.,LTD.	REVISION			
	REV	DESCRIPTION	DATE	APPROVED
	A	INITIAL RELEASE	05/02/23	
	B	REDRAW TO NEW FORMAT,		

16. Power Adaptor Sample EMI Test Report

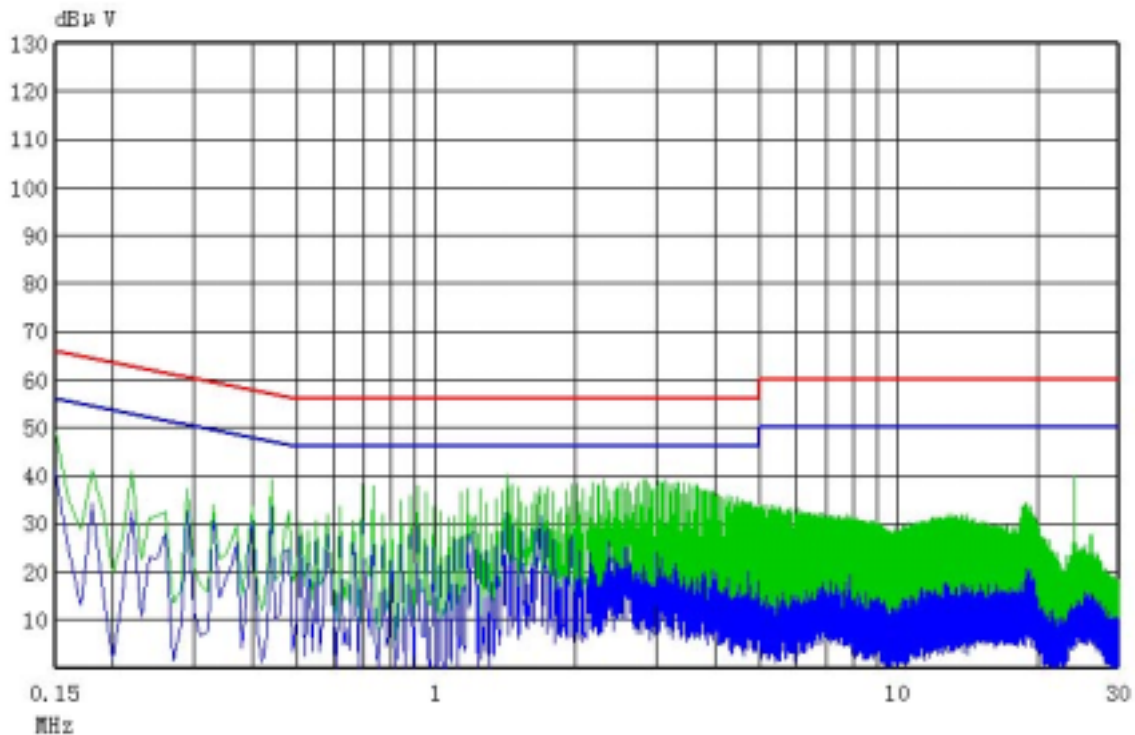
EMI----CE EN55022 测试报告见附页。

EMC300A电磁兼容·传导干扰测试报告

名称: ADP	编号: 1#-NCND
型号: ADP42ABC-24V/36W	规格: 24V/1.50A/36W
温度: 28℃	湿度: %
制造商: 海通电子	
操作员:	检测单位:
测试日期: 2005-6-29	引用标准: EN55022

扫频参数

频率			接收机		
开始	停止	步长	带宽	测试项目	测试时间
0.15MHz	30.00MHz	10kHz	9kHz	峰值、平均值	10mS



备注:

input: 220Vac; output: 24.0Vdc/1.50A/36W
 EN60061---output to GND (output short to GND)

DWG TITLE: SWITCHING POWER ADAPTOR 36Watt. 24.0V@1.50A, SINGLE OUTPUT.

DESKTOP UNIVERSAL INPUT,ITE,CLASS FE;

HAITONG ELECTRONIC (QUANZHOU)CO.,LTD	MODEL NO:	HTSW-ADP42ABC	REV:A
泉州市海通电子设备有限公司	PART NO:		SHEET15of 17

开关电源适配器电气规格 Specification of switching power Adaptor (Model: HTSW-ADP42ABC)

PROPRIETARY INFORMATION: PROPRIETARY OF HAITONG ELECTRONIC CO.,LTD.ANY REPRODUCTION,DISCLOSURE OR USE OF THIS DRAWING IN WHOLE OR IN PART, IS HEREBY PROHIBITED EXCEPT AS SPECIFIED IN WRITING BY HAITONG ELECTRONIC CO.,LTD.	REVISION			
	REV	DESCRIPTION	DATE	APPROVED
	A	INITIAL RELEASE	05/02/23	
	B	REDRAW TO NEW FORMAT,		

17. Power Adaptor Sample EMI Test Report

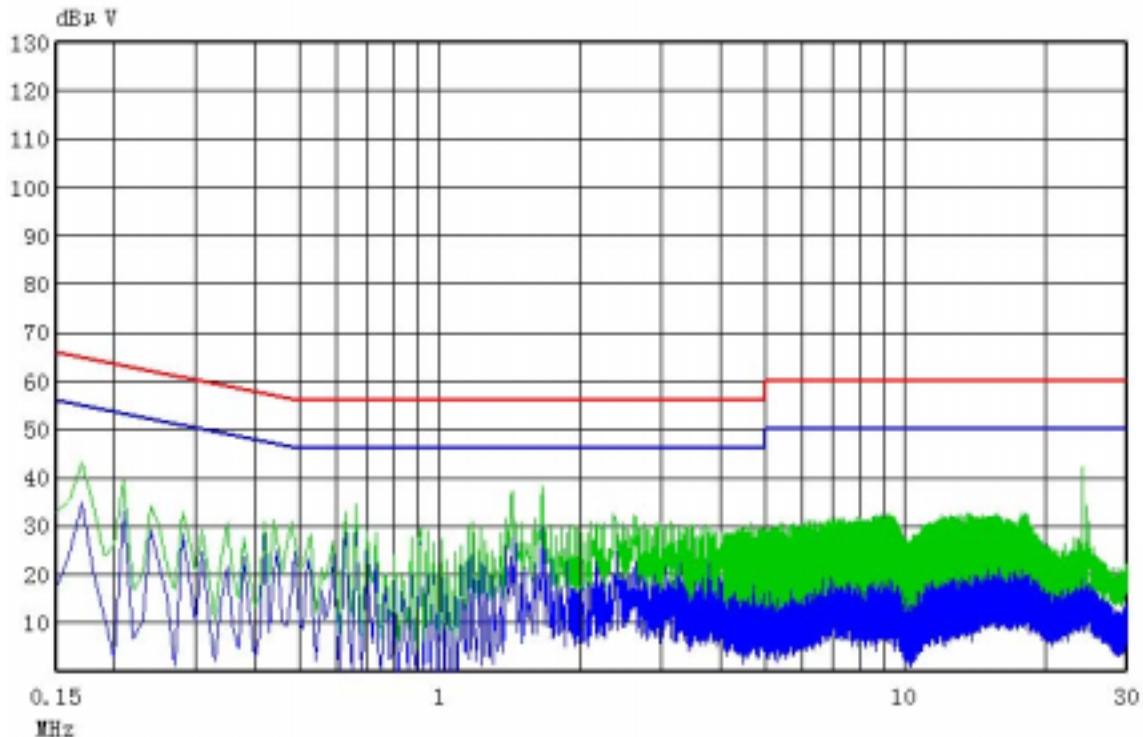
EMI----CE EN55022 测试报告见附页。

EMC300A电磁兼容·传导干扰测试报告

名称:	ADP	编号:	2#-LGND
型号:	ADP42ABC-24V/36W	规格:	24V/1.50A/36W
温度:	28℃	湿度:	%
制造商:	海通电子	检测单位:	
操作员:		引用标准:	EN55022
测试日期:	2005-6-29		

扫频参数

频率			接收机		
开始	停止	步长	带宽	测试项目	测试时间
0.15MHz	30.00MHz	10kHz	9kHz	峰值、平均值	10mS



备注:

input: 220Vac; output: 24.0Vdc/1.50A/36W
 EN60061---output to GND (output short to GND)

DWG TITLE: SWITCHING POWER ADAPTOR 36Watt. 24.0V@1.50A, SINGLE OUTPUT.

DESKTOP UNIVERSAL INPUT,ITE,CLASS FE;

HAITONG ELECTRONIC (QUANZHOU)CO.,LTD	MODEL NO:	HTSW-ADP42ABC	REV:A
泉州市海通电子设备有限公司	PART NO:		SHEET16of 17

开关电源适配器电气规格 Specification of switching power Adaptor (Model: HTSW-ADP42ABC)

PROPRIETARY INFORMATION:
 PROPRIETARY OF HAITONG ELECTRONIC CO., LTD. ANY
 REPRODUCTION, DISCLOSURE OR USE OF THIS
 DRAWING IN WHOLE OR IN PART, IS HEREBY
 PROHIBITED EXCEPT AS SPECIFIED IN WRITING BY
 HAITONG ELECTRONIC CO., LTD.

REVISION			
REV	DESCRIPTION	DATE	APPROVED
A	INITIAL RELEASE	05/02/23	
B	REDRAW TO NEW FORMAT,		

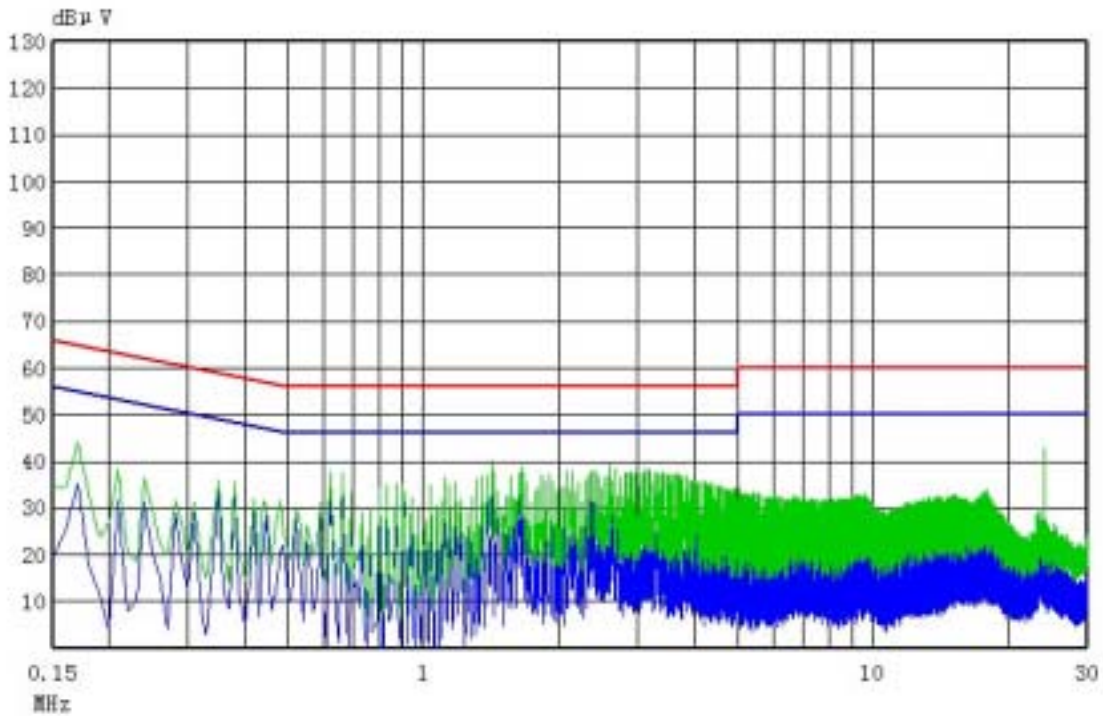
18. Power Adaptor Sample EMI Test Report

EMI----CE EN55022 测试报告见附页。

EMC300A电磁兼容·传导干扰测试报告

名称:	ADP	编号:	2#-MGND
型号:	ADP42ABC-24V/36W	规格:	24V/1.50A/36W
温度:	28℃	湿度:	%
制造商:	海通电子	检测单位:	
操作员:		引用标准:	EN55022
测试日期:	2005-6-29		

扫频参数			接收机		
开始	停止	步长	带宽	测试项目	测试时间
0.15MHz	30.00MHz	10kHz	9kHz	峰值、平均值	10mS



备注:
 Input: 220Vac; output: 24.0Vdc/1.50A/36W
 ENG0061---output to GND (output short to GND)

DWG TITLE: SWITCHING POWER ADAPTOR 36Watt. 24.0V@1.50A, SINGLE OUTPUT.

DESKTOP UNIVERSAL INPUT,ITE,CLASS FE;

HAITONG ELECTRONIC (QUANZHOU)CO.,LTD	MODEL NO:	HTSW-ADP42ABC	REV:A
泉州市海通电子设备有限公司	PART NO:		SHEET17of 17