

1

2

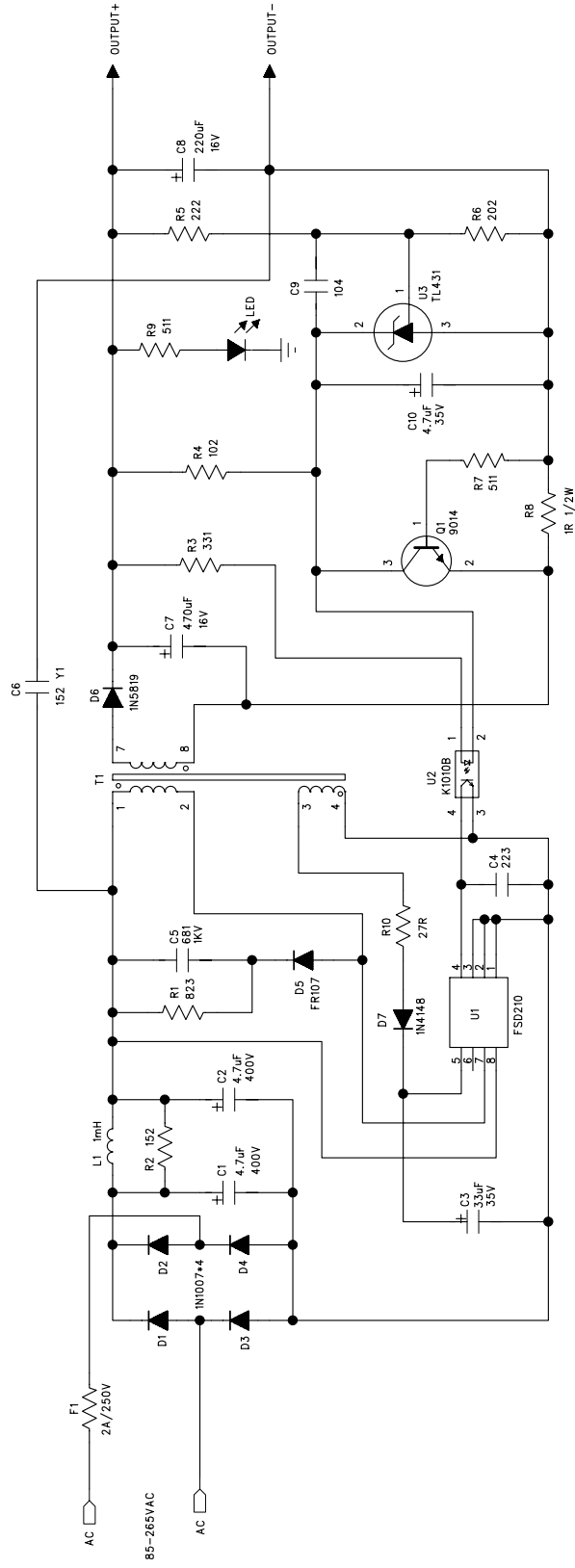
3

4

5

6

REVISION RECORD	
LTR	DATE:
ECO NO:	APPROVED:



D

C

B

A

D

C

B

A

COMPANY:		TITLE:	
FSCD210			
DRAWN:	DATED:	CODE:	SIZE:
CHECKED:	DATED:	DRAWING NO:	REV:
QUALITY CONTROL:	DATED:	Lai Ze Nan	
RELEASED:	DATED: 2005-06-03	SCALE:	SHEET: OF