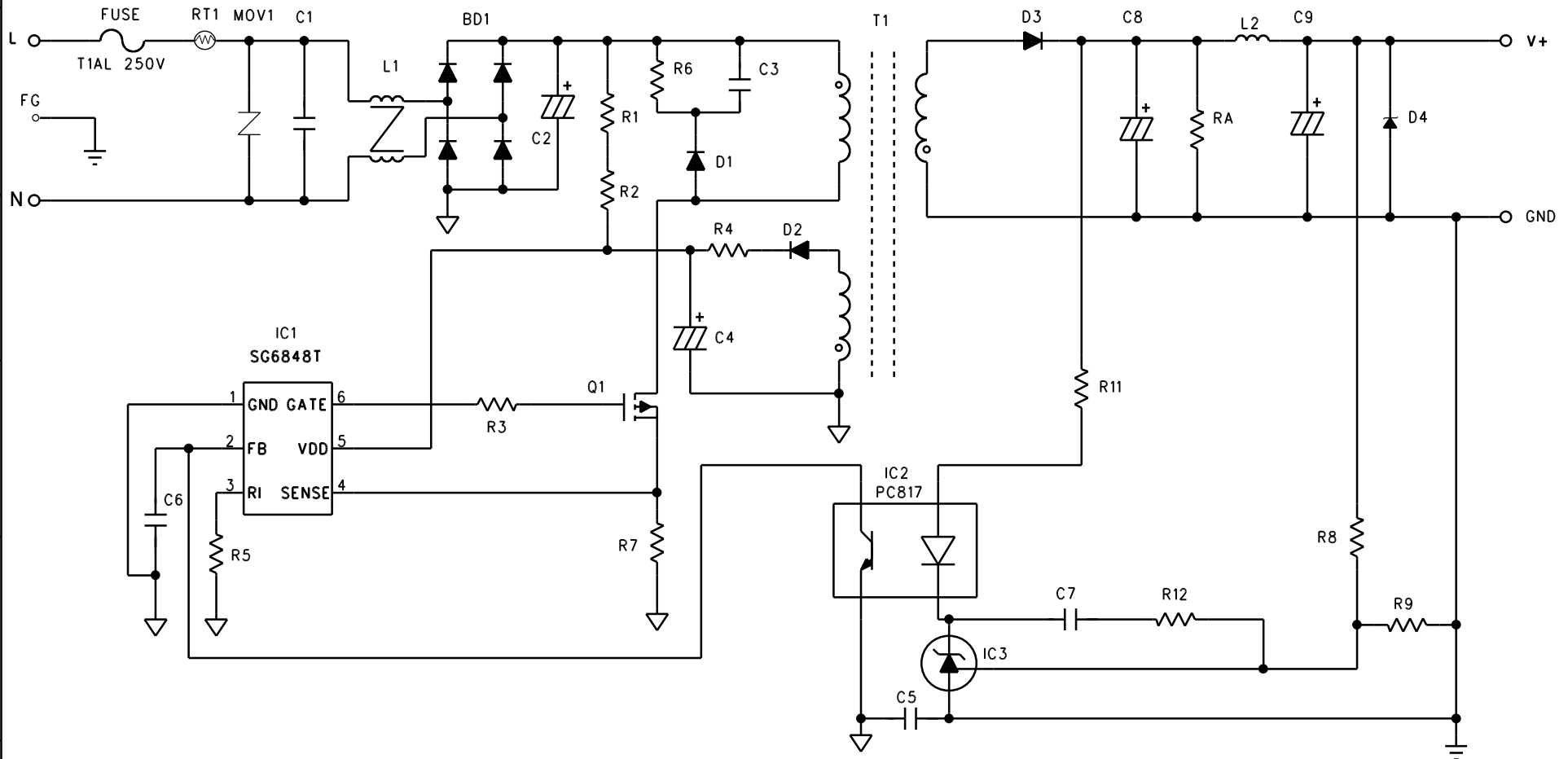


| ZONE | DESCRIPTION | REV |
|------|-------------|-----|
| | | |
| | | |



DEE VAN ENTERPRISE CO., LTD.

| DEPARTMENT | SCALE | UNIT | TOLERANCE | PART NAME | PART NAME | REV |
|------------|-------|--------|-----------|-----------|-----------------|-------------|
| SPS R/D | | | | C.K.T | CIRCUIT DRAWING | |
| APPD. | CKD. | SAFETY | MATERIAL | DWG BY: | DATE | DRAWING NO. |
| | | | | | | |

MODEL NO:

DSO-0081-03

PAGE 1 OF 1