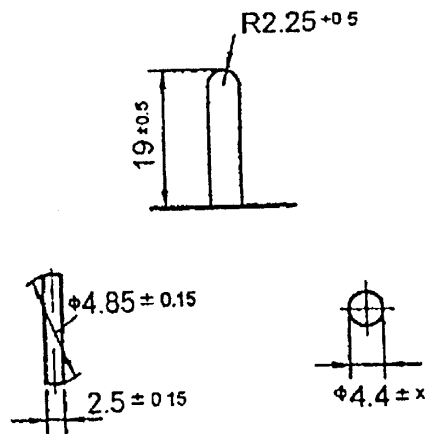


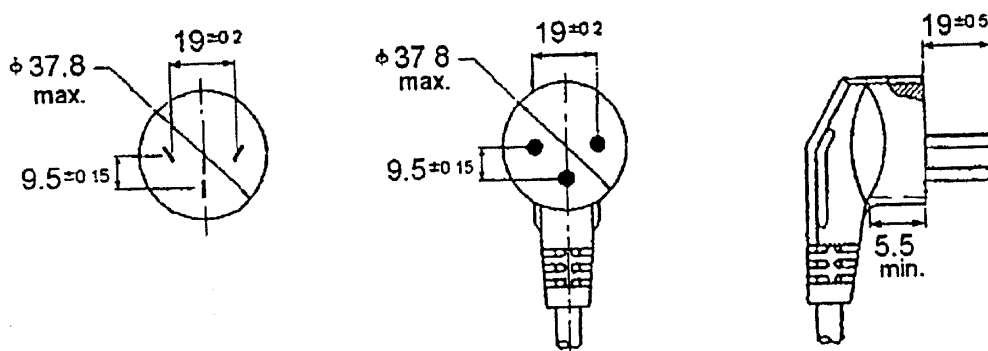
Fig. 208 - Pin marking on plug (view from inside)



Notes:

- For non-rewirable plug: $x = 0.06$
- For rewirable plug: $x = 0.1$
- At the end of the transition period, flat pin plugs will not be approved, excluding for special purpose plugs as shown in Fig. 216

Fig. 209 - Pin dimensions for plug up to 16 A



Note: The plug can be an angle plug or straight plug

Fig. 210 - Pin dimensions for a 16 A current plug



ISRAEL STANDARD

SI 32

Part 1.1

THE STANDARDS INSTITUTION OF ISRAEL

January 2005

This is a true translation of the Hebrew original. In any case of discrepancy between the original Hebrew text and the English translation, the Hebrew version shall prevail

This Standard, excluding the modifications and additions indicated, is identical to the International Standard IEC 60884-1 Third edition: 2002-6.

This Standard supersedes:
Israel Standard SI 32 of November 1988
Amendment 1 of September 1989
Amendment 2 of July 1993
Amendment 4 of November 2000
Amendment 5 of March 2003

Note:

Amendment 3 was not published

**PLUGS AND SOCKET-OUTLETS FOR HOUSEHOLD AND
SIMILAR PURPOSES: PLUGS AND SOCKET-OUTLETS FOR
SINGLE PHASE UP TO 16A – GENERAL REQUIREMENTS**

(Translation)

Descriptors: plugs, socket outlets, electrical household appliances, electrical testing, adapters, dimensions, electric connectors, electrical components

with the requirements of Israel Standard SI 32 Part 1.1 (this Standard) and a suitable switch, if applicable, complying with the requirements of Israel Standard SI 33.

Components or accessories contained in plugs or socket-outlets for which there is no specific Standard, shall comply, as much as is applicable, with the applicable general safety Standard, as follows:

- Electrical equipment shall comply with Israel Standard SI 900;
- Electronic equipment shall comply with Israel Standard SI 250.

This Standard also applies to reinforced plugs and socket-outlets having a reinforced construction.

In locations where special conditions prevail, such as in ships, vehicles and the like and in hazardous locations, for example where explosions are liable to occur, special constructions may be required.

After 6 months from the publication of this revision, plugs with flat pins (see Fig. 209 in the Standard) shall no longer be in compliance with the requirements of the Standard. Flat pins shall be permitted in the future on special purpose plugs only, in compliance with Fig. 216.

Details of the modifications and additions to the Clauses of the International Standard

2. Normative references

- See the Clause, Normative references in the International Standard.
- The following Israel Standards are applicable in place of some of the International Standards specified in the Clause of Normative references in this Standard, as follows: