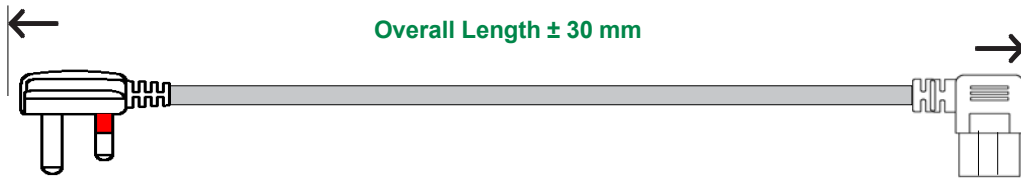


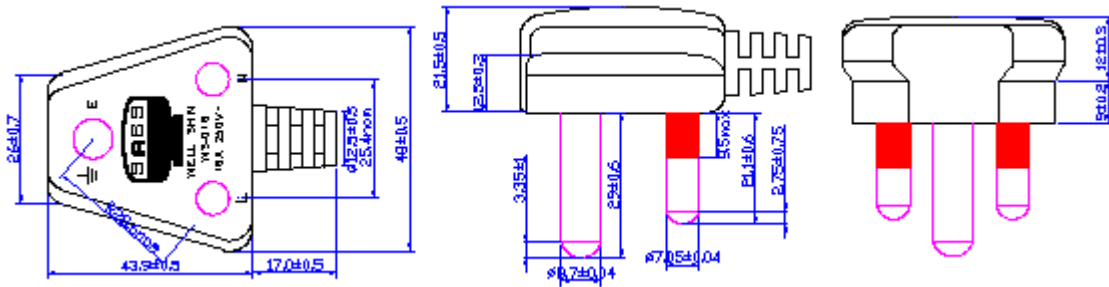
675 S. Lively Blvd.  
Elk Grove Village  
Illinois 60007



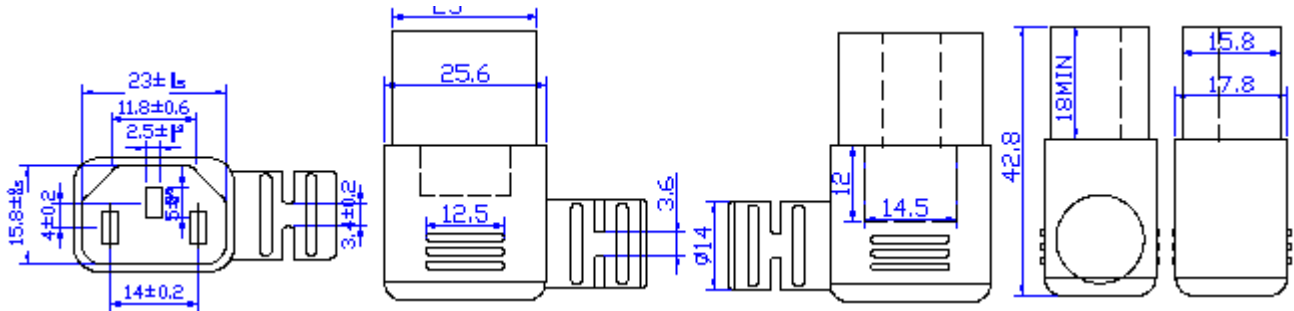
# Specification Control Drawing



Cable Type: Conductor Size: mm<sup>2</sup> Overall Length: mm Color:



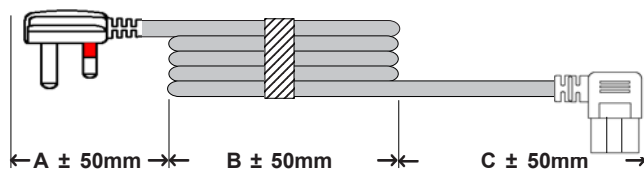
Plug Type: South African 3 Conductor Plug Part Number: WS 016



Connector Type: Connector IEC 320 - C13 90°Left Part Number: WS - 002AL

**Specifications:**  
**Plug:**  
 Pin Size: 4 mm x 8 mm  
 Pin Material: Nickel Plated Brass  
 Plug Body: PVC  
 Manufacturer's: SABS  
 Specification: 1661  
 Amperage: 16 Max  
 Voltage: 250 Volt  
**Connector:**  
 Pin Hole Size: 4 x 2mm  
 Material: PVC  
 Manufacturer's: EN60320  
 Specification: IEC 320 - C13  
 Amperage: 10 Amp.  
 Voltage: 250 Volt

**Hanking Dimensions:**



A: mm B: mm C: mm

Note:	Rev.	Change:	Date:

All Dimensions are in mm

**Agency Approvals**



Customer

Part No.

Drawn By:

Date:

Detachable Power Supply Cord  
South African 3 Conductor Plug  
Connector IEC 320 - C13 90° Left

Page 1 of 1

Drawing No.  
000000000000

Rev.:  
0