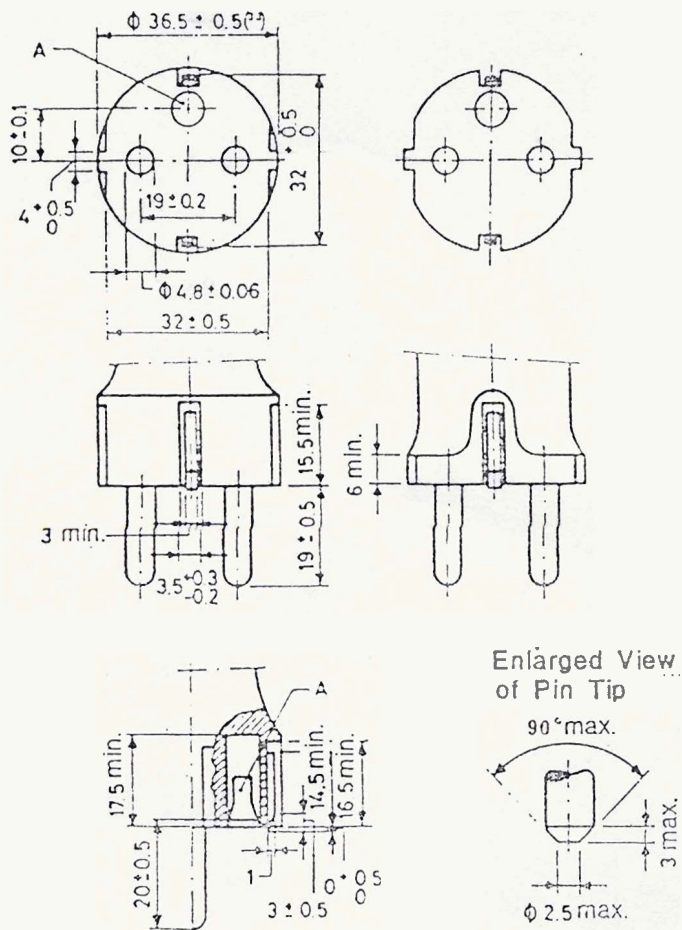


Attached Fig. 5 (Continued)

## (6) 15A 250V 2-Pole Plug (Double Earth Pole Part)

Unit : mm



A : Flexible connection tube of 4.3~5.1mm (The shape may not necessarily be tube type)

Note (33) This dimensions shall not be exceeded within the range of 18mm from the connected side of plug.