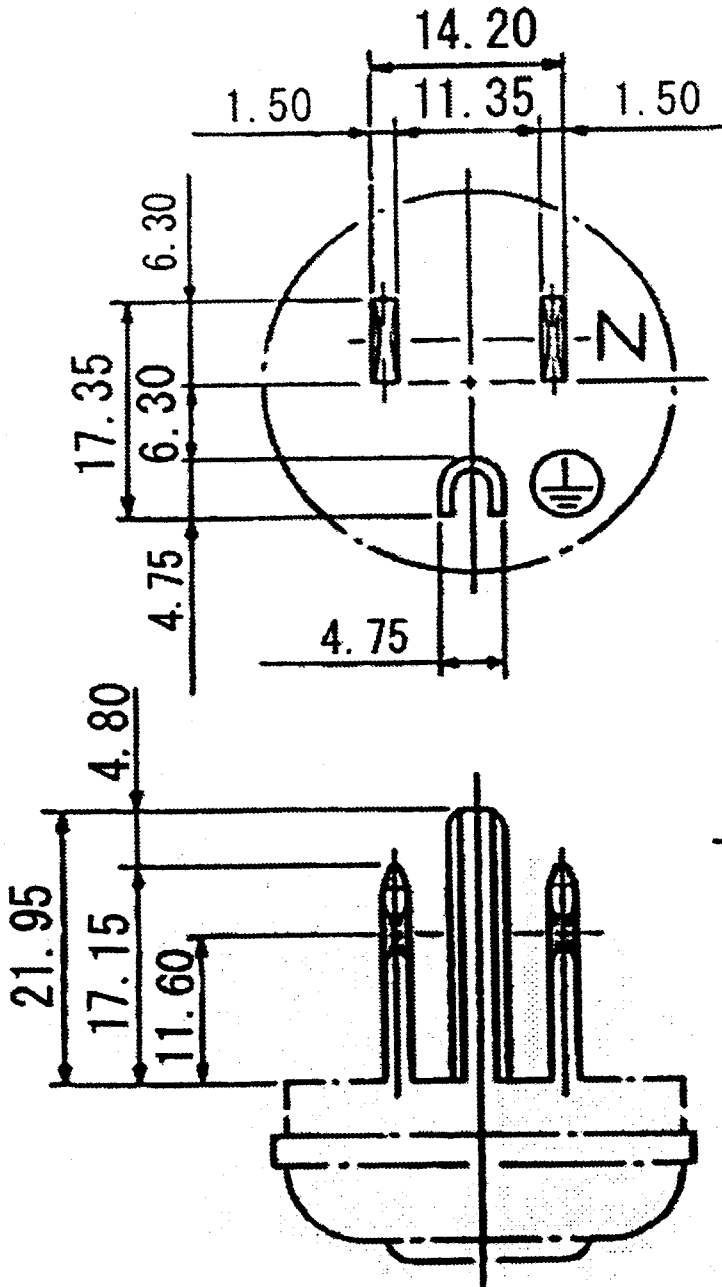


Attached Tables

6.1.4 (5) a The dimensions are as shown below.

(Units: mm)



N 接白色絨
⊕ 接綠色絨

Enlarged plan of blade tip

