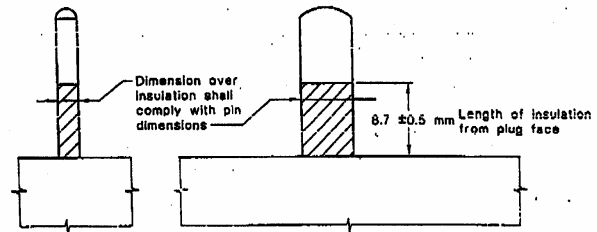
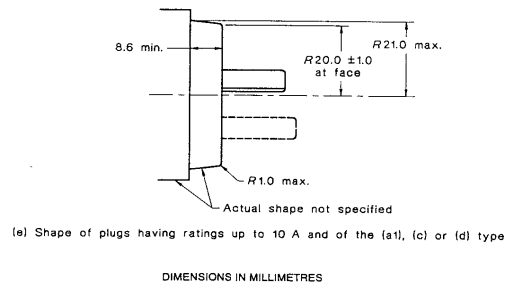
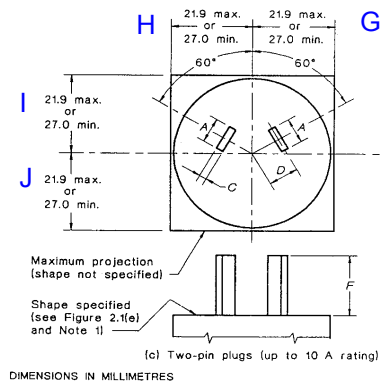


# Appendix 1

Error! Reference source not found.

page 1 of 1

(澳规)Australia integrated plug according to AS/NZS 3112:2000 for AU type



2.8		TABLE: Australia plug dimension according to AS 3112 figure 2.1 C & E		P
Part No.	Dimensions	Limit	Measured	Pass/Fail
	Distance from projection part edge to L and N pins	9mm min.		
A	Width of live pin	6.35 ± 0.15mm		
C	Thick of live pin metal part	1.58 to 1.78mm		
	Thick of live pin insulated part	1.58 to 1.78mm		
D	Pin center to plug center	7.92mm		
F	Length of live pin	17.06 ± 0.4mm		
F	Length of live pin insulated part	8.7 ± 0.5mm		
G	Length of plug base	>27.0mm or <21.9mm		
H	Length of plug base	>27.0mm or <21.9mm		
I	Length of plug base	>27.0mm or <21.9mm		

# Appendix 1



**Error! Reference source not found.**

page 2 of 2

(澳规)Australia integrated plug according to AS/NZS 3112:2000 for AU type

J	Length of plug base	>27.0mm or <21.9mm		
	Radial of plug projection part	R 21mm max.		
	Height of plug projection part	8.6mm min.		
Note: * <sup>1)</sup> the detachable integrated plug is installed in the AC/DC adapter during the measurement.				

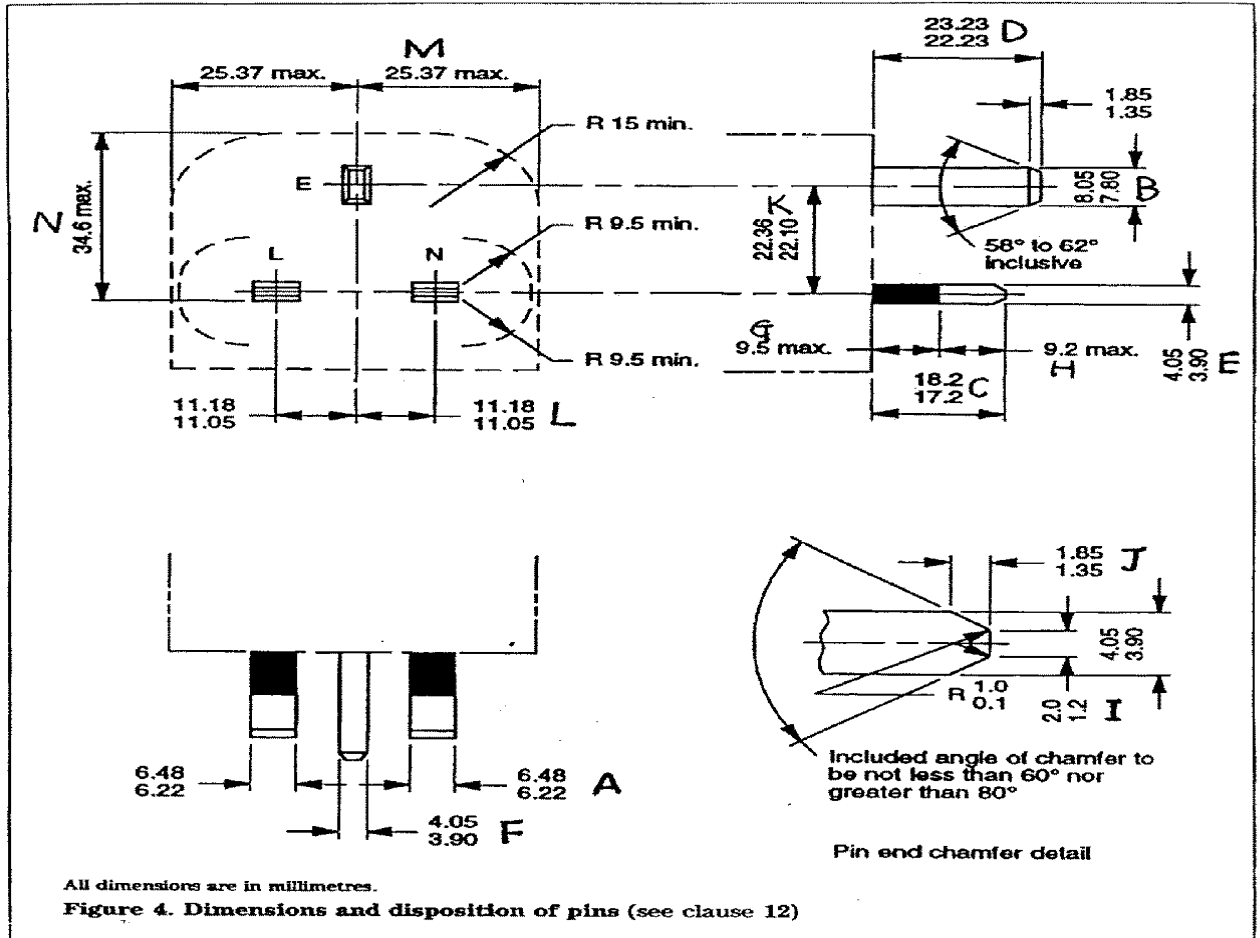
# Appendix 2



Error! Reference source not found.

page 1 of 1

(英规)British integrated plug according to BS 1363 for UK type



12.	TABLE: BSI plug dimension according to BS 1363 figure 4			P
Part No.	Dimensions	Limit	Measured	Pass/Fail
	Distance from projection part edge to L and N pins	R9.5mm min.		
A	Width of live pin	6.22 to 6.48mm		
B	Width of ground pin	7.8 to 8.05mm		
C	Length of live pin	17.2 to 18.2mm		
D	Length of ground pin	22.23 to 23.23mm		
E	Thickness of live pin	3.9 to 4.05mm		

## Appendix 2



**Error! Reference source not found.**

page 2 of 2

(英规)British integrated plug according to BS 1363 for UK type

F	Thickness of ground pin	3.9 to 4.05mm		
G	Length of live pin except metal part	9.5mm max.		
H	Length of live pin except insulated part	9.2mm max		
I	Width of pin end chamfer	1.2 to 2.0mm		
J	Length of pin end chamfer	1.35 to 1.85mm		
K	Length between live pin to ground pin	22.1 to 22.36mm		
L	Length between live pin to ground pin	11.05 to 11.18mm		
M	Length of plug base	25.37mm max.		
N	Length of plug base edge to live pin	34.6mm max.		
O	Height of plug base	6.35mm min.		

# Appendix 3



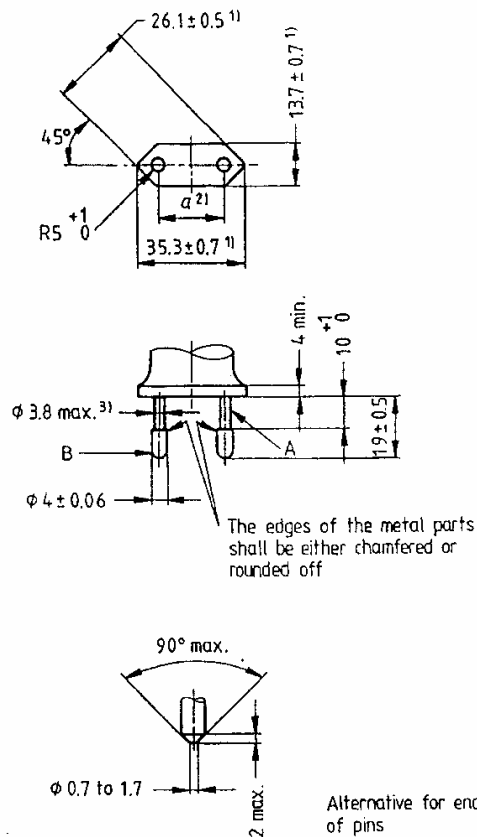
Error! Reference source not found.

page 1 of 1

(欧规)European integrated plug according to EN 50075 for EU type

## Standard Sheet 1

2,5 A 250 V two-pole plug for Class II appliances



7	Dimensions		
	Plugs shall comply with Standard Sheet 1		
	Between two pins (pin base)	18.0-19.2mm	
	Between two pins (pin top)	17.0-18.0mm	
	Diameter of pin (metallic part)	$4^{\pm 0.06}$ mm	
	Diameter of pin (pin base)	max. 4.0mm	
	Diameter of pin (middle part)	max. 3.8mm	
	Pin length	$19^{\pm 0.5}$ mm	
	Length of pin except metal part	$10^{+1.0}$ mm	

## Appendix 3



**Error! Reference source not found.**

page 2 of 2

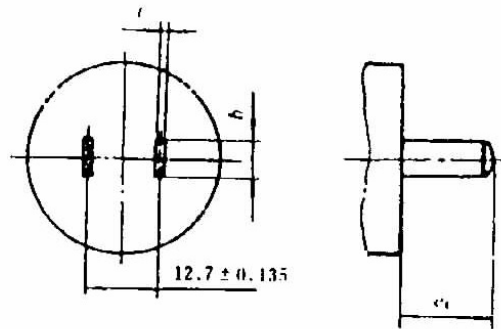
(欧规)European integrated plug according to EN 50075 for EU type

	Shape of pin top	Chamfered or round	Round shape	<b>P</b>
	Length of plug base	$35.3^{\pm 0.7}$ mm		
	Width of plug base	$13.7^{\pm 0.7}$ mm		
	Diagonal dimension of plug base	$26.1^{\pm 0.5}$ mm		
	Height of plug projection part	$18^{-0.0}$ mm		

# Appendix 4

(中国规)China integrated plug according to GB-1002 for CN type

Dimensions in mm



$$t = 1.5_{-0.10}^0 \quad b = 6.4_{-0.22}^0 \quad e_1 = 16 \pm 0.35$$

Fig.1 Dimensions of 6A,10A 2-pole plug without earthing contact  
(GB1002-1996 Fig.1)

3		TABLE: China plug dimension according to GB1002 figure 1		P
Part No.	Dimensions	Limit	Measured	Pass/Fail
	Distance from projection part edge to L and N pins	6.5mm min.		
b	Width of live pin	6.4 <sub>-0.22</sub> mm		
t	Thickness of live pin	1.5 <sub>-0.15</sub> mm		
e1	Length of live pin	16 ± 0.35mm		
	Pin center to pin center	12.7± 0.135mm		
Note:				
* <sup>1)</sup> the detachable integrated plug is installed in the AC/DC adapter during the measurement.				

# Appendix 5

## Argentina integrated plug according to IRAM 2063 for AR type

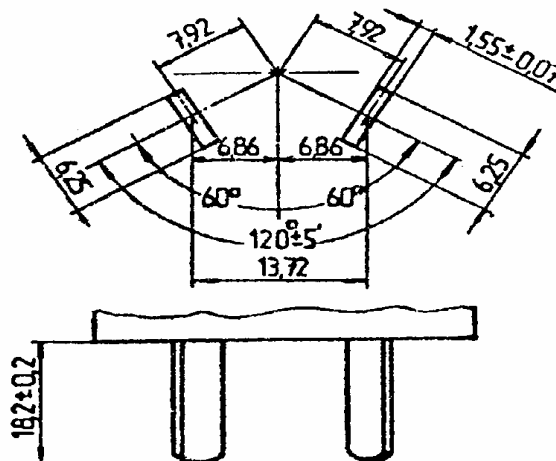
Pin dimension and marking requirements:

**Dimensions and geometry for two poles electric plugs without earth contact for alternative current, nominal voltage of 250 V and nominal current of 10 A**



A = 8 mm (minimum)

General Tolerance  $\pm 0,1$  mm (except if a different value is specified)



**Note 1:** The position of the plug neutral pin (N), was made considering their pins are pointing to the observer.

**Nota 2:** Dimensions are indicated in milimeters.

Fig. 1a

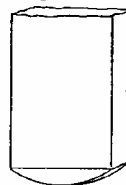
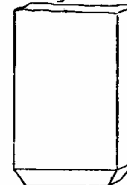


Fig. 1b



The endings of the contact pins must be rounded in an acceptable way. The attached figure shows two examples of acceptable ways.

Location	Requirement		Measured		Verdict
Marking of neutral with N	N				
Distance from edge to L and N pins	min. 8	mm		mm	
Distance between pin center	13.72±0.1	mm		mm	



# Appendix 5



page 2 of 2

## Argentina integrated plug according to IRAM 2063 for AR type

Pin length	18.2±0.2	mm		mm	
Pin width	6.25±0.1	mm		mm	
Pin thickness	1.55±0.07	mm		mm	
Pin center to plug center	7.92±0.1	mm		mm	
One half distance of pin center to pin center	6.86±0.1	mm		mm	
Pin angle	120°±5'				
Ending of the contact pins be rounded	Fig. 1a or 1b				

# Appendix 6

Korea integrated plug according to KSC 8305 for KR type

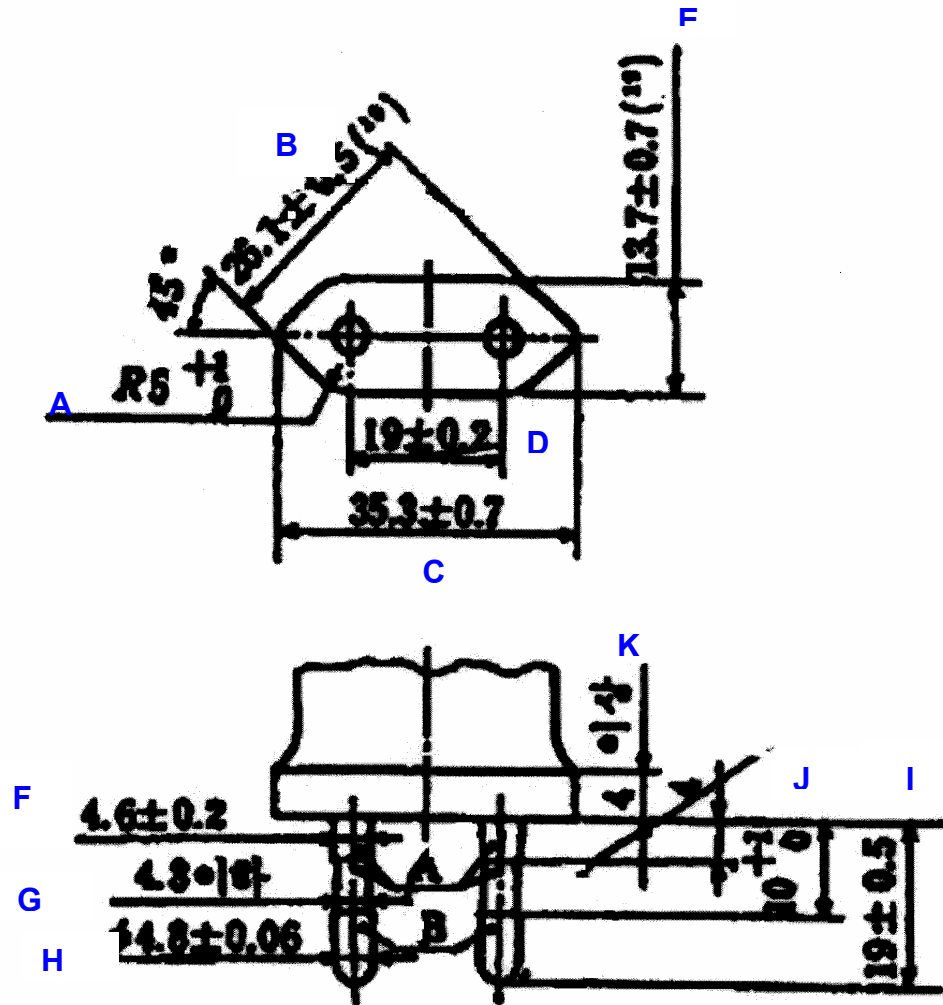


TABLE: Korea plug dimension according to KSC8305				
A	Radius	$R5^{+1}_0$ mm		
D	Between two pins	$19 \pm 0.2$ mm		
H	Diameter of pin (metallic part)	$4.8 \pm 0.06$ mm		
F	Diameter of pin (pin base)	$4.6 \pm 0.2$ mm		
G	Diameter of pin (middle part)	4.3mm		
I	Pin length	$19 \pm 0.5$ mm		
J	Length of pin except metal part	$10 \pm 1.0$ mm		
	Shape of pin top	Chamfered or round	Round shape	P

# Appendix 6



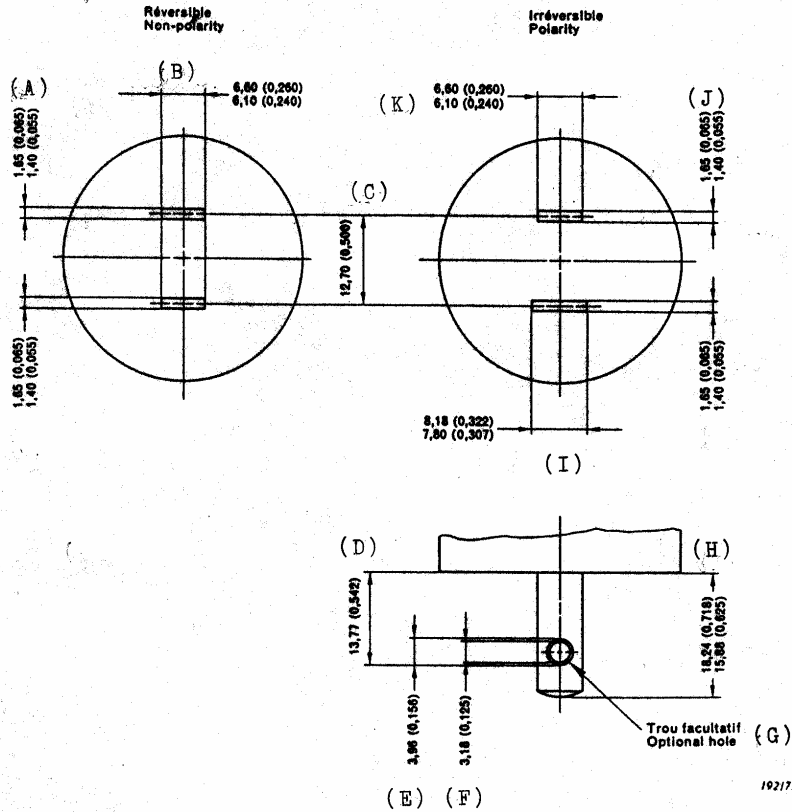
page 2 of 2

Korea integrated plug according to KSC 8305 for KR type

C	Length of plug base	$35.3^{\pm 0.7}$ mm		
E	Width of plug base	$13.7^{\pm 0.7}$ mm		
B	Diagonal dimension of plug base	$26.1^{\pm 0.5}$ mm		
K	Height of plug projection part	4mm min.		

# Appendix 7

(美規)North American integrated plug according to NEMA 1-15 P for US type



1.5.2 TABLE: US plug dimension according to NEMA 1-15P (non polarity)				P
Part No.	Dimensions	Limit (mm)	Measured (mm)	Pass/Fail
A	Thickness of live pin	1.40-1.65		
B	Width of live pin	6.10-6.60		
C	Distance between two live pins (centre)	12.70±0.127		
D	Distance between hole and plug face (if hole used)	13.77±0.127		
E	Outer diameter of hole (if hole used)	3.96±0.127		
F	Inner diameter of hole (if hole used)	3.18±0.127		
H	Length of live pins	15.88-18.24		