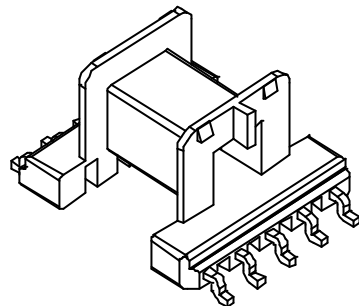


PART C-104



REV.	REVISIONS	REC.	DATE	REV.	REVISIONS	REC.	DATE

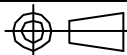
DRAWN & DRAFTED BY	ZHI QIANG	TOLERANCES		ANGLE:	TITLE:		
	CHECKED & APPROVED BY	JOHN RONG	0<L≤4 ±0.1 4<L≤16 ±0.2 16<L≤63 ±0.3	COPLANARITY 0.1 MAX	±1°	SMD BOBBIN EE-12.6	
ORIGIN:	DG	UNIT:	MM	BOBBIN MATERIAL:	PHENOLIC PM9630	UL REC.	UL 94V-0
DATE:	APR.15 '2004	PIN MATERIAL:	PHOSPHOR BRONZE	PIN TENSION LOAD:	1.0KG MIN.	DRAWING NO.	S-1202-1
REV.	0	TEL:886-2-22990545	FAX:886-2-22990546				



PIN SHINE INDUSTRIAL CO., LTD.

TEL:886-2-22990545

FAX:886-2-22990546



DATE: APR.15 '2004

DRAWING NO.

S-1202-1

REV. 0