



**ON Semiconductor™**

# **Solutions For Adaptor and ATX power**



Solutions by application  
Ivan Tang / M.T. Chen  
Feb 1, 2005

**ON Semiconductor®**

# Adaptor



Solutions by application  
Ivan Tang / M.T. Chen  
Feb 1, 2005

**ON Semiconductor®**

# NCP12XX family for Adaptor

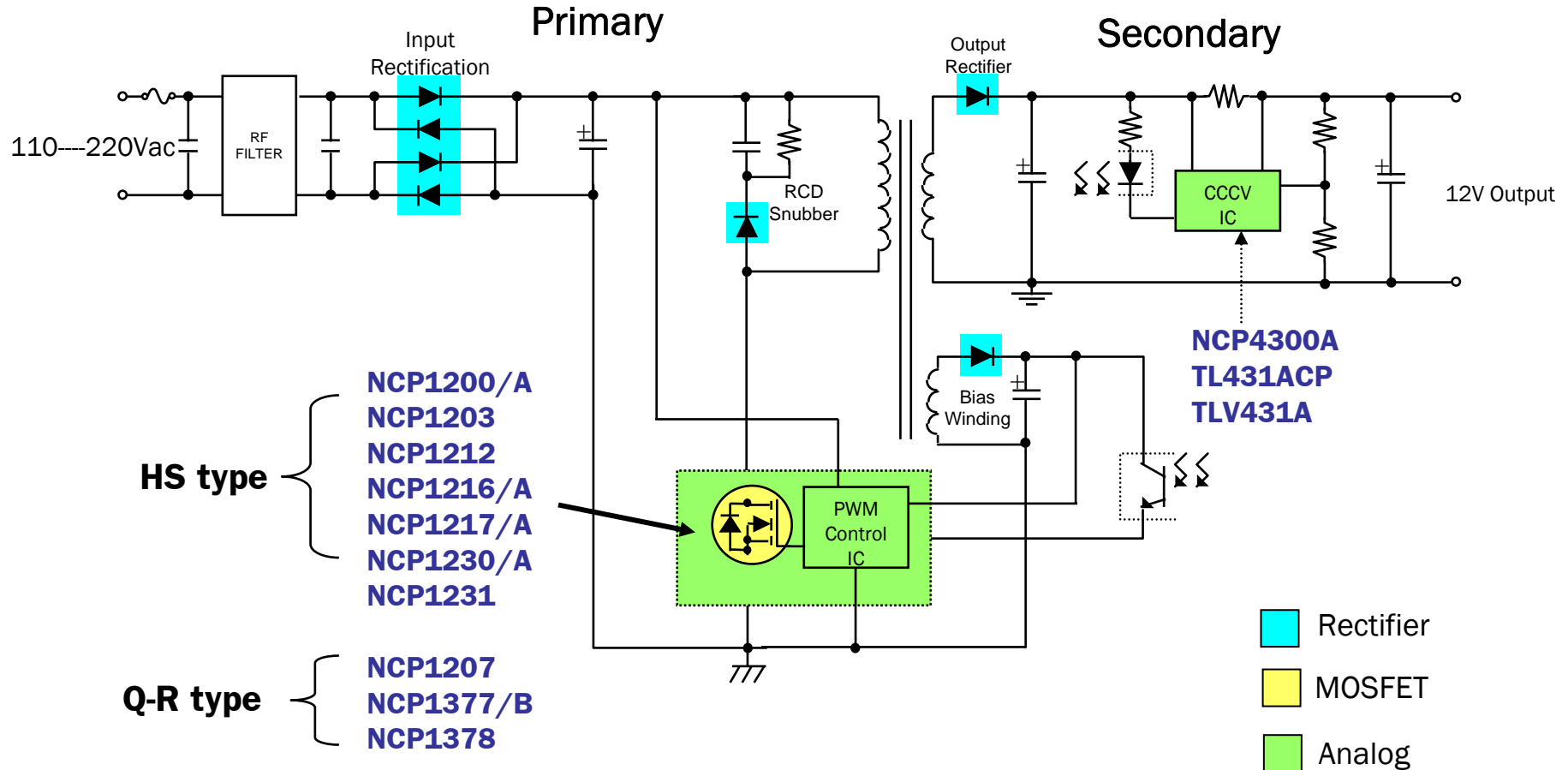
<b>Power Controller</b>	<b>Power rating</b>	<b>Power Frame</b>
NCP1215	<5W	Fly-back (charger)
NCP1200 NCP101X	<15W	Fly-back
NCP1200A NCP1203 NCP1201	15---60W	Fly-back
NCP1207 NCP1377 NCP1377B	40---150W	Fly-back(QR)
NCP1216 NCP1217	60---150W	Fly-back
NCP1216A NCP1217A	60---150W	Fly-back & Forward
NCP1230/A	60---150W	With PFC Vcc control



Solutions by application  
Ivan Tang / M.T. Chen  
Feb 1, 2005

**ON Semiconductor**<sup>®</sup>

# Solution for Adaptor Application

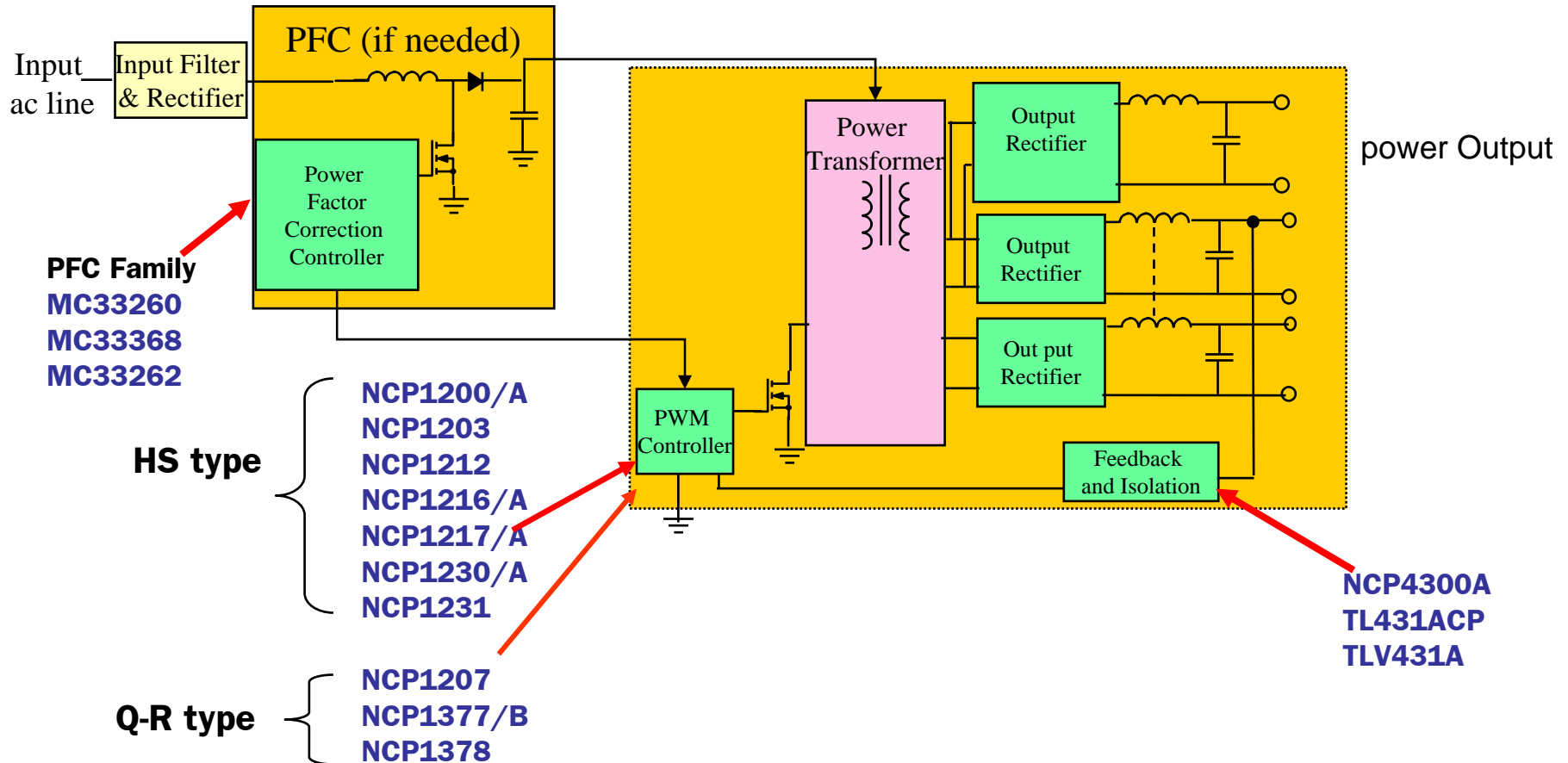


Solutions by application  
Ivan Tang / M.T. Chen  
Feb 1, 2005

ON Semiconductor®

# Solutions for Adaptor

--- Input power >75W ---



Solutions by application  
 Ivan Tang / M.T. Chen  
 Feb 1, 2005

**ON Semiconductor**<sup>®</sup>

# Solutions for Adaptor

<u>Socket</u>	<u>Description</u>	<b>Pi=30---75W</b>		<b>Pi=75---100W</b>		<b>Pi=100-200W</b>	
		<b>ON'S P/N</b>	<b>QTY</b>	<b>ON'S P/N</b>	<b>QTY</b>	<b>ON'S P/N</b>	<b>QTY</b>
I/P Rect	4 in 1 bridge	N.A.		N.A.		N.A.	
PFC controller	for Pi>75W	N.A.		MC33260	1	NCP1651	1
PFC O/P MosFET	N Ch, 12A/500V	N.A.		N.A.		N.A.	
PFC boost rect.	15A/600V	N.A.		MUR460	1	MUR1560	1
PWM controller	QR controller	NCP1200A	1	NCP1203	1	NCP1207	1
Snaber Rect	1A/1000V	1N4007	1	1N4007	1	1N4007	1
O/P SW MosFET	N Ch, 20A/650V	N.A.		N.A.		N.A.	
Sync Rect (MosFET)	85A/100V	N.A.		N.A.		N.A.	
CCCV	LM358+TL431	NCP4300	1	NCP4300	1	NCP4300	1
G.P. Rect	1A/400V	1N4936	2	1N4936	2	1N4936	2
G.P. diode	1N4148	N.A.		N.A.		N.A.	
G.P. TR	MMBT3904/06	MMBT3904 MMBT3906	2	MMBT3904 MMBT3906	3	MMBT3904 MMBT3906	4
G.P. zener	1/2W	N.A.		N.A.		N.A.	
Photocoupler	SFH6156	N.A.		N.A.		N.A.	



Solutions by application  
Ivan Tang / M.T. Chen  
Feb 1, 2005

**ON Semiconductor®**

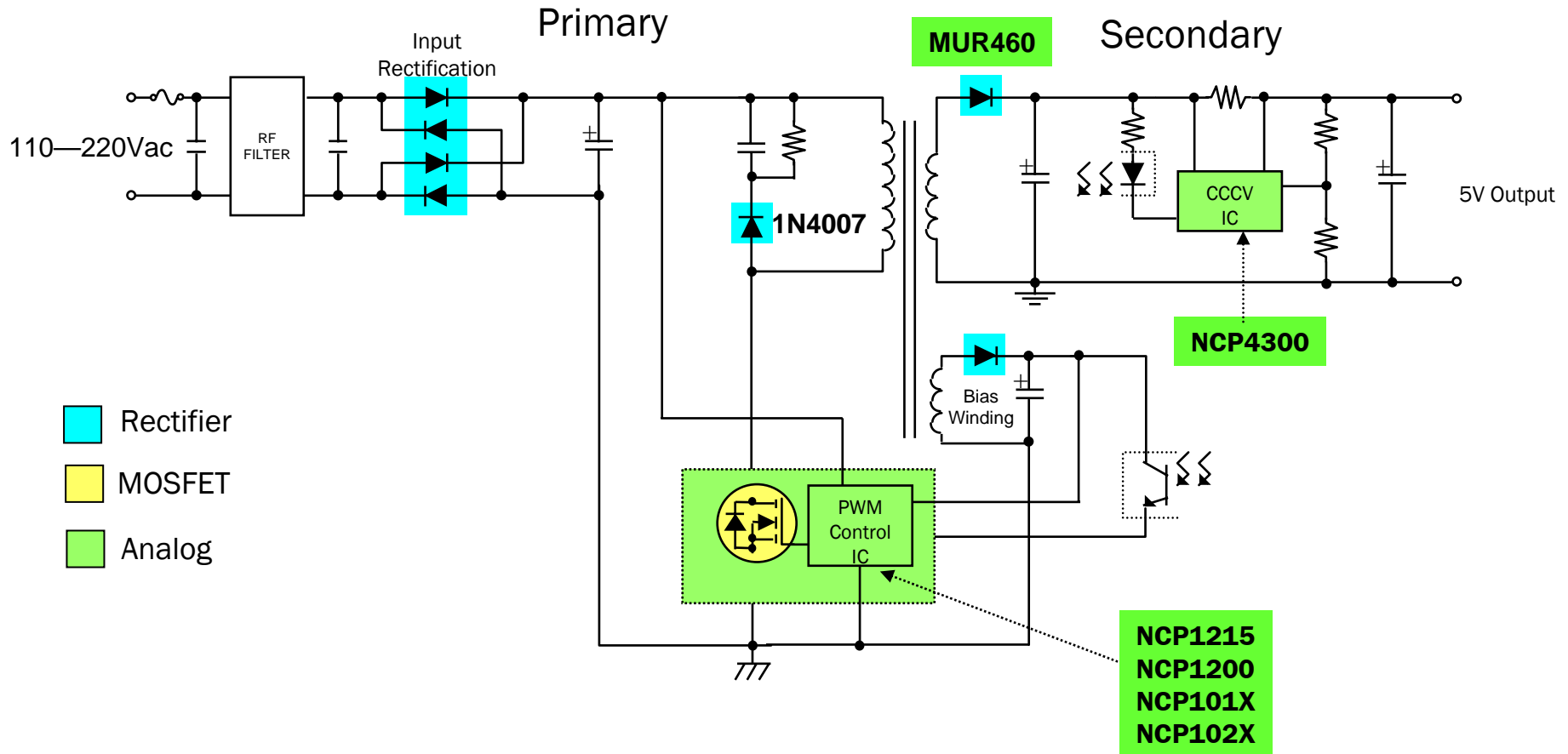
# Battery Charger



Solutions by application  
Ivan Tang / M.T. Chen  
Feb 1, 2005

**ON Semiconductor®**

# Solutions for Battery Charger



Solutions by application  
Ivan Tang / M.T. Chen  
Feb 1, 2005

ON Semiconductor®



# Solutions for Battery Charger

Function	Mkt solution	ON'S P/N	QTY
I/P Rect	4 in 1 bridge	N.A.	
PWM controller	PWM	NCP1215	1
Snaber Rect	1A/1000V	1N4007	1
O/P SW MosFET	N Ch, 1A/650V	N.A.	
Sync Rect (MosFET)	85A/100V	N.A.	
CCCV	LM358+TL431	NCP4300	1
General purpose Rect	1A/400V	1N4936	2
General purpose diode	1N4148	N.A.	
General purpose TR	MMBT3904 MMBT3906	MMBT3904 MMBT3906	2
General purpose zener	1/2W	N.A.	



Solutions by application  
Ivan Tang / M.T. Chen  
Feb 1, 2005

**ON Semiconductor**<sup>®</sup>

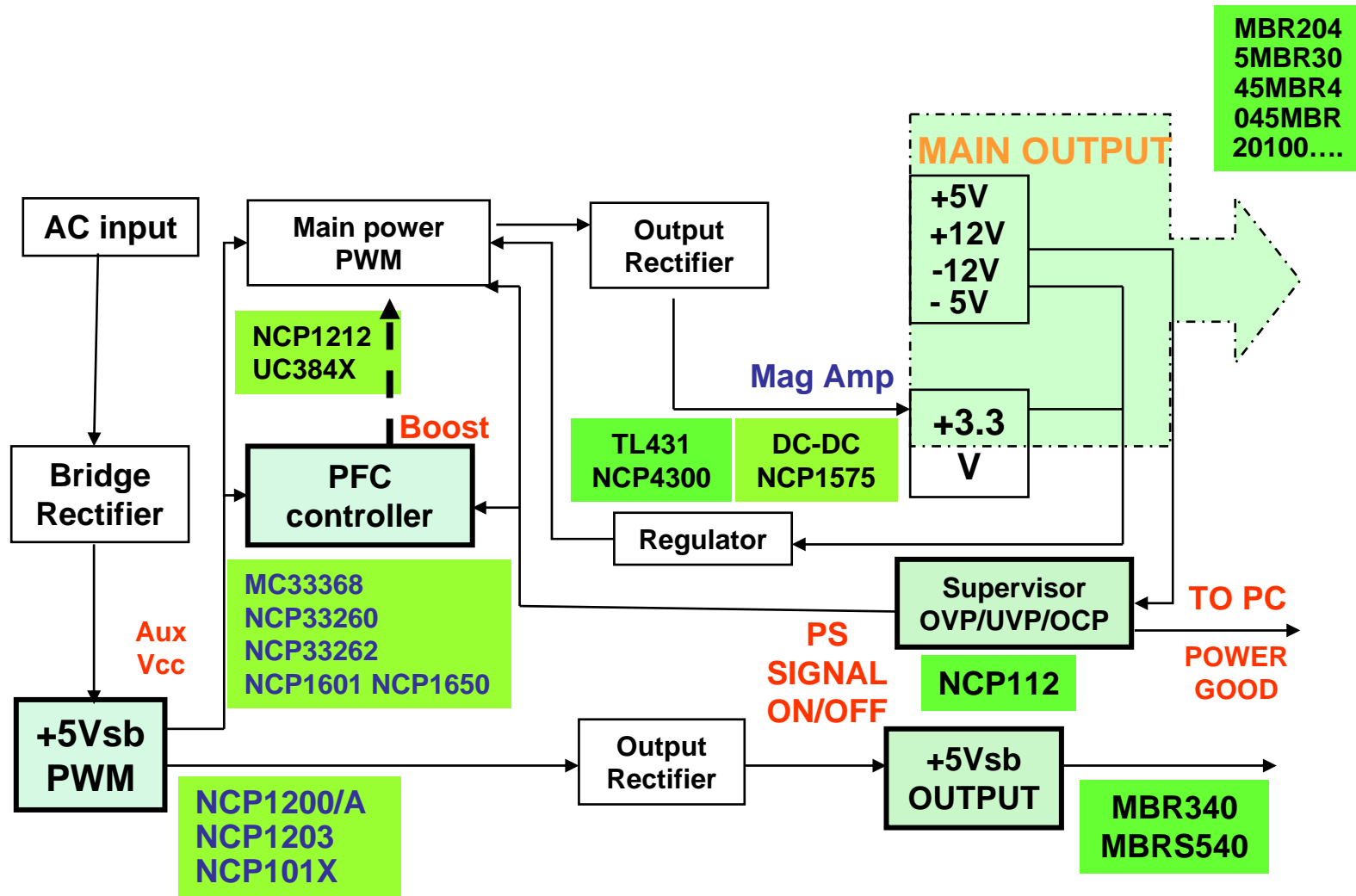
# ATX Power



Solutions by application  
Ivan Tang / M.T. Chen  
Feb 1, 2005

**ON Semiconductor®**

# Solutions for ATX SPS



Solutions by application  
Ivan Tang / M.T. Chen  
Feb 1, 2005

ON Semiconductor®

# Solutions for ATX POWER

<u>Socket</u>	<u>Description</u>	Pi=150---250W		Pi=250---350W		Pi= >350W	
		ON'S P/N	QTY	ON'S P/N	QTY	ON'S P/N	QTY
I/P Rect	4 in 1 bridge	N.A.		N.A.		N.A.	
PFC controller	for Pi>75W	N.A.		MC33260	1	NCP1651	1
PFC O/P MosFET	N Ch, 12A/500V	N.A.		N.A.		N.A.	
PFC boost rectifier	15A/600V	N.A.		MUR460	1	MUR1560	1
PWM controller	Q-R controller	NCP1200A	1	NCP1203	1	NCP1207	1
Snaber Rect	1A/1000V	1N4007	1	1N4007	1	1N4007	1
O/P SW MosFET	N Ch, 20A/650V	N.A.		N.A.		N.A.	
Sync Rect (MosFET)	85A/100V	N.A.		N.A.		N.A.	
CCCV	LM358+TL431	NCP4300	1	NCP4300	1	NCP4300	1
G.P. Rect	1A/400V	1N4936	2	1N4936	2	1N4936	2
G.P. diode	1N4148	N.A.		N.A.		N.A.	
G.P. TR	MMBT3904 MMBT3906	MMBT3904 MMBT3906	2	MMBT3904 MMBT3906	3	MMBT3904 MMBT3906	4
G.P. Zener	1/2W	N.A.		N.A.		N.A.	
Photocoupler	SFH6156	N.A.		N.A.		N.A.	



Solutions by application  
Ivan Tang / M.T. Chen  
Feb 1, 2005

**ON Semiconductor®**