



**ON Semiconductor™**

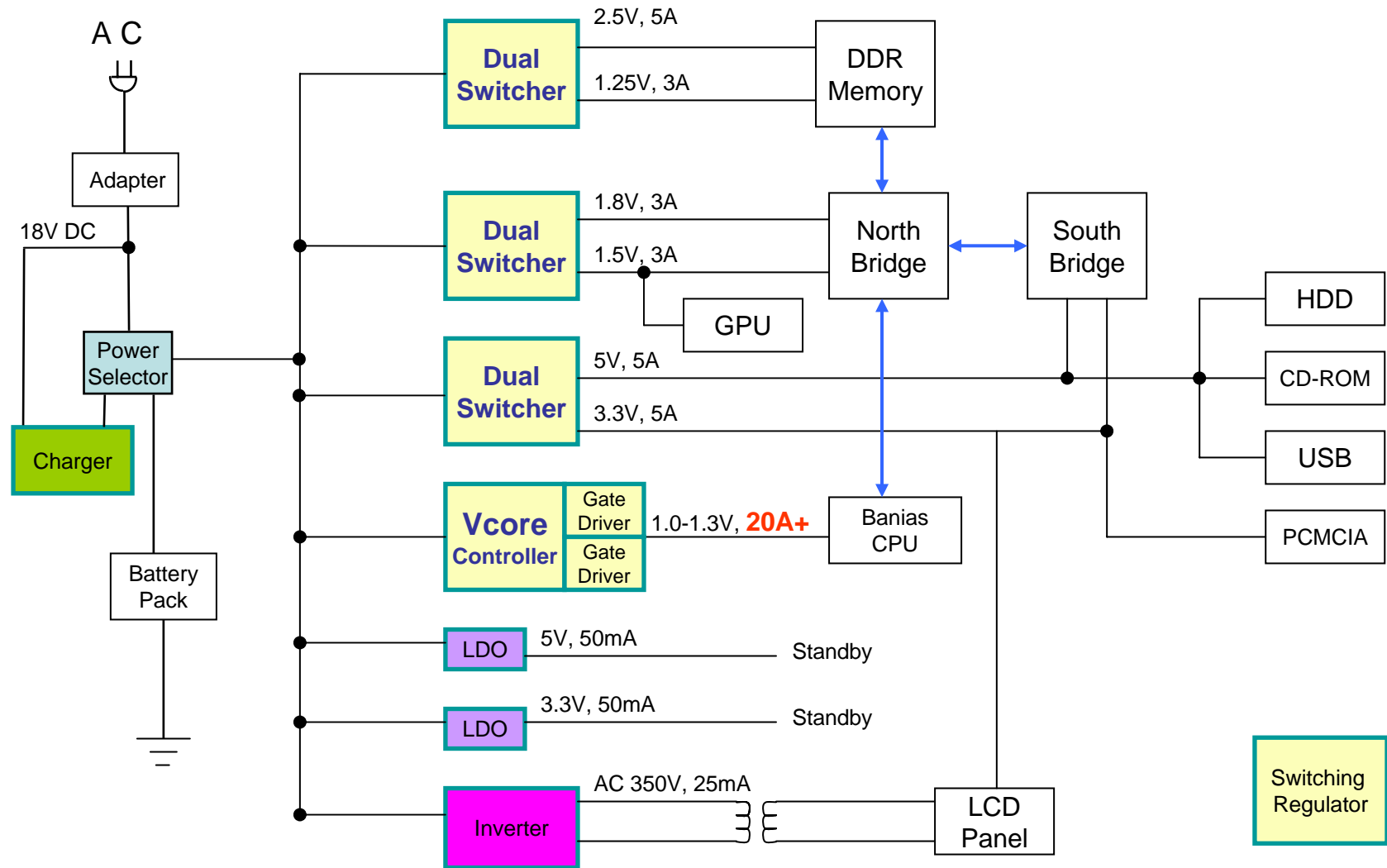
# **Solutions For Notebook PC**



Solutions by application  
Ivan Tang / M.T. Chen  
Feb 1, 2005

**ON Semiconductor®**

# Notebook Architecture and its power supply

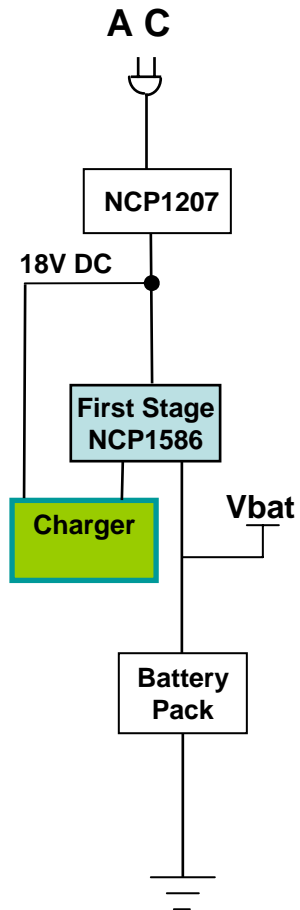


Solutions by application  
Ivan Tang / M.T. Chen  
Feb 1, 2005

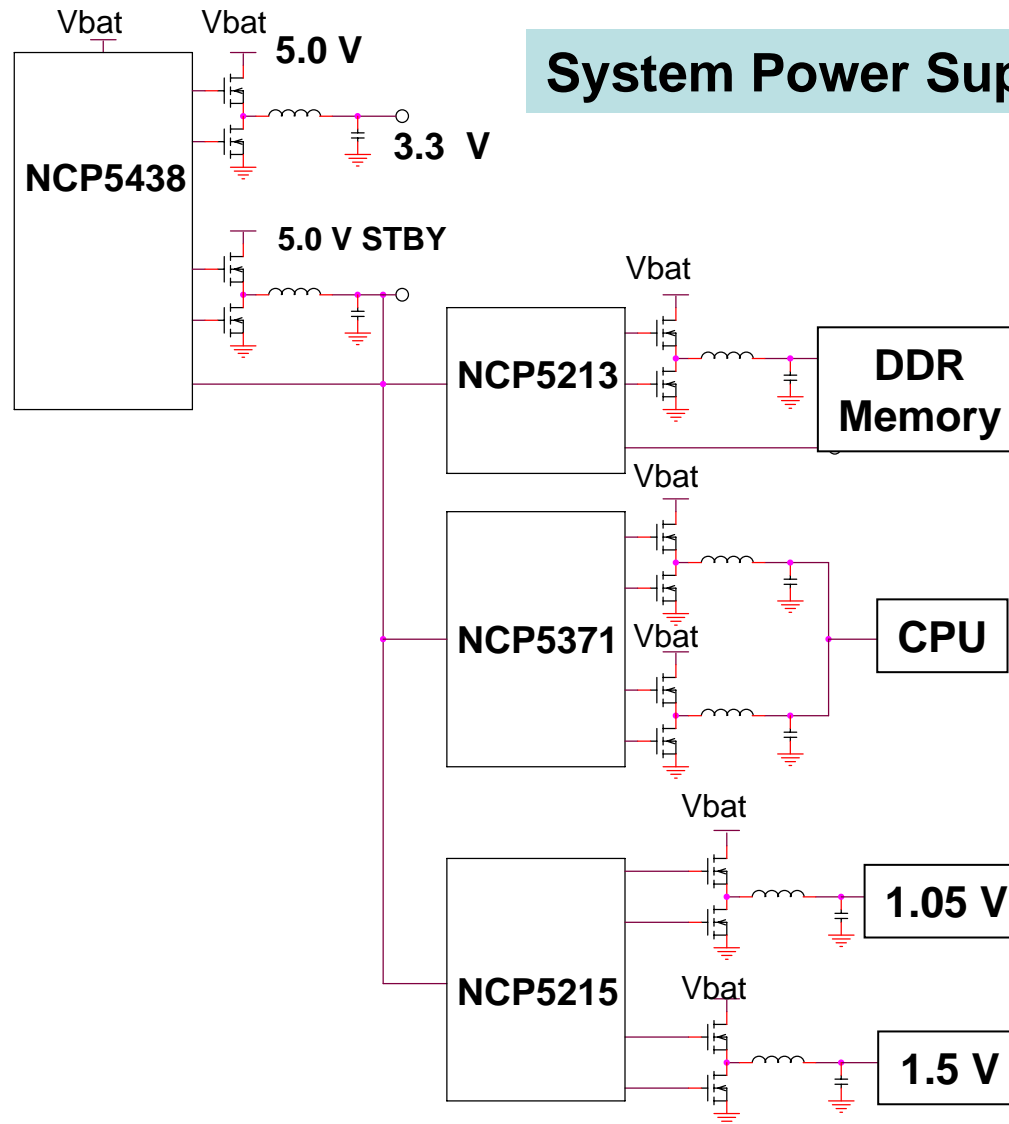
ON Semiconductor®

# ON Semi Notebook Architecture

## Battery Charger



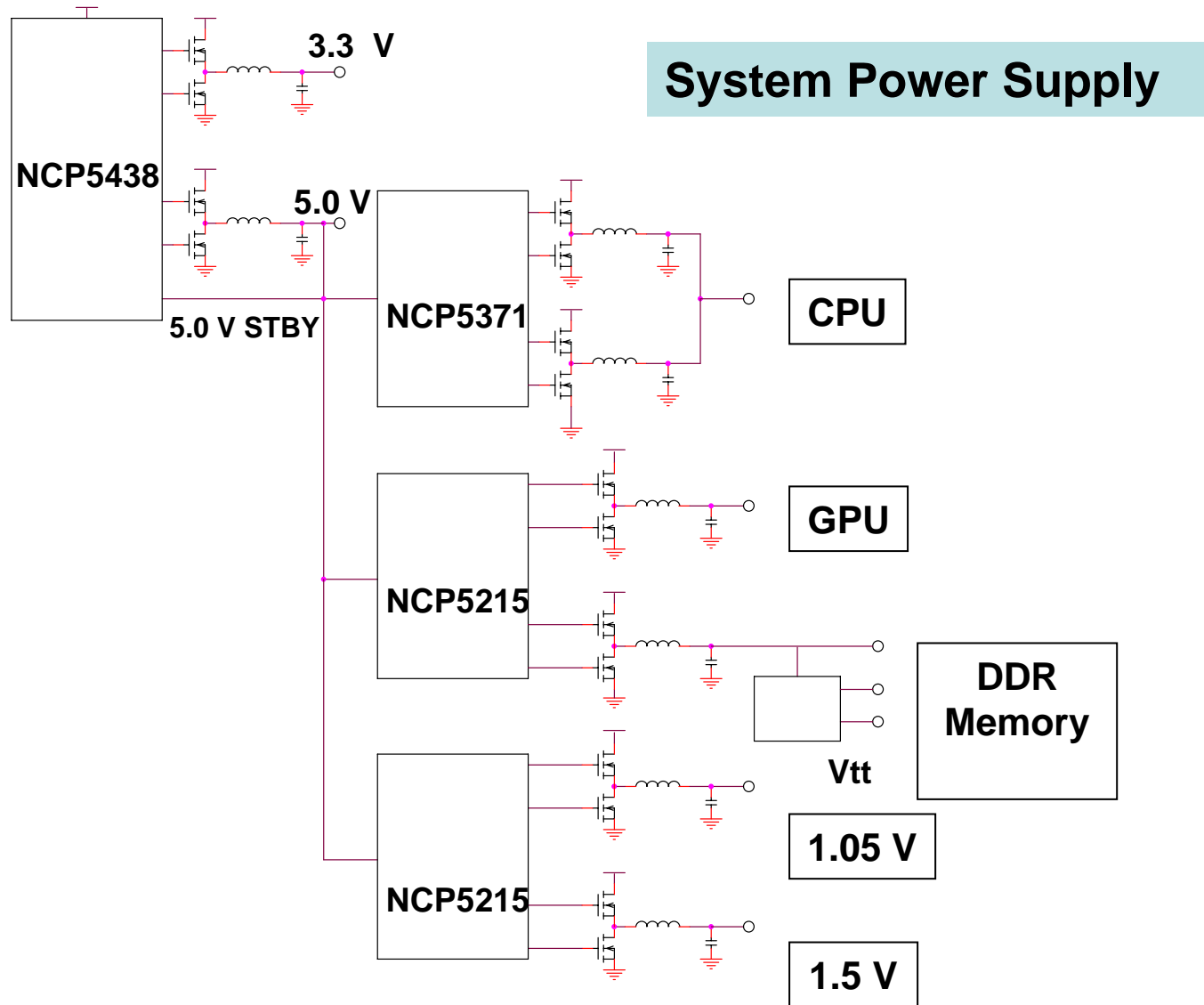
## System Power Supply



Solutions by application  
Ivan Tang / M.T. Chen  
Feb 1, 2005

ON Semiconductor®

# ON Semi Notebook Architecture



Solutions by application  
Ivan Tang / M.T. Chen  
Feb 1, 2005

ON Semiconductor®

# Solution for Notebook PC

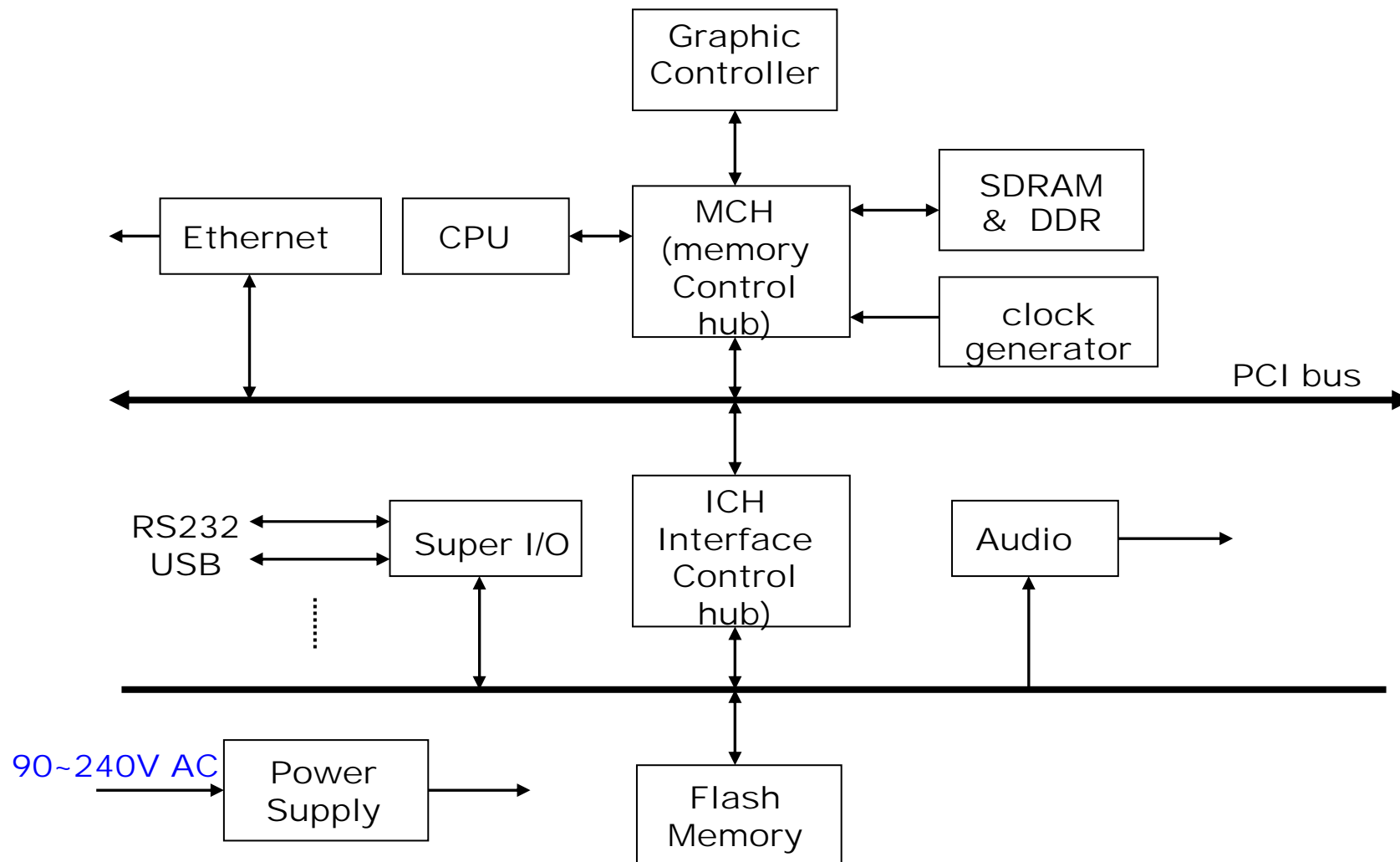
<u>Socket</u>	<u>Device</u>	<u>ON'S P/N</u>	<u>QTY</u>
Vcore analog	PWM	<b>N.A.</b>	<b>1</b>
Vcore MosFET	HS, 30V, 10mohm	<b>NTMS4705N</b>	<b>2</b>
	LS, 30V, 4.5mohm	<b>NTMS4107N</b>	<b>3</b>
DDR pwr controller	PWM	<b>NCP5213</b>	<b>1</b>
MosFET for DDR	HS, 30V, 7.2mohm	<b>NTMS4700N</b>	<b>1</b>
	LS, 30V, 4.5mohm	<b>NTMS4107N</b>	<b>1</b>
System power	controller	<b>N.A.</b>	<b>1</b>
System power, 3V, 5V	HS,	<b>NTMS4700N</b>	<b>1</b>
	LS	<b>NTMS4700N</b>	<b>1</b>
G/P Diode	1N4148/SOT23	<b>N.A.</b>	<b>2</b>
Linear Regulator	3-terminal regulator	<b>(depend on design)</b>	<b>2</b>
LDO	low voltage LDO	<b>(depend on design)</b>	<b>3</b>
G/P, FET	FET	<b>2N7002LT1</b>	<b>28</b>
S/S TR	MMBTXXX	<b>MMBTXXXX</b>	<b>5</b>
G/P OP	LM358	<b>LM358</b>	<b>3</b>
G/P Rectifier	rectifier	<b>MMBR130</b>	<b>2</b>
G/P Zener 1/4W	Zener	<b>(depend on design)</b>	<b>12</b>
Charger IC	PWM	<b>N.A.</b>	<b>1</b>
STD logic	logic IC	<b>(depend on design)</b>	<b>3</b>
USB ESD protection	USB ESD protection	<b>NUP2201MR6</b>	<b>2</b>



Solutions by application  
Ivan Tang / M.T. Chen  
Feb 1, 2005

**ON Semiconductor®**

# Basic Mother Board Block Diagram



Solutions by application  
Ivan Tang / M.T. Chen  
Feb 1, 2005

ON Semiconductor®



**ON Semiconductor™**

# **Solutions For Mother board**



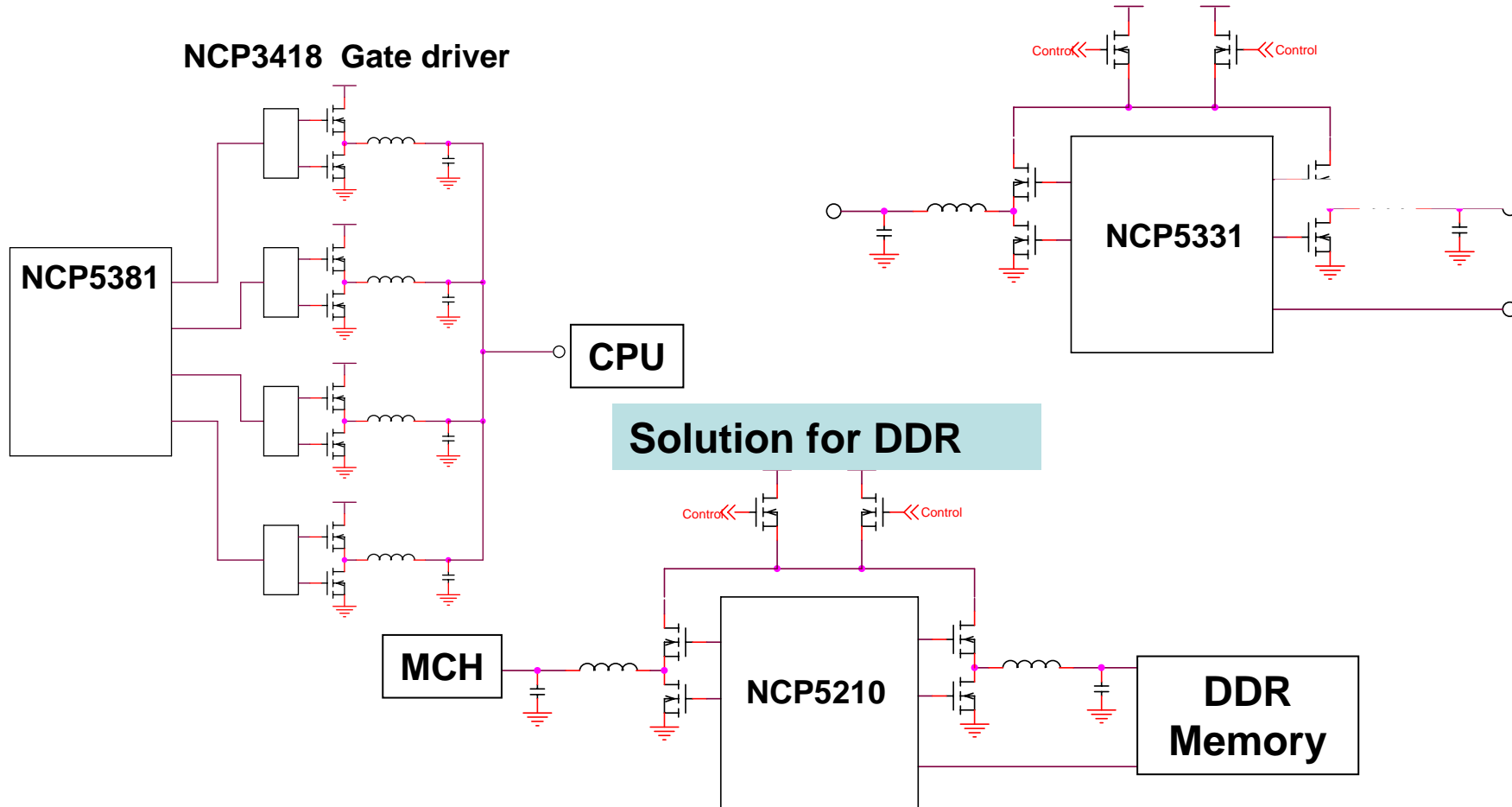
Solutions by application  
Ivan Tang / M.T. Chen  
Feb 1, 2005

**ON Semiconductor®**

# ON Semi Desktop Architecture

V-core solution for Intel CPU—VR 10, 11

V-core solution for AMD CPU

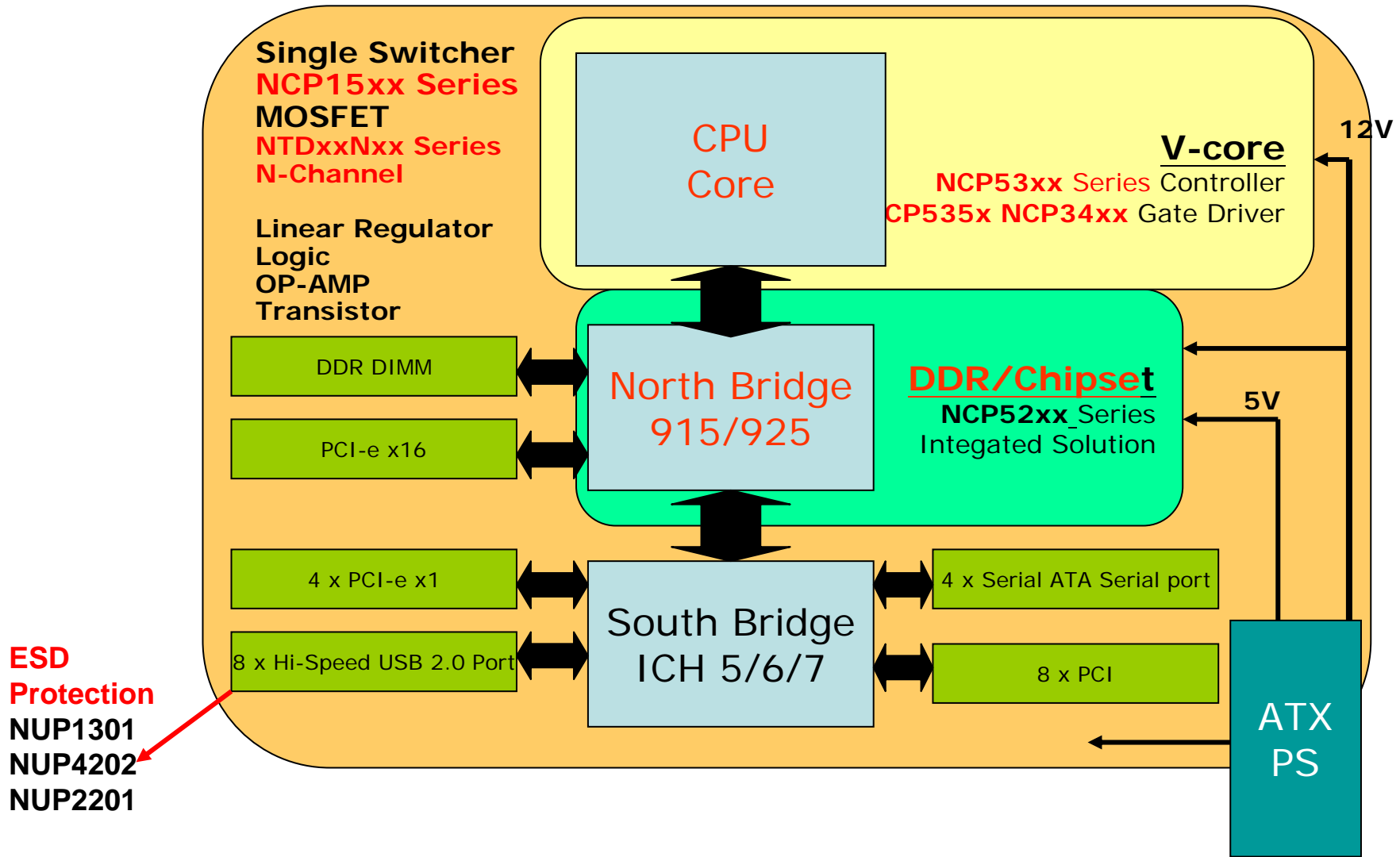


Solutions by application  
Ivan Tang / M.T. Chen  
Feb 1, 2005

ON Semiconductor®



# Solution for Mother board



Solutions by application  
 Ivan Tang / M.T. Chen  
 Feb 1, 2005

**ON Semiconductor®**

# Typical solution for mother board

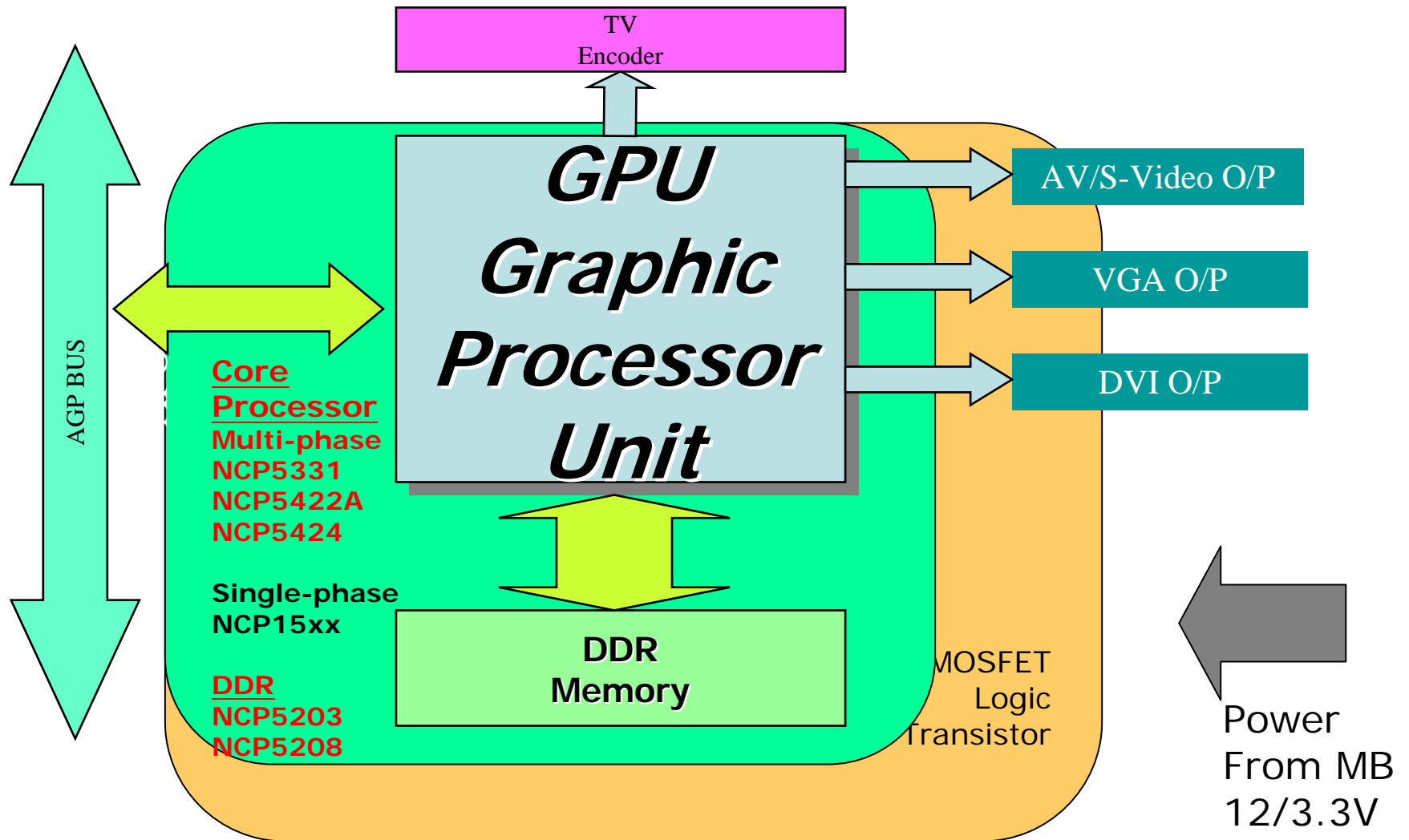
<u>Block</u>	<u>Socket</u>	<u>Recommended P/N</u>	<u>QTY</u>
CPU Vcore	PWM controller	NCP5314	1
	Gate driver	NCP5355	3
	HS MosFET	NTD60N02	3
	LS MosFET	NTD80N02	6
	1.2V LDO	N.A.	1
MCH	Dual op amp	LM358	1
	D2Pak FET	NTB23N03	2
DDR	PWM controller	NCP5201 or NCP5203 or NCP5210 or NCP5220	1
	MosFET	NTD60N02 or NTD40N03RT4	2
3.3V standby	1A, LDO	NCP1117DT	1
DAC	OP	LM317	1
Audio lin. Reg.	5V/0.5A	MC78M05	1
USB pot	ESD protection	NUP2201MR6	2
G/P Rectifier	---	(Depend on design)	4
G/P	---	BAV99	5
G/P S/S TR	---	MMBT3904/06/2222	20
G/P FETs	---	2N7002, MGSF2N02	6
G/P logic gate	---	(depend on design)	3



Solutions by application  
Ivan Tang / M.T. Chen  
Feb 1, 2005

**ON Semiconductor**<sup>®</sup>

# Solutions for Video card



Solutions by application  
Ivan Tang / M.T. Chen  
Feb 1, 2005

ON Semiconductor®



**ON Semiconductor™**

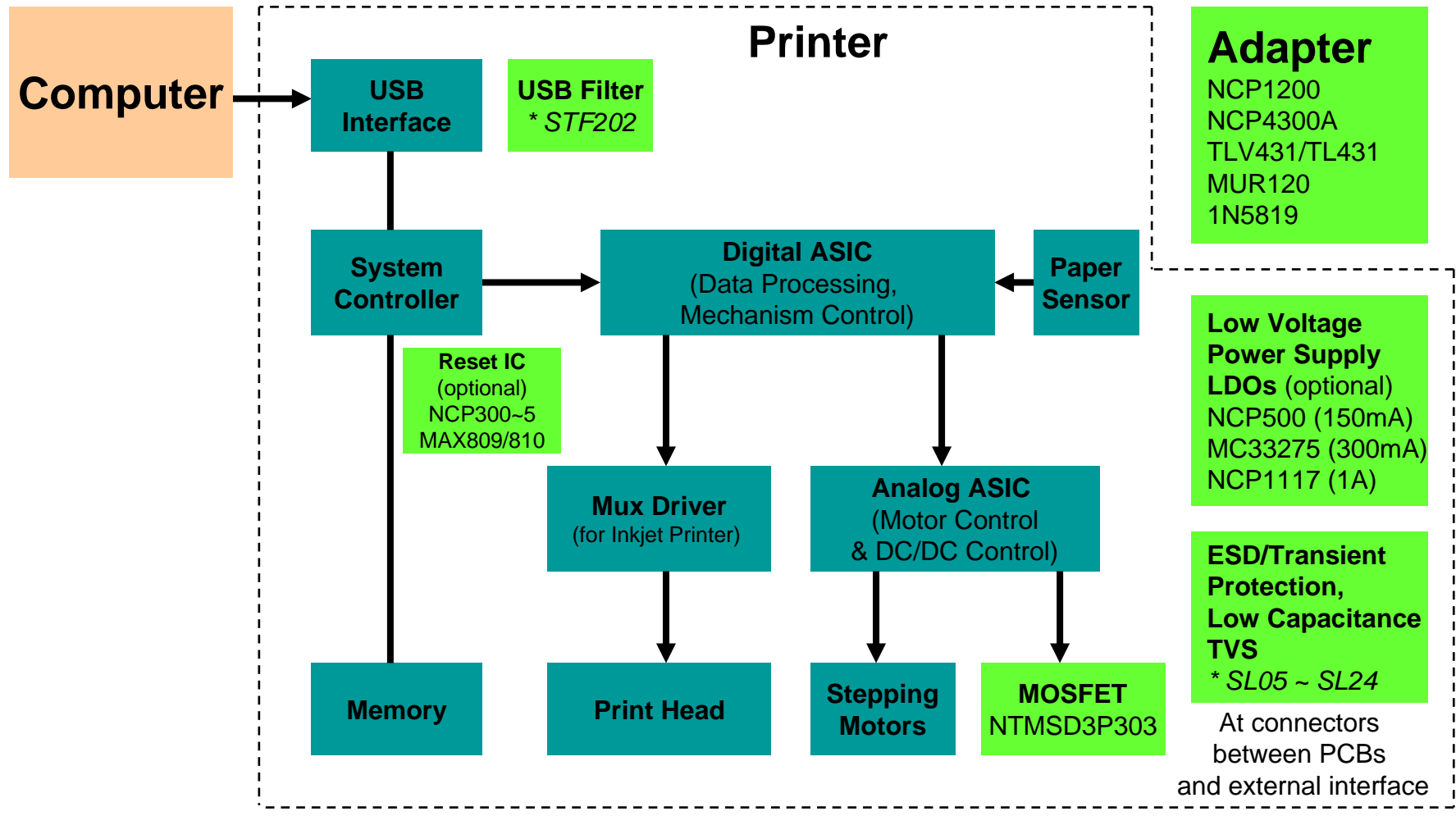
# **Solutions For PC Peripherals**



Solutions by application  
Ivan Tang / M.T. Chen  
Feb 1, 2005  
12

**ON Semiconductor®**

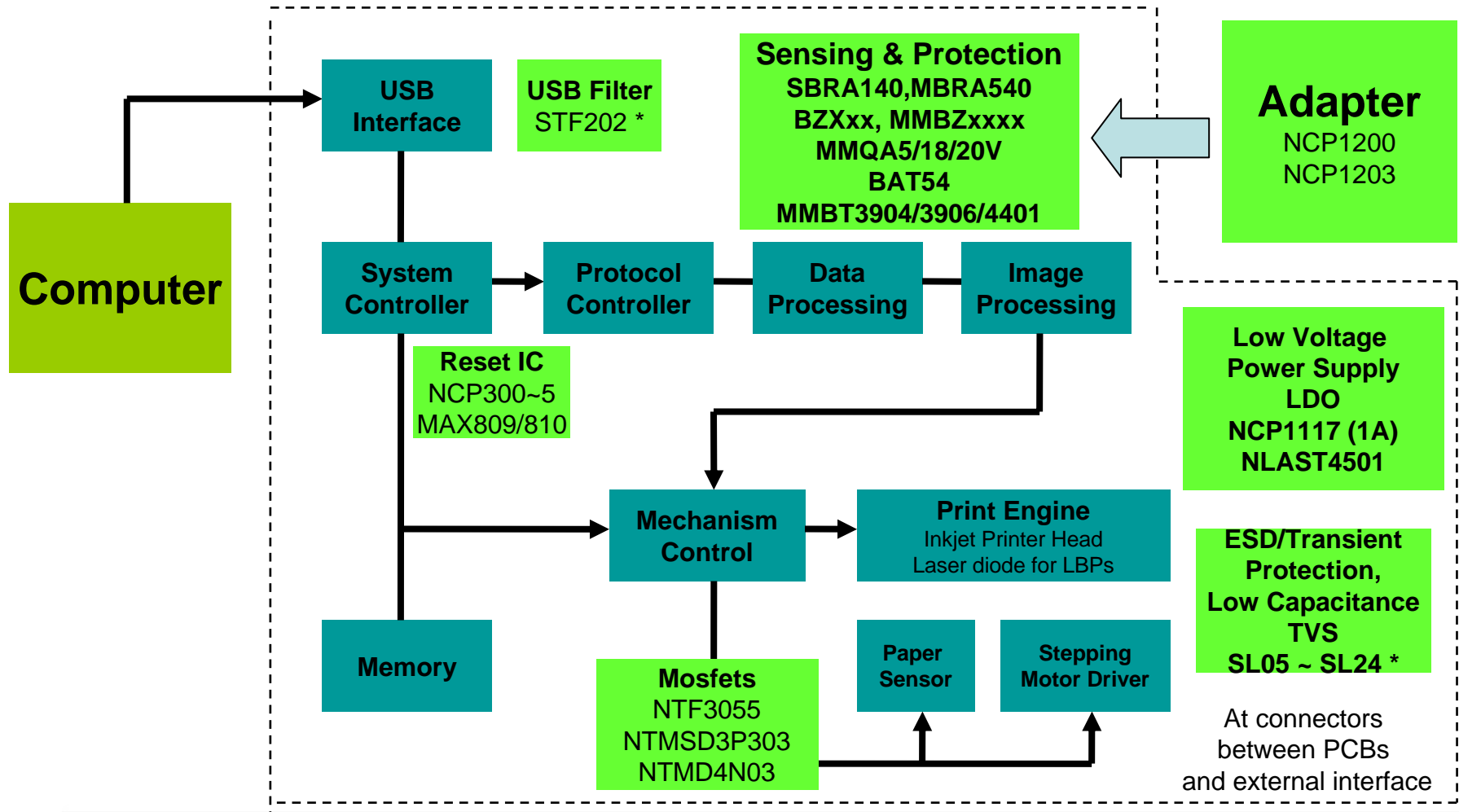
# Printer Block Diagram--I



Solutions by application  
 Ivan Tang / M.T. Chen  
 Feb 1, 2005

**ON Semiconductor**<sup>®</sup>

# Printer Block Diagram--II



Solutions by application  
Ivan Tang / M.T. Chen  
Feb 1, 2005

ON Semiconductor®