

1

2

3

4

D

D

C

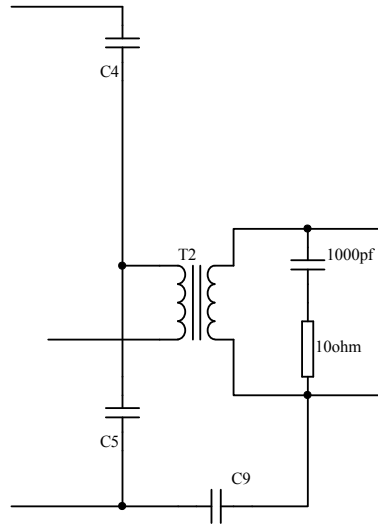
C

B

B

A

A



Title		
Size A4	Number	Revision
Date: 5-Oct-2005	Sheet of	
File: F:\CPROTEL\ET60T.SCH	Drawn By:	

1

2

3

4