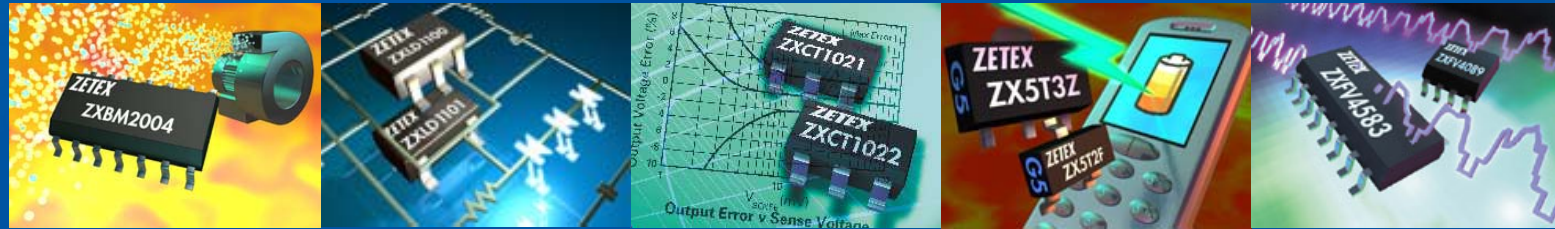


# Zetex Semiconductors



## Lighting Products

# LED driver ZXSC300/310/400 in Step-up Mode

## Description

- Very high efficiency: up to 94%
- Operation down to 0.8V and up to 8V
- Current regulation to 1% - ZXSC400
- Simple circuit
- Low cost solution
- Parallel or series LED configuration
- Pulsed or DC current output
- Small size: SOT23-5, SOT23-6

## Applications

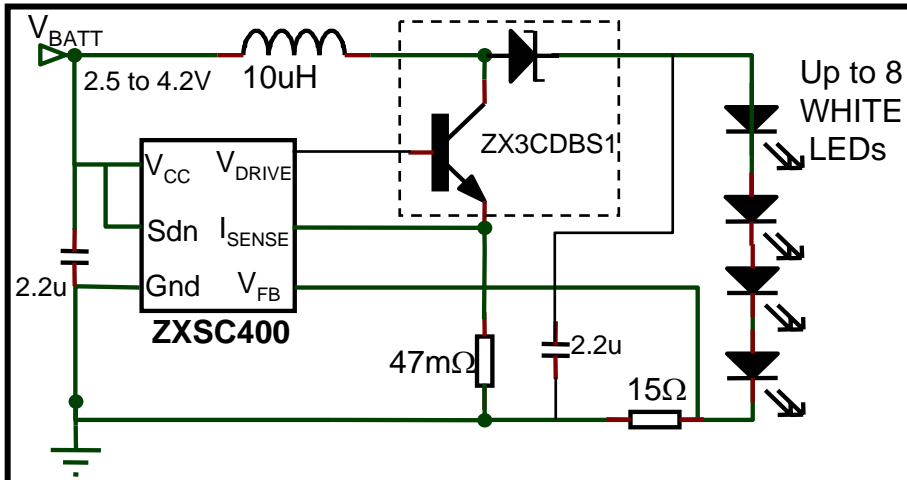
- LED flashlight
- Solar powered garden lighting
- Automotive lighting
- Halogen replacement
- Emergency lighting
- Display signs

## Market

- Consumer
- Consumer
- Automotive
- Consumer
- Consumer
- Consumer

## Unique Benefits & Advantages of ZXSC Series

- More efficient power conversion
- Longer battery life
- Reduced size and weight
- Start up under full load
- Minimum operating voltage  $V_{BATT}=0.8V$
- ZXSC300 - low cost LED driver
- ZXSC310 - with shutdown
- ZXSC400 - with current regulation



# LED driver ZXSC300/310 in buck boost mode

## Description

- Very high efficiency: up to 94%
- Operation down to 0.8V and up to 8V
- Simple circuit
- Low cost solution
- Single or multiple LED configuration
- PWM dimming
- Small size: SOT23-5

## Applications

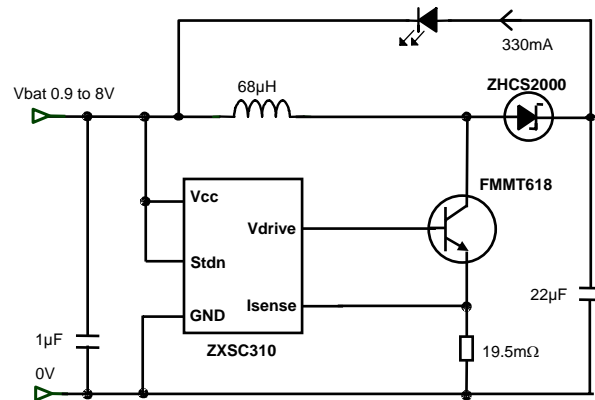
- LED flashlight
- Solar powered garden lighting
- Automotive lighting
- Halogen replacement
- Emergency lighting
- Display signs

## Market

- Consumer
- Consumer
- Automotive
- Consumer
- Consumer
- Consumer

## Unique Benefits & Advantages of ZXSC Series

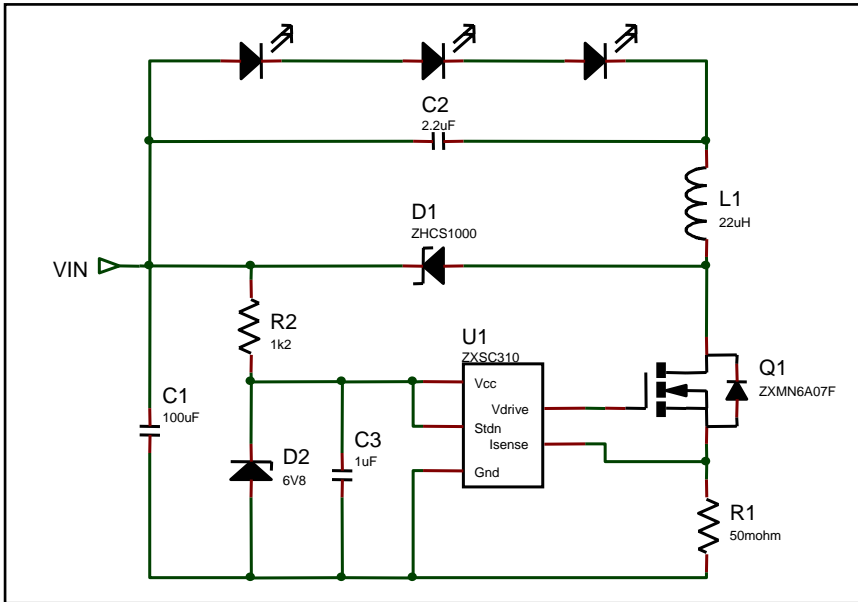
- More efficient power conversion
- Longer battery life
- Reduced size and weight
- Start up under full load
- Minimum operating voltage  $V_{BATT}=0.8V$
- **ZXSC300** - low cost LED driver
- **ZXSC310** - with shutdown



# LED driver ZXSC300/310 in buck mode

## Buck mode converter for 12V systems

- 98% efficiency
- Wide input voltage range ( depends on Zener diode D2)
- Q1 can be a MOSFET or Zetex transistor



## Applications

- Halogen replacement
- Automotive lighting
- High power LED flashlight
- Emergency lighting
- Display signs

## Market

- Consumer
- Automotive
- Consumer
- Consumer
- Consumer

## Unique Benefits & Advantages of ZXSC Series

- More efficient power conversion
- Wide voltage range set by external switch
- Reduced size and weight
- Start up under full load
- **ZXSC300** - low cost LED driver
- **ZXSC310** - with shutdown