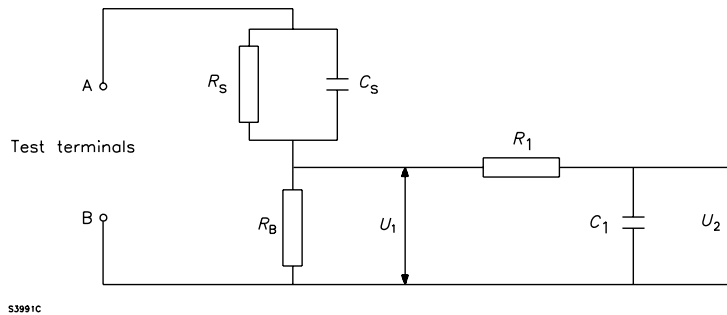


**Annex D**  
(normative)  
**Measuring instruments for touch-current tests**  
(see 5.1.4)

**D.1 Measuring instrument**

The measuring instrument of figure D.1 is from IEC 60990, figure 4.



$R_S$	1 500 $\Omega$	
$R_B$	500 $\Omega$	
$R_1$	10 k $\Omega$	
$C_S$	0,22 $\mu\text{F}$	
$C_1$	0,022 $\mu\text{F}$	
Voltmeter or oscilloscope (r.m.s. or peak reading)	Input resistance:	>1 M $\Omega$
	Input capacitance:	<200 pF
	Frequency range:	15 Hz up to 1 MHz
		(appropriate for the highest frequency of interest, see 1.4.7)

**Figure D.1 – Measuring instrument**

The measuring instrument is calibrated by comparing the frequency factor of  $U_2$  with the solid line in figure F.2 of IEC 60990 at various frequencies. A calibration curve is constructed showing the deviation of  $U_2$  from the ideal curve as a function of frequency.