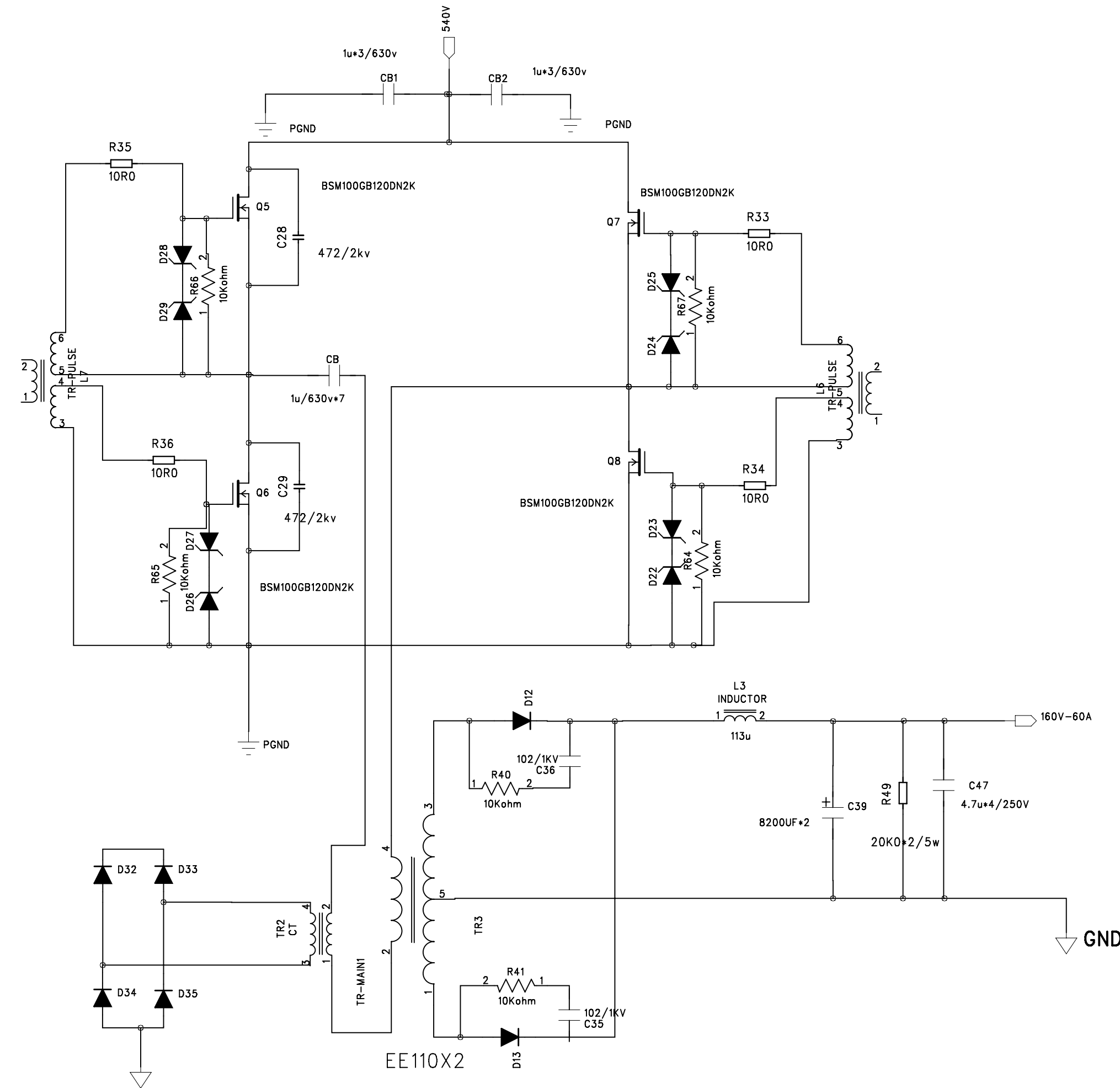


REVISION RECORD			
LTR	ECD NO:	APPROVED:	DATE:



COMPANY:			
TITLE: 10kwZVZCS功率?路			
DRAWN:	DATED:	CODE:	SIZE:
CHECKED:	DATED:	DRAWING NO:	REV:
QUALITY CONTROL:	DATED:		
RELEASED:	DATED:	SCALE:	SHEET: OF