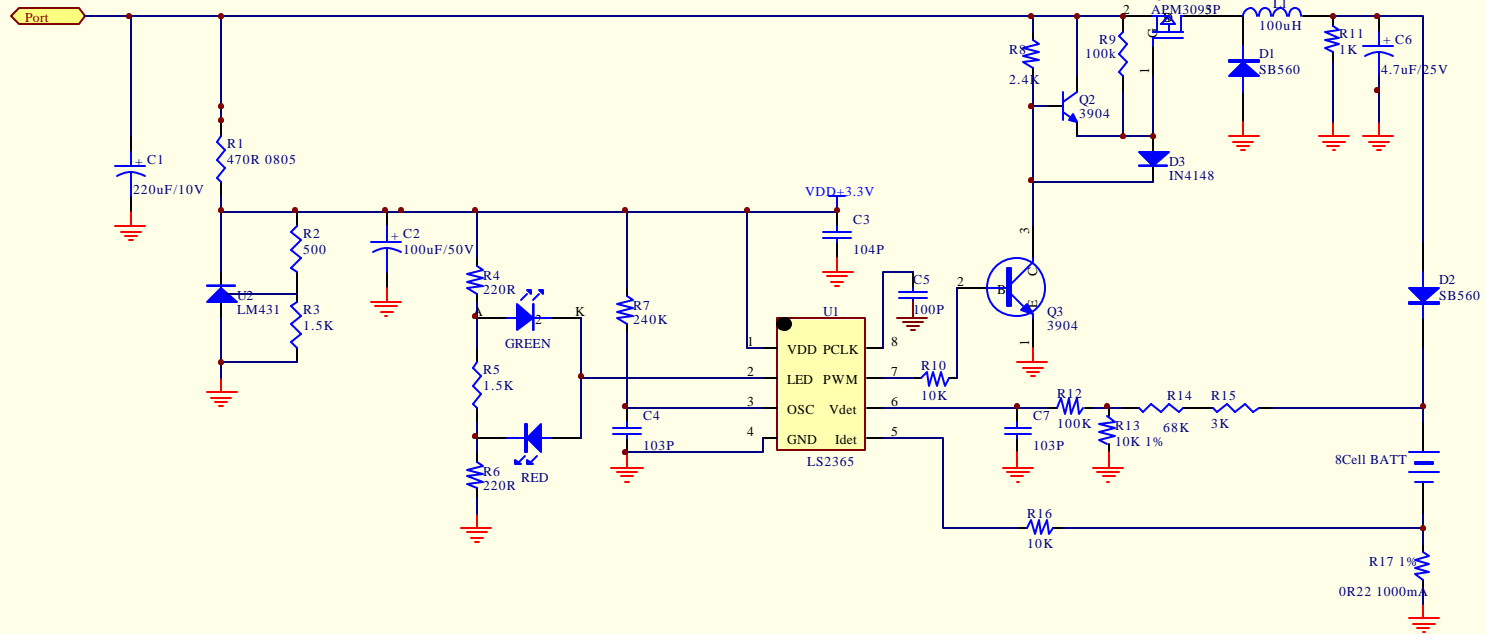


VIN 13~15V/2A



| Title                      |   |          |
|----------------------------|---|----------|
| LS2365 Application circuit |   |          |
| Size                       | Number  | Revision |
| A4                         | LKS   |          |
| Date:                      | 12-Aug-2005   | Sheet of |
| File:                      | C:\Documents and Settings\Bluewater\My Documents\LS2365_DDB | 1 of 1   |