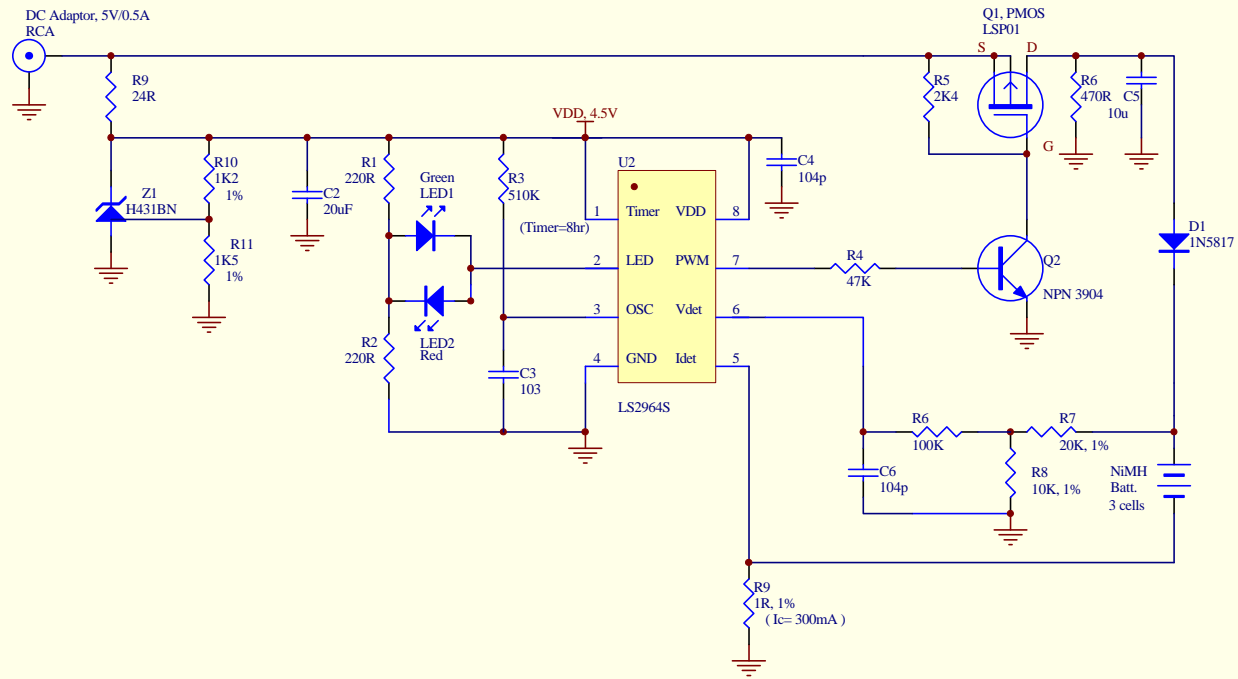


AN14ED



Title LS2964 NiMH Battery Charger Application circuit		http://www.linkas.com.tw/	
Remark: Suggested circuit maybe changed without notice.			
Size A4	Number 5V/0.5A for 3 cells	Revision R2.1	
Date: 7-Dec-2004	Sheet of 1 of 1	Drawn By:	
File: D:\0APP\AN\A14ED64A.SCH			