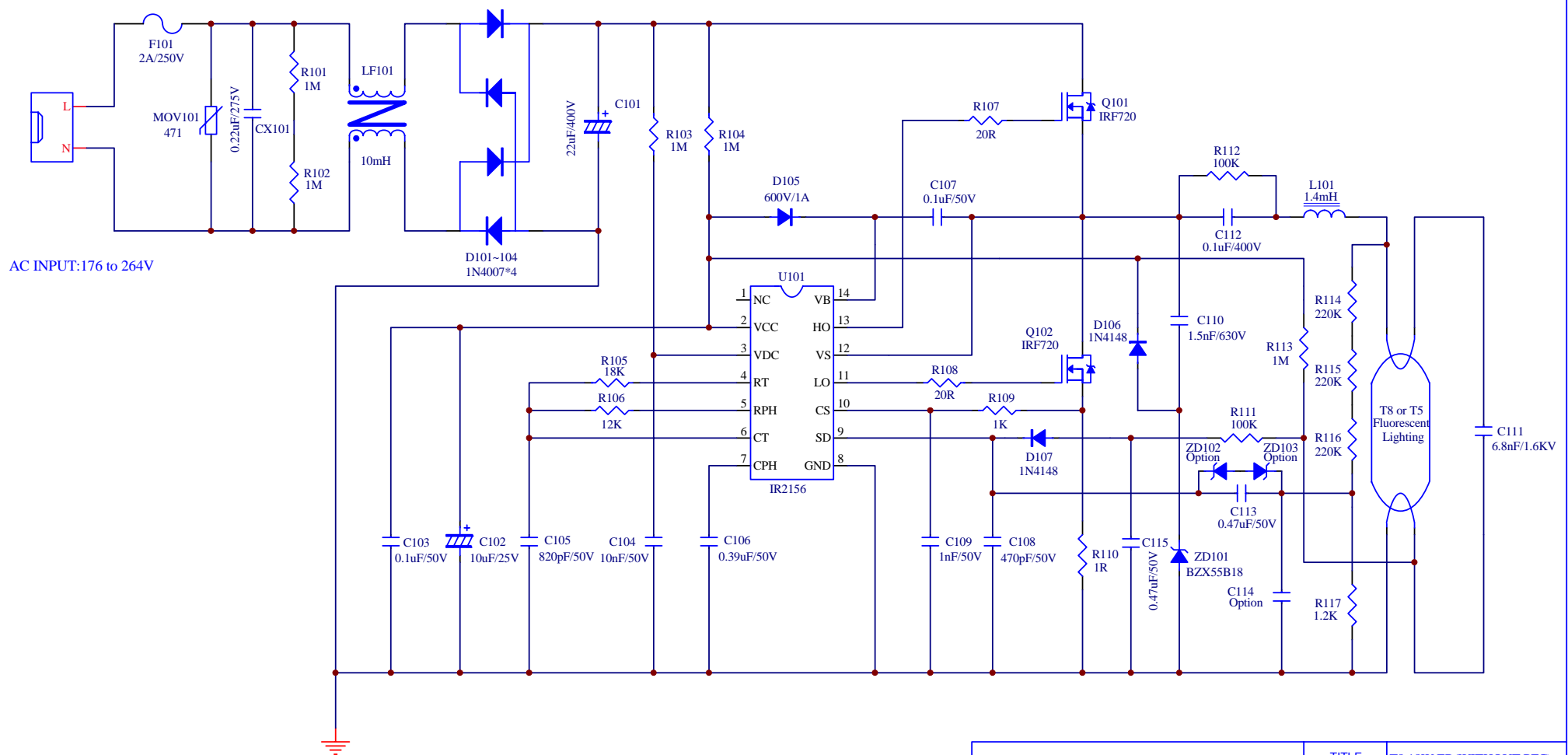


REV NO.	REVISION NOTE	DATE	SIGNATURE	CHECKED



<b>Conson Zeng</b>			TITLE		T8 18W EB(WITHOUT PFC)
			DRAWING NO.		
DWN. / DATE	CHK. / DATE	APP. / DATE	MODEL NO.	FLUORESCENT LIGHTING	
			PART NO.		
REVISION			PAGE	OF	