

UL 758

ISBN 0-7629-0437-2

Appliance Wiring Material

Underwriters Laboratories Inc. (UL)
333 Pfingsten Road
Northbrook, IL 60062-2096

UL Standard for Safety for Appliance Wiring Material, UL 758

First Edition, Dated July 14, 2000

Revisions: This Standard contains revisions through and including October 1, 2002.

Announcement Bulletin(s): This Standard contains the announcement bulletin(s) dated February 15, 2001. The announcement bulletin is located at the end of the Standard.

UL Standards for Safety are developed and maintained in the Standard Generalized Markup Language (SGML). SGML -- an international standard (ISO 8879-1986) -- is a descriptive markup language that describes a document's structure and purpose, rather than its physical appearance on a page. Due to formatting differences resulting from the use of UL's new electronic publishing system, please note that additional pages (on which no requirements have been changed) may be included in revision pages due to relocation of existing text and reformatting of the Standard.

Text that has been changed in any manner is marked with a vertical line in the margin. Changes in requirements are marked with a vertical line in the margin and are followed by an effective date note indicating the date of publication or the date on which the changed requirement becomes effective.

The following table lists the future effective dates with the corresponding reference.

Future Effective Date	References
July 14, 2005	Sections 46, 47, and 48

The revisions dated October 1, 2002 were issued to correct the following references in Table 8.1: Replaced "armada paper" with "aramid paper," and replaced "Play around fibers" with "Polyaramid fibers."

The master for this Standard at UL's Northbrook Office is the official document insofar as it relates to a UL service and the compliance of a product with respect to the requirements for that product and service, or if there are questions regarding the accuracy of this Standard.

UL's Standards for Safety are copyrighted by UL. Neither a printed copy of a Standard, nor the distribution diskette for a Standard-on-Diskette and the file for the Standard on the distribution diskette should be altered in any way. All of UL's Standards and all copyrights, ownerships, and rights regarding those Standards shall remain the sole and exclusive property of UL.

All rights reserved. No part of this publication may be reproduced, stored in a retrieval system, or transmitted in any form by any means, electronic, mechanical photocopying, recording, or otherwise without prior permission of UL.

Revisions of UL Standards for Safety are issued from time to time. A UL Standard for Safety is current only if it incorporates the most recently adopted revisions.

UL provides this Standard "as is" without warranty of any kind, either expressed or implied, including but not limited to, the implied warranties of merchantability or fitness for any purpose.

In no event will UL be liable for any special, incidental, consequential, indirect or similar damages, including loss of profits, lost savings, loss of data, or any other damages arising out of the use of or the inability to use this Standard, even if UL or an authorized UL representative has been advised of the possibility of such damage. In no event shall UL's liability for any damage ever exceed the price paid for this Standard, regardless of the form of the claim.

UL will attempt to answer support requests concerning electronic versions of its Standards. However, this support service is offered on a reasonable efforts basis only, and UL may not be able to resolve every support request. UL supports the electronic versions of its Standards only if they are used under the conditions and operating systems for which it is intended. UL's support policies may change from time-to-time without notification.

UL reserves the right to change the format, presentation, file types and formats, delivery methods and formats, and the like of both its printed and electronic Standards without prior notice.

Purchasers of the electronic versions of UL's Standards for Safety agree to defend, indemnify, and hold UL harmless from and against any loss, expense, liability, damage, claim, or judgement (including reasonable attorney's fees) resulting from any error or deviation introduced while purchaser is storing an electronic Standard on the purchaser's computer system.

If a single-user version electronic Standard was purchased, one copy of this Standard may be stored on the hard disk of a single personal computer, or on a single LAN file-server or the permanent storage device of a multiple-user computer in such a manner that this Standard may only be accessed by one user at a time and for which there is no possibility of multiple concurrent access.

If a multiple-user version electronic Standard was purchased, one copy of the Standard may be stored on a single LAN file-server, or on the permanent storage device of a multiple-user computer, or on an Intranet server. The number of concurrent users shall not exceed the number of users authorized.

Electronic Standards are intended for on-line use, such as for viewing the requirements of a Standard, conducting a word search, and the like. Only one copy of the Standard may be printed from each single-user version of an electronic Standard. Only one copy of the Standard may be printed for each authorized user of a multiple-user version of an electronic Standard. Because of differences in the computer/software/printer setup used by UL and those of electronic Standards purchasers, the printed copy obtained by a purchaser may not look exactly like the on-line screen view or the printed Standard.

An employee of an organization purchasing a UL Standard can make a copy of the page or pages being viewed for their own fair and/or practical internal use.

The requirements in this Standard are now in effect, except for those paragraphs, sections, tables, figures, and/or other elements of the Standard having future effective dates as indicated in the note following the affected item. The prior text for requirements that have been revised and that have a future effective date are located after the Standard, and are preceded by a "SUPERSEDED REQUIREMENTS" notice.

New product submittals made prior to a specified future effective date will be judged under all of the requirements in this Standard including those requirements with a specified future effective date, unless the applicant specifically requests that the product be judged under the current requirements. However, if the applicant elects this option, it should be noted that compliance with all the requirements in this Standard will be required as a condition of continued Recognition and Follow-Up Services after the effective date, and understanding of this should be signified in writing.

Copyright © 2002 Underwriters Laboratories Inc.

This Standard consists of pages dated as shown in the following checklist:

Page	Date
1-4	August 27, 2002
5-7	October 15, 2001
8	January 30, 2001
8A	August 27, 2002
8B	October 15, 2001
9-10	January 30, 2001
11	July 14, 2000
12-14	August 27, 2002
15	October 15, 2001
16	January 30, 2001
17-19	July 14, 2000
20-20B	October 15, 2001
21	July 14, 2000
22	October 15, 2001
23-24	July 14, 2000
25	January 30, 2001
26-30	August 27, 2002
30A	October 1, 2002
30B	August 27, 2002
31-32	January 30, 2001
32A	August 27, 2002
32B	January 30, 2001
33	July 14, 2000
34	October 15, 2001
35	January 30, 2001
36-37	July 14, 2000
38-42	August 27, 2002
43-44B	October 15, 2001
45	January 30, 2001
46-47	October 15, 2001
48	August 27, 2002
49-50	October 15, 2001
51	January 30, 2001
52	October 15, 2001
52A-52B	January 30, 2001
53	July 14, 2000
54	January 30, 2001
55	July 14, 2000
56-56B	January 30, 2001
57	July 14, 2000
58-59	January 30, 2001
60-61	August 27, 2002
62-63	October 15, 2001
64	August 27, 2002
65-66	October 15, 2001

No Text on This Page

JULY 14, 2000

(Title Page Reprinted: August 27, 2002)

1

UL 758

Standard for Appliance Wiring Material

First Edition

July 14, 2000

An effective date included as a note immediately following certain requirements is one established by Underwriters Laboratories Inc.

Revisions of this Standard will be made by issuing revised or additional pages bearing their date of issue. A UL Standard is current only if it incorporates the most recently adopted revisions, all of which are itemized on the transmittal notice that accompanies the latest set of revised requirements.

ISBN 0-7629-0437-2

COPYRIGHT © 2000, 2002 UNDERWRITERS LABORATORIES INC.

No Text on This Page

CONTENTS

FOREWORD	6
-----------------------	---

INTRODUCTION

1 Scope	7
2 General	8
2.1 Components	8
2.2 Units of measurement	8A
2.3 Undated references	8A

CONSTRUCTION

3 General	8A
4 Materials	16
5 Conductor	16
5.1 General	16
5.2 Metal	18
5.3 Size and cross-sectional area	21
5.4 Metal coating	21
5.5 Joints	21
5.6 Resistance	22
5.7 Stranding	22
5.8 Separator	25
6 Optical Fiber Member(s)	25
7 Insulation	25
7.1 General	25
7.2 Materials	26
7.3 Thickness	27
8 Coverings	30
9 Fillers	30A
10 Binders	31
11 Shield(s)	31
12 Cable Assembly	31
13 Overall Jacket	32A
13.1 General	32A
13.2 Materials	32A
13.3 Thickness	32A

PERFORMANCE**TESTS FOR THERMAL AND CHEMICAL PROPERTIES**

14 Physical Properties of Insulation and Jacket, Unaged and Air Oven Aged	38
15 Physical Properties of Insulation and Jacket, Oil Immersion Aging	39
16 Physical Properties of Gasoline Resistant Insulation and Jacket	40
17 Physical Properties of Insulation and Jacket, Sunlight Resistance	40
18 Conductor Corrosion Test	40
19 Deformation Test (Thermoplastics and Class XL Only)	41
20 Flexibility Test After Air Oven Conditioning	43
21 Heat Shock Test (Thermoplastic Materials Only)	43

22 Cold Bend Test44
23 Delamination Test44
24 Shrinkback Test – Special Rating TV Wires Only44A
25 Ozone Resistance Test – Special Rating TV Use Wires Only44A

TESTS FOR MECHANICAL PROPERTIES

26 Crush Resistance Test (Mechanical Abuse Rating B)46
--	-----

TESTS FOR ELECTRICAL PROPERTIES

27 Conductor Resistance Test47
28 Dielectric Test, Method I47
29 Dielectric Test, Method II49
30 Dielectric Test, Method III51
31 High-Voltage DC Wire Dielectric Voltage-Withstand Test, Method I52
32 High-Voltage DC Wire Dielectric Voltage-Withstand Test, Method II52A
33 High-Voltage Cut-Through Test, Special Rated TV Wire Only52B
34 Short Term Insulation-Resistance Test in Water at Room Temperature (Wet Rated AWM) ..	.54
35 Long Term Insulation-Resistance Test in Water at Elevated Temperature (Wet Rated AWM) ..	.54
36 Temperature Correction Factor (Wet Rated AWM)56A
37 Capacitance and Relative Permittivity Tests (Wet Rated AWM)59
38 Stability Factor (Wet Rated AWM)59

TESTS FOR FLAME PROPERTIES

39 Horizontal Flame Test for Use Rating I60
40 Cable Flame Test60
41 VW-1 Flame Test60
42 FT-1 Flame Test60
43 FT-2 Flame Test61

MANUFACTURING AND PRODUCTION TESTS

44 Test for Continuity of Conductors61
45 Spark Test62

MARKINGS

46 Surface Marking of AWM63
47 Markings on Tag, Reel, or Carton64
48 Multiple Markings65

No Text on This Page

FOREWORD

A. This Standard contains basic requirements for products covered by Underwriters Laboratories Inc. (UL) under its Follow-Up Service for this category within the limitations given below and in the Scope section of this Standard. These requirements are based upon sound engineering principles, research, records of tests and field experience, and an appreciation of the problems of manufacture, installation, and use derived from consultation with and information obtained from manufacturers, users, inspection authorities, and others having specialized experience. They are subject to revision as further experience and investigation may show is necessary or desirable.

B. The observance of the requirements of this Standard by a manufacturer is one of the conditions of the continued coverage of the manufacturer's product.

C. A product which complies with the text of this Standard will not necessarily be judged to comply with the Standard if, when examined and tested, it is found to have other features which impair the level of safety contemplated by these requirements.

D. A product that contains features, characteristics, components, materials, or systems new or different from those covered by the requirements in this standard, and that involves a risk of fire or of electric shock or injury to persons shall be evaluated using appropriate additional component and end-product requirements to maintain the level of safety as originally anticipated by the intent of this standard. A product whose features, characteristics, components, materials, or systems conflict with specific requirements or provisions of this standard does not comply with this standard. Revision of requirements shall be proposed and adopted in conformance with the methods employed for development, revision, and implementation of this standard.

E. UL, in performing its functions in accordance with its objectives, does not assume or undertake to discharge any responsibility of the manufacturer or any other party. The opinions and findings of UL represent its professional judgment given with due consideration to the necessary limitations of practical operation and state of the art at the time the Standard is processed. UL shall not be responsible to anyone for the use of or reliance upon this Standard by anyone. UL shall not incur any obligation or liability for damages, including consequential damages, arising out of or in connection with the use, interpretation of, or reliance upon this Standard.

F. Many tests required by the Standards of UL are inherently hazardous and adequate safeguards for personnel and property shall be employed in conducting such tests.

INTRODUCTION

1 Scope

Effective date for 1 changed from July 14, 2005 to January 30, 2001

1.1 These requirements cover Appliance Wiring Material (AWM) in the form of single insulated conductors, multi-conductor cables, optical fibers, individual insulated conductors, and fiber optic members for use as components in multi-conductor cables.

1.2 The appliance wiring material covered by the requirements of this Standard are solely for use as factory-installed wiring either within the overall enclosure of appliances and other equipment (internal wiring) or as external interconnecting cable for appliances (external wiring), or for further processing as components in multi-conductor cables.

1.3 These requirements do not cover any wire, cable, or cord types that are presently covered in the National Electrical Code (NEC), NFPA 70, and are not intended for installation in buildings or structures in accordance with the NEC except within the scope of the installation instructions of the end-product for which their use is intended.

1.4 These requirements cover appliance wiring material with operating temperatures from a minimum 60°C (140°F) dry temperature rating and voltage ratings from a minimum 30-volt rating. Conductor size ranges from 50 AWG to 2000 kcmil. Appliance wiring material (AWM) composed entirely of optical fiber members or electrical conductors in combination with optical fiber members are also covered by these requirements.

1.5 These requirements do not cover the optical performance of any optical-fiber member or group of such members.

1.6 In addition to these constructions, this Standard establishes guidelines for the evaluation of special constructions that, due to their specific end product use, are not required to meet all of the requirements for general construction AWM.

1.7 The final acceptance of AWM is dependent upon its use in complete equipment that conforms with the standards applicable to such equipment.

1.8 *Deleted October 15, 2001*

2 General

Effective date for 2 changed from July 14, 2005 to January 30, 2001

2.1 Components

2.1.1 Except as indicated in 2.1.2, a component of a product covered by this Standard shall comply with the requirements for that component.

2.1.2 A component is not required to comply with a specific requirement that:

- a) Involves a feature or characteristic not required in the application of the component in the product covered by this standard, or
- b) Is superseded by a requirement in this standard.

2.1.3 A component shall be used in accordance with its rating established for the intended conditions of use.

2.1.4 Specific components are incomplete in construction features or restricted in performance capabilities. Such components are intended for use only under limited conditions, such as certain temperatures not exceeding specified limits, and shall be used only under those specific conditions.

2.1.5 Polymeric materials evaluated for its intended use, are not prohibited from being used in the insulation and jacket applications indicated in Table 2.1.

Table 2.1
Polymeric materials for use in wire and cable and associated AWM ratings

AWM rating	Minimum average thickness of insulation,		Compound's use or rating
	inch	(mm)	
Sunlight resistant	0.030	0.76	Outer PVC or TPE insulation or jacket rated for 720 hours sunlight resistance
W60C (60°C Wet)	0.030	0.76	PVC insulation rated for use in Type TW thermoplastic-insulated wire
W60C or W75C (60°C or 75°C Wet)	0.030	0.76	PVC insulated rated for use in Types THW or THHW thermoplastic-insulated wire
W60C or W75C (60°C or 75°C Wet)	0.015	0.38	PVC insulation rated for use in Type THWN thermoplastic-insulated wire
W60C, W75C or W90C (60°C, 75°C, or 90°C Wet)	0.015	0.38	PVC insulation rated for use in Type THWN-2 thermoplastic-insulated wire

2.2 Units of measurement

2.2.1 Values stated without parentheses are the requirement. Values in parentheses are explanatory or approximate information.

2.2.2 Unless otherwise indicated, all voltage values mentioned in this Standard are root-mean-square (rms).

2.2.3 Equipment calibrated in metric units is to be used when a requirement is applied in metric terms.

2.3 Undated references

2.3.1 Any undated reference to a code or standard appearing in the requirements of this standard shall be interpreted as referring to the latest edition of that code or standard.

2.3.2 Wherever the designation "UL 1581" is used in this Standard, reference is to be made to the designated part(s) of the Standard for Electrical Wires, Cables, and Flexible Cords, UL 1581.

CONSTRUCTION

3 General

Effective date for 3 changed from July 14, 2005 to January 30, 2001

3.1 A coding system and definitions for each rating and use parameter used to help determine the acceptability of an AWM for a specific end-product use are located in Tables 3.1 and 3.2 respectively.

Table 3.1
Ratings and use codes^a

Table 3.1 revised August 27, 2002

Use rating	Mechanical rating	Dry location temperature rating ^c	Voltage rating ^d	Flame ratings ^e	Special ratings (one or more)
I – Internal wiring ^b	A – Not evaluated	Rating expressed in °C. Minimum temperature rating is 60°C.	Voltage rating expressed in volts (V), kilovolts (kV) or direct current kilovolts (kV DC). Minimum voltage rating is 30 V.	H – Horizontal Flame Test, Section 39	O60C – Oil 60°C
II – External wiring ^f	B – Normal handling		OF – Cables containing optical fiber members only	V – Cable Flame Test, Section 40	O75C – Oil 75°C
F – Further processing only in AWM cables	C – Special use, see tag markings		VM – Cables containing insulated conductors of mixed voltage ratings; see tag markings	VW-1 – VW-1 Flame Test, Section 41	O80C – Oil 80°C
S – Special applications, see tag marking				FT1 FT2 NR	W60C – Wet 60°C W75C – Wet 75°C W90C – Wet 90°C

Table 3.1 Continued on Next Page

Table 3.1 Continued

Use rating	Mechanical rating	Dry location temperature rating ^c	Voltage rating ^d	Flame ratings ^e	Special ratings (one or more)
					G – Gasoline resistant SUN RES – Sunlight resistant. OFM – Cable contains optical fiber members in addition to electrical conductors. SHIELDED – (Not required). Marking for AWM using one or more shields. TAG – See tag markings.
^a Example of code: "I B 80C 300V VW-1 O60C." ^b AWM Use Rating I may be used in Use Rating F applications. ^c Refer to Table 14.1 for acceptable ratings. ^d Volts AC rms unless specified otherwise. Refer to Table 45.1 for applicable ratings. ^e One or more ratings may apply. ^f AWM Use Rating II may be used in Use Rating I and Use Rating F applications.					

Table 3.2
Ratings and use code definitions

Use ratings	
I	Internal wiring – Totally enclosed by equipment enclosure or equivalent. Not required to use a protective integral or nonintegral jacket. Flame Rating H is required. Also suitable for Use Rating F applications.
II	External wiring – Partially or totally exposed from the equipment. Includes interconnecting wires and cables. Required to use a protective integral or nonintegral jacket. Flame Rating V is required. Also suitable for Use Rating I and Use Rating F applications.
F	For further processing – Only intended to be processed into Use Rating I, II, or S appliance wiring material.
S	Wiring for special applications – Intended to be installed in a special application with the possibility of being evaluated for special ratings or waiving certain construction and performance requirements of general internal (I) or external (II) use AWM. Special applications use are required to be marked on the tag or spool of the finished AWM.
Mechanical ratings	
A	Not evaluated
B	Evaluated for normal handling (See 7.3.1.3).
C	Additional use; see tag marking
Dry temperature ratings	
__ °C	The dry temperature rating is expressed in °C. Minimum dry temperature rating of AWM is 60°C. For AWM composed entirely of optical fiber members, cable coverings and jacket are evaluated for a temperature rating.
Voltage ratings	
OF	Composed entirely of optical fiber members.

Table 3.2 Continued on Next Page

Table 3.2 Continued

__V, _kV, _kV DC VM	Voltage rating expressed in volts (V), kilovolts (kV) or direct current kilovolts (kV DC). Minimum operating AC voltage rating of all electrical AWM wires and cables is 30 volts. Peak AC voltages are limited to the effective DC voltage. Multiple conductor cables composed of conductors with mixed voltage ratings. See tag marking.
Flame ratings	
H V VW-1 FT1 FT2 NR	Horizontal Vertical VW-1 FT-1 FT-2 Not flame rated
Special ratings – not required (one or more may be used)	

Table 3.2 Continued on Next Page

No Text on This Page

Table 3.2 Continued

O60C	Oil rated for 60°C – Insulation is rated for exposure to oil at 60°C. When only the jacket or the insulation and jacket of jacketed cable is oil rated at 60°C, it must be noted on the spool or tag. In this case the code must also include Special Rating S.
O75C	Oil rated for 75°C – Insulation is rated for exposure to oil at 75°C. When only the jacket or the insulation and jacket of jacketed cable is oil rated at 75°C, it must be noted on the tag markings. In this case the code must also include Special Rating S.
O80C	Oil rated for 80°C – Insulation is rated for prolonged exposure to oil at 80°C. When only the jacket or the insulation and jacket of jacketed cable is oil rated at 80°C, it must be noted on the tag markings. In this case the code must also include Special Rating S.
W60C	Wet rated for 60°C – Insulation is rated for continuous immersion in water at 60°C.
W75C	Wet rated for 75°C – Insulation is rated for continuous immersion in water at 75°C.
W90C	Wet rated for 90°C – Insulation is rated for continuous immersion in water at 90°C.
G	Gasoline resistant – Finished AWM is rated for continuous immersion in gasoline at room temperature.
"SUN RES" or "SUNLIGHT RESISTANT"	Outermost insulation, covering, or jacket is rated for continuous exposure to sunlight.
OFM	Indicates that the AWM contains optical fibers members in addition to electrical conductors.
SHIELDED	Not required – Marking to indicate that a finished AWM contains one or more electrical shields.
Special ratings – not required unless otherwise specified (one or more may be used)	
TAG	<p>Special ratings. See tag for use, or intended applications. Indicates AWM evaluated for a specific voltage or use defined in the tag marking. It is possible that the specific use requires additional tests that are different than those outlined in this Standard, or waive tests outlined in the Standard, or both based on the end use application.</p> <p>Examples of special uses, ratings, and intended applications.</p> <ol style="list-style-type: none"> 1) "AWM similar to Type (insert Listed wire type and category: SVT Flexible Cord, CM Communications Cable, etc.) except (insert exception to requirements) – This Construction Was Evaluated to the Test Requirements in the UL Standard (insert UL Standard number and title: UL 62, Flexible Cord and Fixture Wire, etc.)" 2) "Telephone Handset Cord" – Flame Rating H is required, even though it is an external use cable. 3) "Hermetically-Sealed Wiring" – This construction waives all flame test requirements. 4) "Television High Voltage Wire" – Intended for insulation in television equipment. Flame rating VW-1 is required. 5) "X-Ray Cable" – This construction is permitted to use mixed voltage rated conductors under a common jacket.

3.2 Tables 3.3 – 3.9 serve as indices to requirements for construction details and basic test methods for typical AWM constructions.

Table 3.3
Single or multiple conductor with extruded insulation

Uses:	I, II, F, S
Ratings:	Table 3.1
Conductors:	
Material	See Conductor, Section 5
Size	See Conductor, Section 5
Insulation:	
Material	See Insulation, Section 7
Thickness	See Insulation, Section 7
Covering:	
Material	See Coverings, Section 8
Markings:	See Surface Marking of AWM, Section 46, and Markings on Tag, Reel or Carton, Section 47
Basic tests: Physical Properties of Insulation and Jacket, Unaged and Air Oven Aged, Section 14 Conductor Corrosion Test, Section 18 Deformation Test (Thermoplastics and Class XL Only), Section 19 Flexibility Test After Air Oven Conditioning, Section 20 Heat Shock Test (Thermoplastic Materials Only), Section 21 Cold Bend Test, Section 22 Crush Resistance Test (Mechanical Abuse Rating B), Section 26 Dielectric Test, Method I, Section 28 Dielectric Test, Method II, Section 29 Dielectric Test, Method III, Section 30 Horizontal Flame Test for Use Rating I, Section 39 Elective tests/ratings: See Table 3.9	

Table 3.4
Single conductor with other-than-extruded insulation

Table 3.4 revised August 27, 2002

Uses:	I, II, F, S
Ratings:	Table 3.1
Conductors:	
Material	See Conductor, Section 5
Size	See Conductor, Section 5
Insulation:	
Material	See Insulation, Section 7
Thickness	See Insulation, Section 7
Markings:	See Surface Marking of AWM, Section 46, and Markings on Tag, Reel or Carton, Section 47
Basic tests: Conductor Corrosion Test, Section 18 Flexibility Test After Air Oven Conditioning, Section 20 Cold Bend Test, Section 22 Dielectric Test, Method I, Section 28 Dielectric Test, Method II, Section 29 Horizontal Flame Test for Use Rating I, Section 39 Elective tests/ratings: See Table 3.9	

Table 3.5
Parallel cable with extruded integral insulation and jacket

Table 3.5 revised August 27, 2002

Uses:	I, II, S
Ratings:	Table 3.1
Conductors:	
Material	See Conductor, Section 5
Size	See Conductor, Section 5
Integral insulation and jacket:	
Material	See Insulation, Section 7
Thickness	See Insulation, Section 7
Markings:	See Surface Marking of AWM, Section 46, and Markings on Tag, Reel or Carton, Section 47
Basic tests:	
Physical Properties of Insulation and Jacket, Unaged and Air Oven Aged, Section 14	
Conductor Corrosion Test, Section 18	
Deformation Test (Thermoplastics and Class XL Only), Section 19	
Flexibility Test After Air Oven Conditioning, Section 20	
Heat Shock Test (Thermoplastic Materials Only), Section 21	
Cold Bend Test, Section 22	
Dielectric Test, Method I, Section 28	
Dielectric Test, Method II, Section 29	
Dielectric Test, Method III, Section 30	
Horizontal Flame Test for Use Rating I, Section 39	
Cable Flame Test, Section 40	
Elective tests/ratings:	See Table 3.9

Table 3.6
Multiple-conductor cable using non-integral jacket

Table 3.6 revised August 27, 2002

Uses:	I, II, S
Ratings:	Table 3.1
Conductors:	
Material	See Conductor, Section 5
Size	See Conductor, Section 5
Insulated conductors:	See Insulation, Section 7 The voltage and temperature rating of the cable shall not exceed the lowest rating of either the insulated conductors or the fiber optic members. Cables designated mechanical Rating B shall use only insulated conductors that are designated mechanical Rating B. Cables with wet ratings W60C, W75C, and W90C shall use insulated conductors that comply with the applicable wet rating. Cables composed entirely of optical fiber members shall be designated with voltage Rating OF.
Covering:	
Material	See Coverings, Section 8
Shield:	See Shield(s), Section 11
Jacket:	
Material	See Overall Jacket, Section 13
Thickness	See Overall Jacket, Section 13

Table 3.6 Continued on Next Page

Table 3.6 Continued

Markings:	See Surface Marking of AWM, Section 46, and Markings on Tag, Reel, or Carton, Section 47
Basic tests: Insulated conductors tested in accordance with Tables 3.3, 3.4, 3.5, or 3.7. Physical Properties of Insulation and Jacket, Unaged and Air Oven Aged, Section 14 – Test jacket only. Deformation Test (Thermoplastics and Class XL Only), Section 19 Flexibility Test After Air Oven Conditioning, Section 20 Heat Shock Test (Thermoplastic Materials Only), Section 21 Cold Bend Test, Section 22 Horizontal Flame Test for Use Rating I, Section 39 Cable Flame Test, Section 40 Elective tests/ratings: See Table 3.9	

Table 3.7
Bonded or laminated flat ribbon cable

Table 3.7 revised October 15, 2001

Uses:	I, F, S
Ratings:	Table 3.1
Conductors:	
Material	See Conductor, Section 5
Size	See Conductor, Section 5
Insulation:	
Material	See Insulation, Section 7
Thickness	See Insulation, Section 7
Covering:	
Material	See Coverings, Section 8
Markings:	See Surface Marking of AWM, Section 46, and Markings on Tag, Reel, or Carton, Section 47
Basic tests: Physical Properties of Insulation and Jacket, Unaged and Air Oven Aged, Section 14 – Test bonded only Conductor Corrosion Test, Section 18 Deformation Test (Thermoplastics and Class XL Only), Section 19 Flexibility Test After Air Oven Conditioning, Section 20 Heat Shock Test (Thermoplastic Materials Only), Section 21 Cold Bend Test, Section 22 Delamination Test (Laminated Constructions Only), Section 23 Dielectric Test, Method I, Section 28 Dielectric Test, Method II, Section 29 Dielectric Test, Method III, Section 30 Horizontal Flame Test for Use Rating I, Section 39 Elective tests/ratings: See Table 3.9	

Table 3.8
High voltage DC wire with extruded insulation

Table 3.8 revised October 15, 2001

Uses:	I, II, F, S
Ratings:	Table 3.1
Conductors:	
Material	See Conductor, Section 5
Size	See Conductor, Section 5
Insulation:	
Material	See Insulation, Section 7 (solid insulation only)
Thickness	See Insulation, Section 7
Covering:	
Material	See Coverings, Section 8
Markings:	See Surface Marking of AWM, Section 46, and Markings on Tag, Reel, or Carton, Section 47
Basic tests:	
Physical Properties of Insulation and Jacket, Unaged and Air Oven Aged, Section 14	
Conductor Corrosion Test, Section 18	
Deformation Test (Thermoplastics and Class XL Only), Section 19	
Flexibility Test After Air Oven Conditioning, Section 20	
Heat Shock Test (Thermoplastic Materials Only), Section 21	
Shrinkback Test – Special Rating TV Wires Only, Section 24	
Ozone Resistance Test – Special Rating TV Use Wires Only, Section 25	
High-Voltage DC Wire Dielectric Voltage-Withstand Test, Method I, Section 31	
High-Voltage DC Wire Dielectric Voltage-Withstand Test, Method II, Section 32	
High-Voltage Cut-Through Test, Special Rated TV Wire Only, Section 33	
VW-1 Flame Test (required for TV wire), Section 41	
Elective tests/ratings: See Table 3.9	

Table 3.9
Elective tests and ratings

Flame tests:	VW-1 Flame Test, Section 41 FT-1 Flame Test, Section 42 FT-2 Flame Test, Section 43
Mechanical test:	Crush Resistance Test (Mechanical Abuse Rating B), Section 26
Sunlight resistance test:	Physical Properties of Insulation and Jacket, Sunlight Resistance, Section 17
Oil and gasoline resistance tests:	Physical Properties of Insulation and Jacket, Oil Immersion Aging, Section 15 Physical Properties of Gasoline Resistant Insulation and Jacket, Section 16
Wet ratings tests:	Temperature Correction Factor (Wet Rated AWM), Section 36

Table 3.9 Continued on Next Page

Table 3.9 Continued

	<p>Capacitance and Relative Permittivity Tests (Wet Rated AWM), Section 37</p> <p>Short Term Insulation-Resistance Test in Water at Room Temperature (Wet Rated AWM), Section 34, required for all wet rated wires.</p> <p>Long Term Insulation-Resistance Test in Water at Elevated Temperature (Wet Rated AWM), Section 35, at 50°C required for wires rated W60C.</p> <p>Long Term Insulation-Resistance Test in Water at Elevated Temperature (Wet Rated AWM), Section 35, at 75°C required for wires rated W75C.</p> <p>Long Term Insulation-Resistance Test in Water at Elevated Temperature (Wet Rated AWM), Section 35, at 90°C required for wires rated W90C.</p>
--	--

4 Materials

Effective date for 4 changed from July 14, 2005 to January 30, 2001

4.1 Each material used in AWM shall be compatible with all of the other materials used in the wire or cable.

4.2 Due to possible incompatibility, TPE materials of the styrenic type may not be suitable for use in cords whereby direct contact with PVC may occur. A separator is one acceptable means of avoiding direct contact. Other combinations of materials which could be incompatible, if any, are as yet undetected.

5 Conductor

Effective date for 5 changed from July 14, 2005 to January 30, 2001

5.1 General

5.1.1 A conductor consisting of a single wire is designated as a solid conductor, while one consisting of a number of individual wires is designated as a stranded conductor. The American Wire Gauge (AWG) numbers, the kcmil (thousands of circular mils) sizes, and the square-millimeter sizes each signify a definite nominal total cross-sectional area (see Table 5.1) independent of the conductor material. The individual wires used in making up a stranded conductor are not required to correspond to any particular AWG or other standard gauge size.

**Table 5.1
Conductor dimensions**

Size of conductor, AWG	Diameter of solid conductor				Cross-sectional area of stranded conductor			
	Nominal,		Minimum,		Nominal,		Minimum,	
	Mils	(mm)	Mils	(mm)	Cmils	(mm ²)	Cmils	(mm ²)
50	0.99	0.0251	0.98	0.025	0.980	0.000497	0.960	0.000486
49	1.11	0.0282	1.10	0.028	1.23	0.000624	1.21	0.000613
48	1.24	0.0315	1.23	0.031	1.54	0.000768	1.51	0.000765
47	1.40	0.0356	1.39	0.035	1.96	0.000993	1.92	0.000973
46	1.57	0.0399	1.55	0.029	2.46	0.00125	2.41	0.00122
45	1.76	0.0447	1.74	0.044	3.10	0.00157	3.04	0.00154
44	2.0	0.051	1.98	0.050	4.00	0.00203	3.92	0.00198
43	2.2	0.056	2.18	0.055	4.84	0.00245	4.74	0.00240
42	2.5	0.064	2.48	0.063	6.25	0.00317	6.13	0.003115
41	2.8	0.071	2.77	0.070	7.84	0.00397	7.68	0.00389
40	3.1	0.079	3.07	0.078	9.61	0.00487	9.42	0.00477
39	3.5	0.089	3.47	0.088	12.2	0.00621	11.9	0.00603
38	4.0	0.102	3.96	0.101	16.0	0.00811	15.7	0.00796
37	4.5	0.114	4.46	0.113	20.2	0.0103	19.8	0.0100
36	5.0	0.127	4.95	0.126	25.0	0.0127	24.5	0.0124
35	5.6	0.142	5.54	0.141	31.4	0.0159	30.8	0.0156
34	6.3	0.160	6.24	0.158	39.7	0.020	38.9	0.0197
33	7.1	0.180	7.03	0.179	50.4	0.0255	49.4	0.0250
32	8.0	0.203	7.92	0.201	64.0	0.0324	62.7	0.0318
31	8.9	0.226	8.81	0.244	79.2	0.0401	77.6	0.0393
30	10.0	0.254	9.9	0.251	100	0.0507	98	0.0497
29	11.3	0.287	11.2	0.284	128	0.0647	125	0.0633
28	12.6	0.320	12.5	0.318	159	0.0804	156	0.0790
27	14.2	0.361	14.1	0.358	202	0.102	198	0.100
26	15.9	0.404	15.7	0.399	253	0.128	248	0.126
25	17.9	0.455	17.7	0.450	320	0.162	314	0.159
24	20.1	0.511	19.9	0.506	404	0.205	396	0.201
23	22.6	0.574	22.4	0.568	511	0.259	501	0.254
22	25.3	0.643	25.0	0.637	640	0.324	627	0.318
21	28.5	0.724	28.2	0.717	812	0.412	796	0.404
20	32.0	0.813	31.7	0.805	1020	0.519	1000	0.509
19	35.9	0.912	35.6	0.904	1290	0.653	1264	0.641
18	40.3	1.02	40.0	1.016	1620	0.823	1588	0.807
17	45.3	1.15	44.9	1.140	2050	1.04	2009	1.02
16	50.8	1.29	50.3	1.278	2580	1.31	2528	1.28
15	57.1	1.45	56.5	1.435	3260	1.65	3195	1.62
14	64.1	1.63	63.5	1.613	4110	2.08	4028	2.04
13	72.0	1.83	71	1.81	5180	2.63	5076	2.58
12	80.8	2.05	80	2.03	6530	3.31	6399	3.24
11	90.7	2.30	90	2.28	8230	4.17	8065	4.09
10	101.9	2.588	101	2.56	10380	5.261	10172	5.16
9	114.4	2.906	113	2.88	13090	6.631	12828	6.50
8	128.5	3.264	127	3.23	16510	8.367	16180	8.20
7	144.3	3.665	143	3.63	20820	10.55	20404	10.34
6	162.0	4.115	160	4.07	26240	13.30	25715	13.03

Table 5.1 Continued on Next Page

Table 5.1 Continued

Size of conductor, AWG	Diameter of solid conductor				Cross-sectional area of stranded conductor			
	Nominal,		Minimum,		Nominal,		Minimum,	
	Mils	(mm)	Mils	(mm)	Cmils	(mm ²)	Cmils	(mm ²)
5	181.9	4.620	180	4.57	33090	16.77	32428	16.43
4	204.3	5.189	202	5.14	41740	21.15	40905	20.73
3	229.4	5.827	227	5.77	52620	26.67	51568	26.14
2	257.6	6.543	255	6.48	66360	33.62	65033	32.95
1	289.3	7.348	286	7.27	83690	42.41	82016	41.56
1/0	324.9	8.252	322	8.17	105600	53.49	103488	52.42
2/0	364.8	9.226	361	9.17	133100	67.43	130438	66.08
3/0	409.6	10.40	406	10.30	167800	85.01	164444	83.31
4/0	460.0	11.68	455	11.56	211600	107.2	207368	105.1
250	—	—	—	—	250	127	245	124.1
300	—	—	—	—	300	152	294	149.0
350	—	—	—	—	350	177	343	173.8
400	—	—	—	—	400	203	392	198.6
450	—	—	—	—	450	228	441	223.5
500	—	—	—	—	500	253	490	248.3
550	—	—	—	—	550	279	539	273.1
600	—	—	—	—	600	304	588	297.9
650	—	—	—	—	650	329	637	322.8
700	—	—	—	—	700	355	686	347.6
750	—	—	—	—	750	380	735	372.4
800	—	—	—	—	800	405	784	397.2
900	—	—	—	—	900	456	882	446.9
1000	—	—	—	—	1000	507	980	496.6
1100	—	—	—	—	1100	557	1078	546.2
1200	—	—	—	—	1200	608	1176	595.9
1250	—	—	—	—	1250	633	1225	620.7
1300	—	—	—	—	1300	659	1274	645.5
1400	—	—	—	—	1400	709	1372	695.2
1500	—	—	—	—	1500	760	1470	744.9
1600	—	—	—	—	1600	811	1568	794.5
1700	—	—	—	—	1700	861	1666	844.2
1750	—	—	—	—	1750	887	1715	869.0
1800	—	—	—	—	1800	912	1764	893.8
1900	—	—	—	—	1900	963	1862	943.5
2000	—	—	—	—	2000	1010	1960	993.1

5.1.2 A fibrous thread used within the conductor stranding and used as a reinforcing member to improve breaking strength is not prohibited from being used. The construction and arrangement of the threads is not specified.

5.2 Metal

5.2.1 A solid or stranded conductor shall not be used where subjected to any temperature that exceeds that shown for the metal as indicated in the third column of Table 5.2. The metal shall comply with the applicable ASTM specification, when specified, as indicated in Table 5.2.

**Table 5.2
Conductor – metal specifications**

Conductor metal	ASTM reference for the metal	Temperature limit for the metal, °C (°F)	Other limits
Copper, uncoated, each strand less than 0.015 inch (0.38 mm) in diameter	ANSI/ASTM B 3	150 (302)	
Copper, uncoated, each strand at least 0.015 inch (0.38 mm) in diameter	ANSI/ASTM B 3	200 (392)	
Copper, tin-coated, each strand less than 0.015 inch (0.38 mm) in diameter	ANSI/ASTM B 33	150 (302)	
Copper, tin-coated, each strand at least 0.015 inch (0.38 mm) in diameter	ANSI/ASTM B 33	200 (392)	
Copper, lead-base-alloy coated, each strand less than 0.015 inch (0.38 mm) in diameter	ANSI/ASTM B 189	150 (302)	
Copper, lead-base alloy coated, each strand at least 0.015 inch (0.38 mm) in diameter	ANSI/ASTM B 189	200 (392)	
Copper, silver-coated	ANSI/ASTM B 298	200 (392)	
Copper, nickel-coated	ANSI/ASTM B 355	250 (482)	
Copper, nickel-coated, Type A, 27 percent minimum nickel coated copper	ANSI/ASTM B 355	450 (842)	
Copper alloy, hard-drawn, less than 0.015 inch (0.38 mm) in diameter	ANSI/ASTM B 105	150 (302)	May be uncoated or provided with a tin, or lead-base-alloy coating
Copper alloy, hard-drawn, each strand at least 0.015 inch (0.38 mm) in diameter	ANSI/ASTM B 105	200 (392)	May be uncoated or provided with a tin, lead-base-alloy, silver, or nickel coating
Copper alloy, annealed, less than 0.015 inch (0.38 mm) diameter		150 (302)	High-strength copper-alloy (minimum tensile strength 55,000 psi or 379 MN/m ² or 37.9 kN/cm ² or 38.7 kgf/mm ²), 85 percent IACS ^a minimum conductivity, 6 percent minimum elongation. May be uncoated or provided with a tin, or lead based alloy coating
Copper alloy, annealed, at least 0.015 inch (0.38 mm) diameter		200 (392)	High-strength copper alloy (minimum tensile strength 55,000 psi or 379 MN/m ² or 37.9 kN/cm ² or 38.7 kN/cm ² or 38.7 kgf/mm ²), 85 percent IACS ^a minimum conductivity, 6 percent minimum elongation. May be uncoated or provided with a tin, or lead based alloy coating
Copper alloy, annealed or hard-drawn, silver-coated		200 (392)	
Copper alloy, annealed, or hard-drawn, nickel-coated		250 (482)	

Table 5.2 Continued on Next Page

Table 5.2 Continued

Conductor metal	ASTM reference for the metal	Temperature limit for the metal, °C (°F)	Other limits
Copper-clad aluminum, annealed or hard-drawn, 6530 circular mils or 3.31 mm ² (No. 12 AWG) and larger	ASTM B 566	90 (194)	Class 10A
Copper-clad steel less than 0.015 inch (0.38 mm) in diameter	ANSI/ASTM 452	150 (302)	Minimum conductivity of 30 percent IACS ^a
Copper-clad steel at least 0.015 inch (0.38 mm) in diameter	ANSI/ASTM 452	200 (392)	Minimum conductivity of 30 percent IACS ^a
Copper-clad steel, silver-coated	ANSI/ASTM 501	200 (392)	Minimum conductivity of 30 percent IACS ^a
Aluminum, 6,530 – 16,510 circular mils or 3.31 – 8.367 mm ² (Nos. 12 – 8 AWG), solid	ANSI/ASTM B800	90 (194)	Tensile-strength 15,000 – 22,000 psi or 103 – 152 MN/m ² or 10.3 – 15.2 kN/cm ² or 10.5 – 15.5 kgf/mm ² , elongation 10 percent or more with 10-inch or 250-mm gauge length – component aluminum wire stock (conductor material), formerly "aluminum conductor material (ACM)"
Aluminum, 26,240 – 211,600 circular mils or 13.30 – 107.2 mm ² (Nos. 6 – 4/0 AWG), solid 1/2 or 3/4 hard; or Aluminum, 6530 circular mils or 3.31 mm ² (No. 12 AWG) and larger, stranded, 1/2, 3/4, or hard:		90 (194)	
Aluminum, 3/4 hard	ANSI/ASTM B 609	90 (194)	Tensile strength 15,000 – 22,000 psi or 103 – 152 MN/m ² or 10.3 – 15.2 kN/cm ² or 10.5 – 15.5 kgf/mm ²
Aluminum, 1/2 hard	ANSI/ASTM B 609	90 (194)	Tensile strength 15,000 – 22,000 psi or 103 – 152 MN/m ² or 10.3 – 15.2 kN/cm ² or 10.5 – 15.5 kgf/mm ²
Aluminum, hard	ANSI/ASTM B 609	90 (194)	
Stainless steel		250 (482)	
Nickel-plated iron		250 (482)	
Nickel, alloy		450 (842)	Tensile strength 50,000 – 80,000 psi or 345 – 552 MN/m ² or 34.5 – 55.2 kN/cm ² or 35.1 – 56.2 kgf/mm ² ; elongation at least 35 percent; nominal volume resistivity 66 ohm circular mil/foot at 20°C (68°F) or 0.110 ohm mm ² /m at 20°C (68°F)
Nickel-chromium-iron		450 (842)	

^a IACS – International Annealed Copper Standard

Table 5.2.1
Maximum D-C resistance

Table 27.1 relocated as Table 5.2.1 October 15, 2001

Nominal conductor size, AWG	Solid conductor				Concentric-lay stranded conductor or bunch- stranded conductor			
	20°C (68°F)		25°C (77°F)		20°C (68°F)		25°C (77°F)	
	Ohms per 1000 ft.	Ohms per kilometer	Ohms per 1000 ft.	Ohms per kilometer	Ohms per 1000 ft.	Ohms per kilometer	Ohms per 1000 ft.	Ohms per kilometer
32	171.78	563.49	178.7	575.00	171.7	588.85	182.34	601.78
30	110.09	361.13	112.30	368.38	114.4	376.96	116.73	385.24
28	69.32	227.39	70.76	232.11	72.0	237.25	73.45	242.02
26	43.53	142.79	44.40	145.65	45.2	148.94	46.12	152.21
24	27.25	89.39	27.79	91.16	28.3	93.25	28.87	95.28
22	16.5	54.3	16.8	55.3	16.7	55.0	17.0	56.1
21	13.0	42.7	14.5	43.6	13.3	43.6	13.5	44.5
20	10.3	33.9	10.5	34.6	10.5	34.6	10.7	35.3
19	8.21	26.9	8.37	27.4	8.37	27.5	8.54	28.1
18	6.52	21.4	6.64	21.8	6.64	21.8	6.77	22.2
17	5.15	16.9	5.25	17.2	5.27	17.2	5.38	17.7
16	4.10	13.5	4.18	13.7	4.18	13.7	4.26	14.0
15	3.24	10.6	3.30	10.8	3.30	10.9	3.39	11.1
14	2.57	8.45	2.62	8.61	2.62	8.62	2.68	8.78
13	2.04	6.69	2.08	6.82	2.08	6.82	2.12	6.97
12	1.62	5.31	1.65	5.42	1.65	5.43	1.68	5.53
11	1.29	4.22	1.32	4.30	1.32	4.30	1.34	4.39
10	1.02	3.34	1.04	3.41	1.04	3.41	1.06	3.48

No Text on This Page

5.3 Size and cross-sectional area

5.3.1 The size of a conductor shall not be less than indicated in Table 5.1 when measured in accordance with Conductor Diameter, Section 26, of UL 1581.

5.3.2 Tinsel conductors may be used when they have been successfully evaluated for the particular use. Tinsel conductor requirements, including maximum temperature use and construction, shall be in accordance with the requirements in the Standard for Flexible Cord and Fixture Wire, UL 62.

5.3.3 The cross-sectional area of a stranded conductor shall not be less than indicated in Table 5.1 when determined by either of the following:

- a) The sum of the areas of its component round strands.
- b) The weight method outlined in UL 1581, for a round compact-stranded aluminum conductor or a round compressed-stranded copper or aluminum conductor.

5.3.4 The determination of conductor resistance described in 5.6.1 – 5.6.3 may be used as an alternative method for determining conductor cross-sectional area, and shall be used as the referee method of determining conductor size.

5.4 Metal coating

5.4.1 When the insulation adjacent to a copper or copper-clad aluminum conductor is of a material that corrodes unprotected copper as determined in the test in Conductor Corrosion, Section 500 of UL 1581, and when a protective separator is not provided, the solid conductor and each of the individual strands of a stranded conductor shall be separately covered with a metal or alloy coating complying with 4.1 as applicable to the finished wire.

5.4.2 In the case of a stranded conductor on which a coating is not required for corrosion protection and is solely to keep the insulation from adhering to copper, it is not prohibited to coat only the wires of the outer layer.

5.5 Joints

5.5.1 A joint (splice) in a solid conductor or in one of the individual wires of a stranded conductor shall not change the diameter of the solid conductor, the individual wire strand, or the overall stranded conductor. In other than flexing applications, a joint may be made in a stranded conductor as a whole or may be made by joining each individual wire. For flexing applications, joints shall be made by separately joining each individual strand. A joint shall be made only before any coverings are applied to an insulated conductor. The insulation applied to such joints shall be equivalent to that removed and shall comply with the requirements in this Standard. A joint in a compact or compressed-stranded conductor shall be made before compacting or compressing.

5.5.2 In a rope-lay-stranded conductor which consists of a central core surrounded by one or more layers of stranded members (primary groups), each member shall be spliced as a unit. These splices are not to be any closer together than two lay lengths.

5.6 Resistance

5.6.1 Deleted October 15, 2001

5.6.1.1 Conductor resistance shall be equal to or less than the maximum resistance values according to D-C Conductor Resistance, Tables 30.1 – 30.11 of UL 1581 for conductors in sizes 14 AWG through 2000 kcmil; Table 5.2.1 in this Standard for conductors between 15 – 32 AWG; and the Standard Specification for Fine-Wire Bunch-Stranded and Rope-Lay Bunch-Stranded Copper Conductors for Use as Electrical Conductors, ASTM B738 for conductors smaller than 32 AWG.

27.2 revised and relocated as 5.6.1.1 October 15, 2001

5.6.2 Deleted October 15, 2001

5.6.3 For conductors having a conductivity other than 100 percent, the maximum resistance is to be determined by multiplying the maximum resistance for uncoated copper by the ratio of 100 percent IACS (International Annealed Copper Standard) to the percent conductivity applicable to the conductor under consideration. For example, to determine the maximum resistance of a No. 12 AWG (6530 cmil or 3.31 mm²) solid 40-percent-conductivity copper-clad steel conductor:

- a) $R[\text{No. 12 AWG copper-clad steel at } 20^{\circ}\text{C (68}^{\circ}\text{F)}] = R(\text{No. 12 AWG copper at } 20^{\circ}\text{C}) \times 100/40 = R(\text{No. 12 AWG copper at } 20^{\circ}\text{C or } 68^{\circ}\text{F}) \times 2.5.$
- b) $R[\text{No. 12 AWG copper at } 20^{\circ}\text{C (68}^{\circ}\text{F)}] = 1.62 \text{ ohms/1000 feet or } 5.31 \text{ ohms/1000 kilometer.}$
- c) $R[\text{No. 12 AWG copper-clad at } 20^{\circ}\text{C (68}^{\circ}\text{F)}] = 1.62 \times 2.5 = 4.05 \text{ ohms/1000 feet or } 5.31 \times 2.5 = 13.28 \text{ ohms-kilometer.}$

5.6.4 Special alloy copper conductors having a conductivity of not less than 80 percent of stranded copper are not prohibited from being used when the finished wire or cable is suitable for the use, and when the cross section of the conductor is sufficient to give it a conductivity of not less than 80 percent of the standard conductor and the tag is marked to indicate its nominal AWG size.

5.7 Stranding

5.7.1 Stranded conductors shall use a method of stranding that complies with the requirements in 5.7.2 – 5.7.6.

5.7.2 The individual wires used in making up a stranded conductor are usually drawn to the same diameter, which is not required to be the diameter of any AWG or other standard gauge number. The individual wires of a concentric-lay-stranded conductor are not required to be all of the same diameter.

5.7.3 A 19-wire combination round-wire unilay-stranded conductor of soft-annealed copper or an aluminum alloy indicated in this section shall be round and shall consist of:

- a) A straight central wire,
- b) An inner layer of six wires of the same diameter as the central wire with the six wires having identical lengths of lay, and

c) An outer layer consisting of six wires of the same diameter as the central wire alternated with six smaller wires having a diameter of 0.732 times the diameter of the central wire and with all twelve wires of the outer layer having the same length of lay and direction of lay as the six wires of the inner layer (see Nominal strand and conductor dimensions for 19-wire combination round-wire unilay-stranded copper conductors, Table 20.6 of UL 1581).

No particular assembly of the individual wires of any other stranded conductor is required. However, simple bunching (untwisted strands) shall not be used for the entire conductor or any part thereof. The length of lay of the strands in a single-bunch bunch-stranded conductor shall not be greater than indicated in Table 5.3. The direction of lay of the strands in a single-bunch bunch-stranded conductor shall be left-hand. Any type of stranding indicated in Nominal strand and conductor dimensions for 19-wire combination round-wire unilay-stranded copper conductors, Table 210.2 of UL 1581 other than compact stranding or single-bunch bunch-stranding shall comply with 5.7.5 or 5.7.6 as applicable. The direction of lay of the outer layer shall be left-hand in all cases.

Table 5.3
Maximum lay of single-bunch, bunch stranded copper conductors

AWG size	Inches	(mm)
28 or higher	0.5	13
26	0.6	15
24	0.7	18
22	0.8	20
20	1.25	32
18	2.0	51
16	2.0	51
14	2.0	51
12	2.0	51
10	2.5	64
8	3.0	76
6	3.5	89
4	4.0	102

5.7.4 A compact-stranded conductor shall be a round conductor consisting of a central core wire (strand) surrounded by one or more layers of helically laid wires (strands). A compact-stranded copper conductor shall consist of uncoated strands. A compact-stranded aluminum conductor shall have all layers with the same direction of lay (left-hand unidirectional). A compact-stranded copper conductor shall be either left-hand unidirectional or have the direction of lay reversed in adjacent layers (concentric-lay-stranded with the outer layer left-handed) and with each layer rolled, drawn, or otherwise compressively formed to distort the originally round or partially preshaped strands to various close-fitting shapes that achieve almost complete filling of the spaces originally present between the strands. Each layer shall be compacted before the next layer is applied, and each compacted layer – including the outermost layer – shall have an essentially smooth, round outer surface. The length of lay of the strands in the outer layer of a No. 1 AWG – 1000 kcmil conductor shall be 8 – 16 times the overall diameter of that layer. The length of lay of the strands in the outer layer of a No. 50 – 2 AWG conductor shall be 8.0 – 17.5 times the overall diameter of that layer.

5.7.5 A compressed-stranded conductor shall be a round conductor consisting of a central core wire surrounded by one or more layers of helically laid wires with either the direction of lay reversed in successive layers, or of unilay or unidirectional lay. The direction of lay of the outer layer shall be left-hand

in all cases. The strands of one or more layers are slightly compressed by rolling, drawing, or other means to change the originally round strands to various shapes that achieve filling of some of the spaces originally present between the strands

5.7.6 Every stranded conductor covered in Percentage increase (k) in weight for type of strands, Table 210.2 of UL 1581 other than a compact-stranded conductor or a single-bunch bunch-stranded conductor shall comply with the following:

- a) The direction of lay of the strands, members, or ropes in a No. 6 AWG – 2000 kcmil conductor other than a combination unilay or compressed unilay or compressed unidirectional lay conductor shall be reversed in successive layers. Rope-lay conductors with bunch-stranded or concentric-stranded members shall be either unidirectional or reversed. All unidirectional lays and the outer layer of reversed lays shall be in the left-hand direction.
- b) For a bunch-stranded member of a rope-lay-stranded conductor in which the members are formed into rope-stranded components that are then cabled into the final conductor, the length of lay of the individual members within each component shall not be more than 30 times the outside diameter of one of those members.
- c) For a concentric-stranded member of a rope-lay-stranded conductor, the length of lay of the individual strands in a member shall be 8 – 16 times the outside diameter of that layer. The direction of lay of the strands in each member shall be reversed in successive layers of the member.
- d) The length of lay of the strands in both layers of a 19-wire combination round-wire unilay-stranded copper or aluminum conductor shall be 8 – 16 times the outside diameter of the completed conductor. Otherwise, the length of lay of the strands in every layer of a concentric-lay-stranded or compressed-stranded conductor consisting of fewer than 37 strands shall be a maximum of:
 - 1) 40 times the outside diameter of the conductor for No. 30 AWG or smaller conductors;
 - 2) 30 times the outside diameter of the conductor for No. 29 – No. 15 AWG conductors;
 - 3) 20 times the outside diameter of the conductor for No. 14 – No. 6 AWG conductors;
and
 - 4) 16 times the outside diameter of the conductor for No. 5 AWG and larger conductors.
- e) The length of lay of the strands in the outer two layers of a concentric-lay-stranded conductor consisting of 37 or more strands shall be 8 – 16 times the outside diameter of that layer.
- f) The length of lay of the members or ropes in the outer layer of a rope-lay-stranded conductor shall be 8 – 16 times the outside diameter of that layer.

5.8 Separator

5.8.1 The insulation shall be prevented, by the manufacturing process or by a separator constructed for the intended use, from penetrating between the strands of a stranded conductor for thermoset insulation.

5.8.2 A separator used between a conductor and insulation shall be clearly distinguishable from the conductor once the insulation is removed. The color shall be other than green or green and yellow; however, a separator that is solid, striped, or appears in some other pattern, complies with the intent of this requirement.

6 Optical Fiber Member(s)

Effective date for 6 changed from July 14, 2005 to January 30, 2001

6.1 A cable is not prohibited from being composed entirely of optical-fiber members or a combination of electrical conductors and optical-fiber members. Optical-fiber members in a cable shall be cabled alone or as a group with the same direction and with the same length of lay as the electrical conductors. In the performance of the cable, each optical-fiber member is to be evaluated as a filler. A group of optical-fiber members without any electrical conductor(s) that includes one or more non-current-carrying metal parts such as metal strength elements or metal vapor barriers may be used in a group of optical-fiber members without any electrical conductor(s). The construction of these parts is not specified. Each such part shall be physically and electrically isolated from any bare grounding conductor in the cable and shall be earth-grounded when the cable is installed.

7 Insulation

Effective date for 7 changed from July 14, 2005 to January 30, 2001

7.1 General

7.1.1 A conductor shall be insulated for its entire length. The insulation shall:

- a) Be applied directly to the surface of the conductor or to any separator;
- b) Cover the conductor or any separator completely; and
- c) Not have any defects that are visible with normal or corrected vision without magnification.

7.2 Materials

7.2.1 Specimens of solid single layered extruded insulations and each layer of multi-layer extruded insulations removed from finished insulated conductors shall meet the appropriate values of unaged and oven aged elongation and tensile strength provided in Tables 7.1 and 7.2, or any of the materials described in Specific Materials, Section 50 of UL 1581. Specimens shall be tested in accordance with the Physical Properties of Insulation and Jacket, Unaged and Air Oven Aged, Section 14, or shall be evaluated in accordance with Long-Term Aging, Section 481 of UL 1581.

Table 7.1
Physical properties, unaged, of materials used for insulation and jacket

Table 7.1 revised August 27, 2002

Polymer designation	Polymer type/test speed	Physical properties, unaged	
		Minimum average	
		Elongation, percent	Tensile strength, psi (kgf/mm ²)
MFA – Methylfluoroalkoxy	Thermoplastic/20 ±2 inches per minute	200	2500 (1.76)
PU – Polyurethane	Thermoplastic/20 ±2 inches per minute	100	1500 (1.05)
TPES – Thermoplastic polyester	Thermoplastic/20 ±2 inches per minute	100	1500 (1.05)
Silicone without an outer covering or braid	Thermoset/20 ±2 inches per minute	250	1200 (0.84)

Table 7.2
Physical properties, air oven aged, of insulation and jackets

Table 7.2 revised August 27, 2002

Polymer designation	Dry temperature rating, °C (°F)	Physical properties, air oven aged			
		Air oven conditioning		Minimum percent of unaged values	
		Oven temperature, °C ±2 (°F ±3)	Time, days	Elongation, percent	Tensile strength, percent
MFA – Methylfluoroalkoxy	200 (392)	260 (500)	4	85	85
	250 (482)	287 (549)	7	85	85
PU – Polyurethane	60 (140)	100 (212)	7	65 ^a	70
	75 (167)	100 (212)	10	65 ^a	70
	80 (176)	113 (235)	7	65 ^a	70
TPES – Thermoplastic polyester	60 (140)	100 (212)	7	65	70
	75 (167)	100 (212)	10	65	70
	80 (176)	113 (235)	7	65	70
Silicone without an outer covering or braid	150 (302)	158 (316)	60	25 ^b	60 ^c
	200 (392)	210 (410)	60	25 ^d	60 ^e

^a 45 percent elongation for die-cut specimens complies with the intent of this requirement.
^b Elongation of 100 percent complies with this requirement.
^c Tensile strength of 600 psi (0.42 kgf/mm²) complies with the intent of this requirement.
^d Elongation of 150 percent complies with the intent of this requirement.
^e Tensile strength of 850 psi (0.6 kgf/mm²) complies with the intent of this requirement.

7.2.2 Foamed and foam/skin insulation and non-extruded insulations shall be evaluated in accordance with the Flexibility Test After Oven Conditioning, Section 20.

7.2.3 Materials that are evaluated for use at 75°C (167°F) in UL 1581 may be evaluated for use at 80°C (176°F). The aging period shall be 7 days at 113°C (235°F) or 60 days at 87°C (189°F), and the physical-properties requirements shall be the same as for the 75°C rating.

7.3 Thickness

7.3.1 Deleted October 15, 2001

7.3.1.1 Relocated as 7.3.2 October 15, 2001

7.3.1.2 Relocated as 7.3.3 October 15, 2001

7.3.1.3 Relocated as 7.3.4 October 15, 2001

7.3.2 Measurements from which the average thickness is to be determined shall be made in accordance with Thicknesses of Insulation on Thermoplastic- and Thermoset-Insulated Wires and Cable, Section 240 of UL 1581.

7.3.1.1 relocated as 7.3.2 October 15, 2001

7.3.3 The minimum thickness at any point shall be at least 90 percent of the average thickness, rounded to the nearest 0.001 inch (0.025 mm).

7.3.1.2 relocated as 7.3.3 October 15, 2001

7.3.4 For wires with extruded insulation with the mechanical abuse Rating B, the thicknesses shown in Tables 7.4 – 7.6 apply. Thinner thicknesses or non-extruded insulators may be evaluated for a B rating by subjecting the wires to the Crush Resistance Test (Mechanical Abuse Rating B), Section 26.

7.3.1.3 relocated as 7.3.4 October 15, 2001

Table 7.3 **Aging conditions for insulation and jackets**

Table 7.3 revised and relocated as Table 14.1 October 15, 2001

Table 7.4
Thickness requirements for extruded, non-fluoropolymer insulation materials^a

Table 7.4 revised August 27, 2002

Conductor size, AWG	Conductor size, mm ²	Minimum average wall thickness (Avg) and minimum wall thickness at any point (Min) of insulation									
		Wires rated 30 volts, inch (mm)		Wires rated 60, 90, 125, and 150 volts, inch (mm)		Wires rated 300 volts, inch (mm)		Wires rated 600, 1000 volts, inch (mm)		Wires rated over 1000 volts, inch (mm)	
		Avg	Min	Avg	Min	Avg	Min	Avg	Min	Avg	Min
50 – 31	0.01	0.006 (0.15)	0.005 (0.13)	0.012 (0.30)	0.011 (0.28)	0.012 (0.30)	0.011 (0.28)	0.030 (0.76)	0.027 (0.69)	b	b
30 – 25	0.05 – 0.01	0.006 (0.15)	0.005 (0.13)	0.012 (0.30)	0.011 (0.28)	0.012 (0.30)	0.011 (0.28)	0.030 (0.76)	0.027 (0.69)	b	b
24 – 20	0.50	0.006 (0.15)	0.005 (0.13)	0.012 (0.30)	0.011 (0.28)	0.012 (0.30)	0.011 (0.28)	0.030 (0.76)	0.027 (0.69)	b	b
19 – 15	0.65 – 1.5	0.006 (0.15)	0.005 (0.13)	0.015 (0.38)	0.013 (0.33)	0.015 (0.38)	0.013 (0.33)	0.030 (0.76)	0.027 (0.69)	b	b
14 – 12	2.5	0.006 (0.15)	0.005 (0.13)	0.020 (0.51)	0.018 (0.46)	0.020 (0.51)	0.018 (0.46)	0.030 (0.76)	0.027 (0.69)	b	b
11, 10	4.0	0.006 (0.15)	0.005 (0.13)	0.030 (0.76)	0.027 (0.69)	0.030 (0.76)	0.027 (0.69)	0.030 (0.76)	0.027 (0.69)	b	b
9, 8	6.0	b	b	b	b	0.030 (0.76)	0.027 (0.69)	0.045 (1.14)	0.041 (1.04)	–	–
7, 6	10.0	b	b	b	b	0.045 (1.14)	0.041 (1.04)	0.060 (1.52)	0.054 (1.37)	–	–
5 – 2	16.0 – 25.0	b	b	b	b	0.045 (1.14)	0.041 (1.04)	0.060 (1.52)	0.054 (1.37)	–	–
1 – 4/0	35.0 – 95.0	b	b	b	b	0.060 (1.52)	0.041 (1.04)	0.080 (2.03)	0.072 (1.83)	–	–
250 – 500 kcmil	120 – 240	b	b	b	b	0.060 (1.52)	0.041 (1.04)	0.095 (2.41)	0.086 (2.18)	–	–
501 – 1000 kcmil	300 – 500	b	b	b	b	0.060 (1.52)	0.041 (1.04)	0.110 (2.79)	0.099 (2.51)	–	–
1001 – 2000 kcmil	630 – 1000	b	b	b	b	0.060 (1.52)	0.041 (1.04)	0.125 (3.18)	0.112 (2.84)	–	–

^a This table is intended to show the required insulation thickness for a given AWG or metric diameter dimension. The conductor sizes are not intended to indicate equivalence between English and metric units. Please see Table 5.1, Conductor Dimensions, for equivalence between English and metric conductor sizes.

^b Use Rating S, special applications

Table 7.5
Thickness requirements for extruded, fluoropolymer insulation materials (ECTFE, ETFE, FEP, MFA, PFA, PTFE, and PVDF)^a

Table 7.5 revised August 27, 2002

Conductor size, AWG	Conductor size, mm ²	Minimum average wall thickness (Avg) and minimum wall thickness at any point (Min) of insulation									
		Wires rated 30 volts, inch (mm)		Wires rated 60, 90, 125, and 150 volts, inch (mm)		Wires rated 300 volts, inch (mm)		Wires rated 600, 1000 volts, inch (mm)		Wires rated over 1000 volts, inch (mm)	
		Avg	Min	Avg	Min	Avg	Min	Avg	Min	Avg	Min
50 – 31	0.01	0.005 (0.13)	0.004 (0.10)	0.006 (0.15)	0.005 (0.13)	0.009 (0.23)	0.008 (0.20)	0.020 (0.51)	0.018 (0.46)	b	b
30 – 25	0.05 – 0.1	0.005 (0.13)	0.004 (0.10)	0.006 (0.15)	0.005 (0.13)	0.009 (0.23)	0.008 (0.20)	0.020 (0.51)	0.018 (0.46)	b	b
24 – 20	0.50	0.005 (0.13)	0.004 (0.10)	0.006 (0.15)	0.005 (0.13)	0.009 (0.23)	0.008 (0.20)	0.020 (0.51)	0.018 (0.46)	b	b
19	0.65	0.005 (0.13)	0.004 (0.10)	0.009 (0.23)	0.008 (0.20)	0.009 (0.23)	0.008 (0.20)	0.020 (0.51)	0.018 (0.46)	b	b
18 – 15	1.0 – 4.20	0.005 (0.13)	0.004 (0.10)	0.012 (0.30)	0.011 (0.28)	0.015 (0.38)	0.013 (0.33)	0.020 (0.51)	0.018 (0.46)	b	b
14 – 12	2.5	0.005 (0.13)	0.004 (0.10)	0.012 (0.30)	0.011 (0.28)	0.015 (0.38)	0.013 (0.33)	0.020 (0.51)	0.018 (0.46)	b	b
11, 10	4.0	0.005 (0.13)	0.004 (0.10)	0.012 (0.30)	0.011 (0.28)	0.015 (0.38)	0.013 (0.33)	0.030 (0.76)	0.027 (0.69)	–	–
9, 8	6.0	b	b	b	b	0.015 (0.38)	0.013 (0.33)	0.030 (0.76)	0.027 (0.69)	–	–
7, 6	10.0	b	b	b	b	b	b	0.030 (0.76)	0.027 (0.69)	–	–
5 – 2	16.0 – 25.0	b	b	b	b	b	b	0.030 (0.76)	0.027 (0.69)	–	–
1 – 4/0	35.0 – 95.0	b	b	b	b	b	b	0.045 (1.14)	0.041 (1.04)	–	–
250 – 2000 kcmil	120 – 1000	b	b	b	b	b	b	0.060 (1.52)	0.054 (1.37)	–	–

^a This table is intended to show the required insulation thickness for a given AWG or metric diameter dimension. The conductor sizes are not intended to indicate equivalence between English and metric units. Please see Table 5.1, Conductor Dimensions, for equivalence between English and metric conductor sizes.

^b Use Rating S, special applications

Table 7.6
Thickness requirements for PVC insulation with a nylon jacket^a

Table 7.6 revised August 27, 2002

Conductor size, AWG	Conductor size, mm ²	Wires rated 300 volts			Wires rated 600, 1000 volts		
		PVC wall thickness, inch (mm)		Nylon wall thickness, inch (mm)	PVC wall thickness, inch (mm)		Nylon wall thickness, inch (mm)
		Avg	Min	Min	Avg	Min	Min
24 – 19	0.50	0.009 (0.23)	0.008 (0.20)	0.002 (0.05)	0.015 (0.38)	0.013 (0.33)	0.004 (0.10)
18 – 15	1.00 – 1.5	0.009 (0.23)	0.008 (0.20)	0.002 (0.05)	0.015 (0.38)	0.013 (0.33)	0.004 (0.10)
14 – 12	2.5	0.012 (0.30)	0.011 (0.28)	0.002 (0.05)	0.015 (0.38)	0.013 (0.33)	0.004 (0.10)
11, 10	4.0	0.015 (0.38)	0.013 (0.33)	0.003 (0.08)	0.020 (0.51)	0.018 (0.56)	0.004 (0.10)
9, 8	6.0	0.015 (0.38)	0.013 (0.33)	0.003 (0.08)	0.030 (0.76)	0.027 (0.69)	0.005 (0.13)
7, 6	10.0	0.030 (0.76)	0.027 (0.69)	0.005 (0.13)	0.030 (0.76)	0.027 (0.69)	0.005 (0.13)
5 – 2	16.0 – 25.0	0.040 (1.02)	0.036 (0.91)	0.006 (0.15)	0.040 (1.02)	0.036 (0.91)	0.006 (0.15)
1 – 4/0	35.0 – 95.0	0.050 (1.27)	0.045 (1.14)	0.007 (0.18)	0.050 (1.27)	0.045 (1.14)	0.007 (0.18)

^a This table is intended to show the required insulation thickness for a given AWG or metric diameter dimension. The conductor sizes are not intended to indicate equivalence between English and metric units. Please see Table 5.1, Conductor Dimensions, for equivalence between English and metric conductor sizes.

8 Coverings

Effective date for 8 changed from July 14, 2005 to January 30, 2001

8.1 Coverings over insulated conductors, groups of insulated conductors, or coaxial members are optional unless the covering is required in order for the construction to comply with a flame rating or use rating.

8.1 revised October 15, 2001

8.2 An overall braid may be of a close weave covering the insulation, shield, or other nonmetallic braid. The braid shall extend for the entire length of the finished wire and shall be consistent throughout its entire length. Each end shall consist of the same kind, size, and ply of yarn. The number of picks per inch or the number of picks per centimeter is not specified. A glass braid shall be lacquered or otherwise treated to prevent fraying. The temperature rating of the finished wire using a braid shall not exceed the temperature limit of the yarn specified in Table 8.1.

Table 8.1
Yarn material and temperature limits

Table 8.1 revised October 1, 2002

Yarn type	Maximum temperature rating of wire, °C (°F)
Glass, aramid paper	450 (842)
Polyaramid fibers	250 (482)
Polyester	200 (392)
Polyethylene terephthalate	125 (257)
Acrylic or nylon	105 (221)
Cotton or rayon in any form; or cotton in any combination with glass, polyester, acrylic, or nylon; or rayon in any combination with glass, polyester, acrylic, or nylon.	90 (194)

8.3 The term "close weave" specified in 8.2 means that the braid is required to completely cover the material directly beneath the braid.

9 Fillers

Effective date for 9 changed from July 14, 2005 to January 30, 2001

9.1 The use of nonconductive, nonmetallic fillers in a cable is not required. Fillers may be integral with or separate from any binder jacket or overall cable jacket. When fillers are integral with a jacket, the underlying cable assembly shall be readily separable from the filler.

No Text on This Page

10 Binders

Effective date for 10 changed from July 14, 2005 to January 30, 2001

10.1 The entire cable assembly, or any group of conductors (including optical-fiber members), or several such groups within the cable may be enclosed in a binder consisting of a shield, a braid, a tape, or other unspecified means.

11 Shield(s)

Effective date for 11 changed from July 14, 2005 to January 30, 2001

11.1 A shield is not required; however, its use over an individual conductor, over one or several groups of conductors with or without one or more optical-fiber members in each group, or over the entire cable assembly, is not prohibited. Several shields are not prohibited from being used in a given cable.

11.2 A shield may consist of a wire braid, wrap, serving, or metal tape.

11.3 A metal tape shall be applied helically or longitudinally with or without a drain wire.

11.4 A shield consisting of a metal faced paper or polyester tape shall be applied helically or longitudinally with or without a drain wire.

11.5 A shield consisting of a conductive polymeric layer shall be black in color and have a volume resistivity not exceeding 50,000 ohm-centimeters at the rated temperature of the insulation and shall be provided with a drain wire or other means for termination. Wires or cables using conductive polymeric shields shall be marked in accordance with 46.3 and 47.2(l).

11.6 The details of the construction of a shield and the manner of its application are not specified. There are no requirements for the electromagnetic performance of a shield.

11.7 A shield consisting of a wrap, serving, or tape shall not be the outermost covering on a wire unless the wire is intended for Use Rating F. Wires using such a shield shall have an overall jacket or covering. A shield consisting of a wire braid or a conductive extrusion is not required to be covered.

12 Cable Assembly

Effective date for 12 changed from July 14, 2005 to January 30, 2001

12.1 Except for cables marked "VM," all of the circuit conductors and insulated grounding conductors shall have the same voltage rating.

12.2 Insulated conductors with different temperature ratings that are mixed in a given cable complies with the intent of this requirement when the cable is rated for the lowest temperature rating of any of the constituent insulated conductors. The insulated conductors shall not be marked with a temperature rating that is higher than that of the finished cable.

12.3 In a given cable, all of the power conductors shall be of the same metal. Cables may contain conductors of different sizes and may contain precabled groups of conductors as described in 12.5.

12.4 In a cable with two conductors, the conductors and any grounding conductor may be either cabled (round) or laid parallel (flat cable).

12.5 The circuit conductors in a round cable shall be cabled with a length of lay that is uniform throughout the length of the cable. Grouping of the circuit conductors into pairs, triads, quads, and other precabled subassemblies is not required. The direction of lay may be changed throughout the length of the cable. The intervals are not required to be uniform. In a cable in which the lay is reversed:

- a) Each area in which the lay is right- or left-hand for several (typically 10) complete twists (full 360-degree cycles) shall have the insulated conductors or precabled groups of insulated conductors cabled with a length of lay that is not greater than indicated in Table 12.1 and
- b) The length of each lay – transition zone (oscillated section) between these areas of right- and left-hand shall not exceed 1.8 times the maximum length of lay indicated in Table 12.1. When the direction of lay is not reversed in a cable containing layers of conductors or groups, the direction of lay of successive layers is not specified. (A left-hand is defined as a counterclockwise twist away from the observer).

Table 12.1
Length of lay of insulated conductors and precabled groups for cables rated greater than 30 volts

Number of insulated conductors in cable	Maximum length of lay of insulated conductors and precabled groups ^a
2	30 times the finished insulated conductor diameter ^b
3	35 times the finished insulated conductor diameter ^b
4	40 times the finished insulated conductor diameter ^b
5 or more	15 times the calculated diameter of the overall assembly. In a multiple-layer cable, the length of lay of the conductors in each of the inner layers of the cable is not specified.
NOTE – Length of lay of insulated conductors in cables rated 30 volts is not specified.	
^a The length of lay of each conductor in a group shall comply with the same values as those that are required for a cable. The length of lay of each group in a cable shall comply with the same values as those that are required for a conductor.	
^b Conductor diameter is the measured diameter of the largest individual finished conductor in the cable.	

13 Overall Jacket

Effective date for 13 changed from July 14, 2005 to January 30, 2001

13.1 General

13.1.1 A protective jacket is not required for internal use (Use Rating I) cables. When used, the jacket shall be of an integral or nonintegral construction. The jacket material shall be in accordance with Tables 7.1 and 7.2, or any of the materials described in Specific Materials, Section 50 of UL 1581. The jacket thickness is not specified, however, it must comply with the tests outlined in these requirements.

13.2 relocated as 13.1.1 October 15, 2001

13.1.2 A protective jacket is required for external use (Use Rating II) cables. The jacket shall be of an integral or nonintegral construction. The jacket material shall be in accordance with Tables 7.1 and 7.2, or any of the materials described in Specific Materials, Section 50 of UL 1581. The jacket thickness shall comply with Tables 13.1 – 13.3, and the cable shall comply with the requirements of the Cable Flame Test, Section 40.

13.1.2 revised August 27, 2002

13.2 Materials

13.2.1 An overall jacket shall use one of the jacket materials indicated in Tables 7.1 and 7.2, or any of the jacket materials described in Specific Materials, Section 50 of UL 1581. Other materials shall be evaluated in accordance with Long Term Aging, Section 481 of UL 1581. An overall jacket shall be applied directly over the cable assembly.

13.1 relocated as 13.2.1 October 15, 2001

13.3 Thickness

13.3.1 Measurements from which the average thickness is to be determined shall be made in accordance with Thicknesses of Jackets on Thermoplastic- and Thermoset-Insulated Wires and Cable, Section 260 of UL 1581.

13.3.1 added October 15, 2001

13.3.2 In some cases, the use of a jacket that is other than indicated in Tables 13.1 – 13.3 is required to enable the cable to comply with any applicable flame or other test described in these requirements. In this case, the minimum thickness at any point of the heavier jacket shall not be less than 80 percent of the average thickness of the heavier jacket. Crush, impact, abrasion, and other tests may be necessary to evaluate jackets thinner than indicated in Tables 13.1 – 13.3.

13.4 relocated as 13.3.2 October 15, 2001

13.4 Relocated as 13.3.2 October 15, 2001

No Text on This Page

Table 13.1
Thickness^a of nonintegral, non-fluoropolymer jackets for external use (Rating II) AWM cables

		Calculated diameter of round assembly under jacket or calculated equivalent diameter ^b of flat assembly under jacket				
		0 – 0.400 inch	0.401 – 0.700 inch	0.701 – 1.00 inch	1.01 – 1.500 inches	1.501 – 2.500 inches
		(0 – 10.16 mm)	(10.17 – 17.78 mm)	(17.79 – 25.40 mm)	(25.41 – 38.10 mm)	(38.11 – 63.50 mm)
Less than 125 volt cable with non-fluoropolymer jacket	Minimum average thickness of jacket	0.024 inch (0.61 mm)	0.030 inch (0.76 mm)	0.045 inch (1.14 mm)		N/A
	Minimum thickness at any point	0.020 inch (0.51 mm)	0.024 inch (0.61 mm)	0.036 inch (0.91 mm)		N/A
Class 2 cable with non-fluoropolymer jacket	Minimum average thickness of jacket	0.005 inch (0.13 mm)	0.005 inch (0.13 mm)	0.010 inch (0.25 mm)		N/A
	Minimum thickness at any point	0.004 inch (0.01 mm)	0.004 inch (0.01 mm)	0.008 inch (0.02 mm)		N/A
125 and higher volt cable with non-fluoropolymer jacket	Minimum average thickness of jacket	0.030 inch (0.76 mm)		0.045 inch (1.14 mm)	0.060 inch (1.52 mm)	0.080 inch (2.03 mm)
	Minimum thickness at any point	0.024 inch (0.61 mm)		0.036 inch (0.91 mm)	0.048 inch (1.22 mm)	0.064 inch (1.63 mm)

^a A thicker jacket is not prohibited from being used to enable the cable to comply with one or more tests covered in this Standard.
^b The equivalent diameter of a flat assembly is to be calculated as $1.1284 \times (TW)^{1/2}$ in which T is the thickness of the assembly under the jacket and W is the width of the assembly under the jacket.

Table 13.2
Thickness^a of nonintegral, fluoropolymer jackets for external use (Use Rating II) AWM cables

		Calculated diameter of round assembly under jacket or calculated equivalent diameter ^b of flat assembly under jacket					
		0 – 0.250 inch	0.251 – 0.350 inch	0.351 – 0.500 inch	0.501 – 0.700 inch	0.701 – 1.500 inches	1.501 – 2.500 inches
		(0 – 6.36 mm)	(6.37 – 8.91 mm)	(8.92 – 12.72 mm)	(12.73 – 17.80 mm)	(17.81 – 38.10 mm)	(38.11 – 63.50 mm)
30 – 600 volt cables with fluoropolymer jacket	Minimum average thickness of jacket	0.008 inch (0.20 mm)	0.010 inch (0.25 mm)	0.013 inch (0.33 mm)	0.015 inch (0.38 mm)	0.020 inch (0.51 mm)	N/A
	Minimum thickness at any point	0.006 inch (0.46 mm)	0.008 inch (0.20 mm)	0.010 inch (0.25 mm)	0.012 inch (0.30 mm)	0.016 inch (0.41 mm)	N/A

^a A thicker jacket is not prohibited from being used to enable the cable to comply with one or more tests covered in this Standard.
^b The equivalent diameter of a flat assembly is to be calculated as $1.1284 \times (TW)^{1/2}$ in which T is the thickness of the assembly under the jacket and W is the width of the assembly under the jacket.

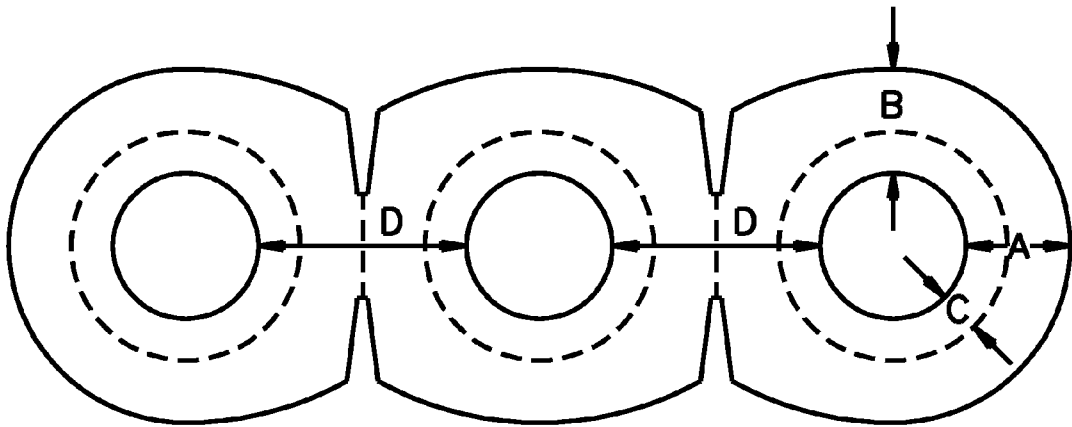
Table 13.3
Thickness of integral insulation (solid) and jacket on 2-, 3-, or 4-conductor flat, parallel cable and distance between conductors for cables rated 125 – 600 volts, or less than 125 volts

Table 13.3 revised October 15, 2001

Cable types and sizes	Nominal thickness away from tear area(s) (vertical dashed line through web or webs in Figure 13.1) and outside point P or X (defined in Figures 13.2 and 13.3)		Minimum thickness at any point before separation measured outside point P or X (defined in Figures 13.2 and 13.3)		Minimum thickness at any point after separation		Minimum distance between copper conductors	
	(Information only - not a requirement), A ^a ,		B ^a ,		C ^a ,		D ^a ,	
	inch	(mm)	inch	(mm)	inch	(mm)	inch	(mm)
Nos. 22 – 12 AWG rated 125 – 600 volts	0.030	0.76	0.027	0.69	0.013	0.33	0.047	1.19
Nos. 24 – 12 AWG rated less than 125 volts	0.020	0.51	0.018	0.46	0.010	0.25	0.030	0.76

^a Dimensions A – D are illustrated in Figure 13.1.

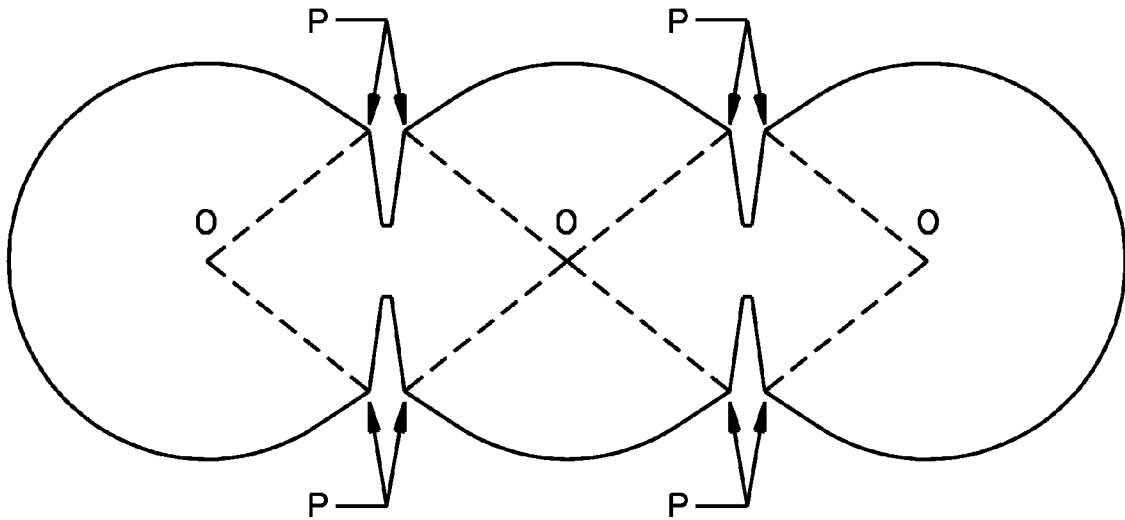
Figure 13.1
Integral flat cable



SB0636-2

NOTE - See Table 13.3 for dimensions A - D

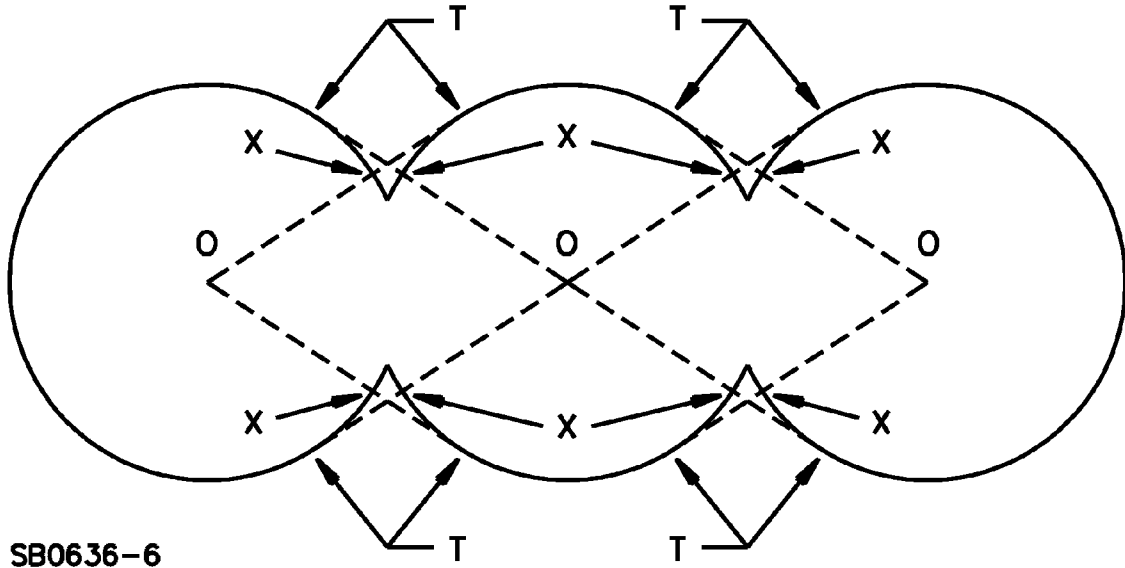
Figure 13.2
Definitions of regions of valley slopes in integral flat cables



SB0636-5

NOTE - Constructions with a cross section having a definite point P at the outer end of each valley slope OP in each case is a straight line from the center O of a conductor to P on the same segment of the cross section. Thickness measurements are not to be made on any valley slope.

Figure 13.3
Definition of regions of valley slopes in integral flat cables, without definite points



NOTE – Constructions with a cross section not having a definite point to mark the outer end of each valley slope OT in each case is a straight line from the center O of a conductor to T, the point of tangency, on the adjacent segment of the cross section. Thickness measurements are not to be made deeper on a valley slope than point X, which is the intersection of the line OT with the valley slope. Thickness measurements are to be made on each slope segment TX.

PERFORMANCE

TESTS FOR THERMAL AND CHEMICAL PROPERTIES

14 Physical Properties of Insulation and Jacket, Unaged and Air Oven Aged

Effective date for 14 changed from July 14, 2005 to January 30, 2001

14.1 Except for foamed and foamed/skin insulations, the physical properties (tensile strength and elongation) of both unaged and oven aged specimens of insulation, covering, and jacket shall be in accordance with Tables 7.1 and 7.2, or any of the materials described in Specific Materials, Section 50 of UL 1581. Foamed and foamed/skin insulations are to be evaluated in accordance with the Flexibility Test After Air Oven Conditioning, Section 20. For materials with a temperature rating other than that specified in Table 7.2 or for those materials not described in Section 50 of UL 1581, the aging conditions in Table 14.1 are to be used for short term testing and the requirements in Long-Term Aging, Section 481 of UL 1581 shall be applied.

14.1 revised August 27, 2002

Table 14.1
Aging conditions for insulation and jackets

Table 7.3 revised and relocated as Table 14.1 October 15, 2001

Dry temperature rating, °C (°F)		Air oven conditioning		
		Oven temperature, °C ±2 (°F ±3)		Time, days
60	140	100	212	7
75	167	100	212	10
80	176	113	235	7
90	194	121	250	7
105	221	136	277	7
125	257	158	316	7
150	302	180	356	7
180	356	213	415	7
200	392	232	450	7
250	482	287	549	7

NOTE –
For temperatures greater than 250°C (482°F), the following formula shall be used to calculate the 7-day aging temperature:
$$T_c = 1.02 (T_r + 296) - 273$$

in which:
 T_c is the conditioning temperature in °C and
 T_r is the rated temperature in °C

14.2 Specimens are to be tested in both unaged and air oven aged conditions. Tables 7.1 and 7.2, the tables in Specific Materials, Section 50, or Long-Term Aging, Section 481 of UL 1581 provide air oven conditioning requirements.

14.3 After air oven conditioning, specimens are to be cooled to room temperature in still air for a period of 16 – 96 hours before testing. After the cooling period, samples of both the unaged and oven conditioned samples are to be tested. Maximum tensile strength and maximum elongation values are to be recorded separately for unaged specimens and oven aged specimens.

14.4 The average of the maximum tensile strength and maximum elongation values are to be calculated and recorded separately for unaged specimens and oven aged specimens.

15 Physical Properties of Insulation and Jacket, Oil Immersion Aging

15.1 Specimens of oil resistant insulation and jacket are to be conditioned in accordance with 480.6 and 480.7 of Accelerated Aging, Section 480 of UL 1581 and Table 15.1.

Exception No. 1: Specimens of finished wire in 7 AWG and smaller sizes are to be bent at the center to form a narrow "U" and are then to be suspended vertically in the oil with the end of each specimen projecting above the oil. Jacket specimens are to be die-cut and immersed in a similar fashion.

Exception No. 2: Nylon-jacketed wires are to be immersed with the nylon in place and then are to be tested for tensile and elongation with the nylon removed.

Table 15.1
Physical properties, oil aged, of insulation and jacket

Table 15.1 revised August 27, 2002

Polymer designation	Oil temperature rating, °C (°F)	Physical properties, oil aged			
		Oil conditioning		Minimum percent of unaged values	
		Oil temperature, °C ±2 (°F ±3)	Time, hours	Elongation, percent	Tensile strength, percent
CR – polychloroprene (neoprene)	60 (140)	121 (250)	18	60	60
CP – chlorosulfonated polyethylene	60 (140)	121 (250)	18	60	60
CPE – chlorinated polyethylene	60 (140)	121 (250)	18	60	60
NBR/PVC – acrylonitrile butadiene rubber/ polyvinyl chloride	60 (140)	121 (250)	18	60	60
PVC – polyvinyl chloride	60 (140)	100 (212)	96	50	50
	75 (167)	75 (167)	1440	65	65
	80 (176)	80 (176)	1440	65	65
TPE – thermoplastic elastomer	60 (140)	60 (140)	168	75	75
XL – cross-linked thermosets	60 (140)	100 (212)	96	50	50
All other thermoplastics	60 (140)	100 (212)	96	50	50
	80 (176)	80 (176)	1440	65	65
All other thermosets	60 (140)	100 (212)	96	50	50

Table 15.1 Continued on Next Page

Table 15.1 Continued

Polymer designation	Oil temperature rating, °C (°F)	Physical properties, oil aged			
		Oil conditioning		Minimum percent of unaged values	
		Oil temperature, °C ±2 (°F ±3)	Time, hours	Elongation, percent	Tensile strength, percent
	80 (176)	80 (176)	1440	65	65

15.2 Specimens of oil resistant insulation or jacket shall comply with the requirements in Table 15.1 after oil immersion.

16 Physical Properties of Gasoline Resistant Insulation and Jacket

16.1 Specimens of gasoline resistant insulation and jacket are to be conditioned in a mixture of 17 percent water and 83 percent ASTM fuel C for 30 days at $23 \pm 1^\circ\text{C}$ ($73.4 \pm 1.8^\circ\text{F}$) in accordance with 480.9 of Accelerated Aging, Section 480 of UL 1581.

16.2 Specimens of gasoline resistant insulation and jacket shall have tensile and elongation values greater than or equal to 80 percent of unaged specimens after gasoline conditioning.

17 Physical Properties of Insulation and Jacket, Sunlight Resistance

Effective date for 17 changed from July 14, 2005 to January 30, 2001

17.1 Specimens of sunlight resistant rating insulation and jacket are to be conditioned for 720 hours in a carbon-arc or xenon-arc weatherometer and evaluated in accordance with Carbon-Arc and Xenon-Arc Tests, Section 1200 of UL 1581.

17.2 Specimens of sunlight resistant insulation and jacket shall have tensile and elongation values greater than or equal to 80 percent of unaged specimens after weatherometer conditioning.

17.3 The "SUN RES" rating applies to the complete finished wire cable. Insulated conductors in a finished cable rated "SUN RES" are not evaluated for the "SUN RES" rating unless specifically noted on the shipping tag.

18 Conductor Corrosion Test

Effective date for 18 changed from July 14, 2005 to January 30, 2001

18.1 Only bare copper conductors without a metal coating are required to be tested. A specimen of an insulated conductor is to be tested in accordance with Conductor Corrosion, Section 500 of UL 1581. The specimen is to be conditioned with the conductor in place, in an air oven for the same time and temperature as described in the physical properties requirements for the specific material and its associated temperature rating in Physical Properties of Insulation and Jacket, Unaged and Air Oven Aged, Section 14. When the material is not specified, aging in accordance with Table 14.1 is to be used. Insulated conductors in a jacketed cable are to be removed and tested independently of the finished cable.

18.1 revised October 15, 2001

18.2 After air oven conditioning, the test specimen is to be cooled to room temperature. Once at room temperature, the insulation is to be removed from the bare copper conductor of the specimen. The conductor is to be examined visually for evidence of corrosion. The visual examination of the conductor is to be made without use of any equipment other than the examiner's normal corrective lenses, when required.

18.3 A specimen not showing any evidence of pitting nor corrosion compounds in a close visual examination with normal or corrected vision without magnification is determined to be in compliance. Normal discoloration not induced by the insulation is to be disregarded.

18.4 Specimens of wire that do not comply with the conductor corrosion test are required to use tinning or other protective metal coating.

19 Deformation Test (Thermoplastics and Class XL Only)

19.1 Only thermoplastic elastomer (TPE), thermoplastics (except for fluoropolymers), and XL materials are required to be tested. A specimen of finished wire is to be tested in accordance with Deformation, Section 560 of UL 1581, and Table 19.1 for the specific construction, wire size, material, and the specimen's associated temperature rating. Insulated conductors as well as the jacket of a jacketed cable are to be tested. Laminated constructions are to be tested in the same manner as jackets. Bonded constructions are to be separated and tested in the same manner as insulation.

19.1 revised August 27, 2002

Table 19.1
Load, temperature, and decrease in thickness for deformation test

Table 19.1 revised August 27, 2002

Solid material	Sample	Size of conductor, AWG	Load		Test temperature, °C (°F)	Maximum decrease in thickness, percent
			gf	N		
HDFRPE, LDFRPE, LDPE, HDPE, PP	Insulation	30 – 21 20 – 12	250 400 ^a	2.45 3.92 ^a	100.0 ±1.0 (212.0 ±1.8)	50
	Any separable jacket	–	2000 ^b	19.61 ^b	100.0 ±1.0 (212.0 ±1.8)	50
PVC, SRPVC, PU, TPES	Insulation or integral insulation and jacket	30 – 21 20 – 12 10 – 7 6 – 1 1/0 – 4/0	250 400 ^a 500 1600 2000	2.45 3.93 ^a 4.90 9.80 19.61	121.0 ±1.0 (249.8 ±1.8)	50
	Any separable jacket	–	2000 ^b	19.61 ^b	121.0 ±1.0 (249.8 ±1.8)	50
TPE	Insulation	30 – 21 20 – 12	250 400 ^a	2.45 3.92 ^a	150.0 ±1.0 (302.0 ±1.8)	50
	Any separable jacket	–	2000 ^b	19.61 ^b	150.0 ±1.0 (302.0 ±1.8)	50

Table 19.1 Continued on Next Page

Table 19.1 Continued

Solid material	Sample	Size of conductor, AWG	Load		Test temperature, °C (°F)	Maximum decrease in thickness, percent
			gf	N		
XLPO XL	Insulation or integral insulation and jacket	30 – 21	250	2.45	121.0 ±1.0 (249.8 ±1.8)	50
		20 – 12	400 ^a	3.92 ^a		
		10 – 7	500	4.90		
		6 – 1	1600	9.30		
		1/0 – 4/0	2000	19.61		
	Any separable jacket	–	2000 ^b	19.61 ^b	121.0 ±1.0 (249.8 ±1.8)	50

^a For wall thickness less than 30 mils, test at 250 gf (2.45 N).

^b A jacket is to be tested in tubular form when it is too small in diameter to yield flat specimens having a width equal to or exceeding the diameter of the presser foot. In this case, a solid conductor or solid steel rod having a diameter that is neither too loose nor tight in the jacket is to be inserted into the jacket. The load applied shall be identical to the load assigned to the conductor size (AWG) specified in this table.

20 Flexibility Test After Air Oven Conditioning

Effective date for 20 changed from July 14, 2005 to January 30, 2001

20.1 A specimen is to be conditioned in an air oven for the same time and temperature as described in the physical properties requirements for the specific material and its associated temperature rating.

20.1 revised October 15, 2001

20.2 After air oven conditioning, specimens are to be cooled to room temperature in still air for a period of 16 – 96 hours.

20.3 Specimens of round wire or cable are to be wound for six adjacent times onto a mandrel having a diameter twice the diameter of the finished wire or cable. Flat cables are to be wrapped in a U-bend in which the specimen is in contact with a mandrel having a diameter of twice the minor axis diameter of the specimen for minimum 180 degrees.

20.4 Specimens are then to be visually examined for cracking on the outer surface. The visual examination is to be made without magnification. Upon examination, the specimens are not to show evidence of cracking.

21 Heat Shock Test (Thermoplastic Materials Only)

Effective date for 21 changed from July 14, 2005 to January 30, 2001

21.1 A specimen is to be wound as described in 20.3 onto a mandrel having a diameter twice the diameter of the finished wire or cable. Flat cables are to be wrapped in a U-bend in which the specimen is in contact with a mandrel having a diameter of twice the minor axis diameter of the specimen for minimum 180 degrees. The samples are held in position by heat resistant tape or some other effective means and then conditioned in a circulating air oven for 1 hour at the temperature specified in Table 21.1 with respect to the specific material and its associated temperature rating. Insulated conductors as well as finished jacket cables are to be tested separately. Only thermoplastic materials are required to be tested.

Table 21.1
Air temperature for heat-shock test

Material	Temperature rating of wire, °C (°F)	Air oven temperature, ±1.0°C (±1.8°F)
PE (polyethylene)	60 (140), 75 (167), and 80 (176)	100.0 (212.0)
TPE (thermoplastic elastomer)	90 (194) and 105 (221)	150.0 (302.0)
All other materials	60 (140), 75 (167), 80 (176), and 90 (194)	121.0 (249.8)
	105 (221)	136.0 (276.8)
	125 (257)	158.0 (316.4)
	150 (302)	180.0 (356.0)
	200 (392)	232.0 (482.0)
	250 (482)	280.0 (536.0)

21.2 Specimens after air oven conditioning are to be cooled to room temperature in still air for a period of 30 minutes or longer. The insulation, jacket, or both are then to be visually examined for cracking either on the surface or internally.

21.3 Upon visual examination, the insulation, jacket, or both, shall not show cracks either on the surface or internally.

22 Cold Bend Test

Effective date for 22 changed from July 14, 2005 to January 30, 2001

22.1 A specimen of finished wire or cable and a mandrel having a diameter twice the diameter of the finished wire or cable are to be conditioned in a cold chamber for 4 hours at minus $10 \pm 2^{\circ}\text{C}$ ($14 \pm 3.6^{\circ}\text{F}$) in accordance with Cold Bend, Section 580 of UL 1581. Flat cables are to be wrapped in a U-bend in which the specimen is in contact with a mandrel having a diameter of twice the minor axis diameter of the specimen for minimum 180 degrees. Insulated conductors as well as the finished cable are to be tested separately.

22.2 After cold chamber conditioning, specimens are to be wound around the mandrel at a uniform rate of 3 seconds per turn. The number of turns around the mandrel shall be in accordance with Table 22.1. Flat cables are to be wrapped in a U-bend in which the specimen is in contact with a mandrel having a diameter of twice the minor axis diameter of the specimen for a minimum of 180 degrees.

Table 22.1
Cold bend test specifications

Overall diameter of wire or cable	Number of turns of specimen around mandrel
Less than or equal to 0.625 inch (16 mm)	6 adjacent turns, tightly around mandrel
Greater than 0.625 inch (16 mm), flat cables	U-bend, in which specimen is in contact with mandrel for a minimum of 180 degrees

22.3 Specimens are to then be examined for cracking on the outer surface. Specimens shall not show evidence of cracking.

23 Delamination Test

Effective date for 23 changed from July 14, 2005 to January 30, 2001

23.1 One 12-inch specimen of laminated flat cable in any color and thickness of insulation is to be used for this test. The specimens are to be aged in an air oven for the same time and temperature as described in Physical Properties of Insulation and Jacket, Unaged and Air Oven Aged, Section 14. After the conditioning, unaged and aged samples are to be held for two weeks in air at 32°C (80°F) and 85 percent relative humidity. After two weeks, the specimens are to be examined for delamination.

23.1 revised October 15, 2001

24 Shrinkback Test – Special Rating TV Wires Only

Effective date for 24 changed from July 14, 2005 to January 30, 2001

24.1 A specimen of finished high-voltage DC rated TV use wire is to be tested in accordance with the method described in 24.2 – 24.5. Finished insulated conductors composed of multiple layers of insulation are to be tested only as a finished cable.

24.2 A 12-inch (305-mm) length specimen of the finished wire is to be cut so that the insulation and conductor are flush at both ends.

24.3 The specimen is to then be straightened by hand and placed on felt bed or a layer of preheated talc or glass beads in a circulating air oven for a period of 18 hours at the temperature specified in Table 24.1.

Table 24.1
Shrinkback test conditioning temperatures

Temperature rating of wire, °C (°F)	Oven conditioning temperature, ±2°C (±3°F)
60 (140), 75 (167), 80 (176), and 90 (194)	121 (250) ^a
105 (221)	136 (277)
125 (257)	158 (317)
150 (302)	180 (356)
200 (392)	250 (482)
250 (482)	300 (572)

^a Test temperatures for LDPE, HDPE, FRLDPE, and FRHDPE rated 60, 75, and 80°C are to be 100 ±2°C (212 ±3°F)

24.4 At the end of the conditioning period, the specimen is to be removed from the oven and felt bed or a layer of talc or glass beads and cooled to room temperature for 1 hour. When insulation shrinkage occurs, the conductor is exposed on one or both ends of the specimen. The insulation shrinkback, as indicated by the length of the exposed conductor, is to be measured with a caliper or scale and recorded.

24.5 Insulation shrinkback at either end of the specimen shall not be greater than 0.12 inch (3.0 mm).

25 Ozone Resistance Test – Special Rating TV Use Wires Only

Effective date for 25 changed from July 14, 2005 to January 30, 2001

25.1 A specimen of finished high-voltage DC rated TV use wire is to be tested in accordance with the method described in 25.2 – 25.8. Finished insulated conductors composed of multiple layers of insulation are to be tested only as a finished cable.

25.2 Two appropriate lengths of the test specimen, 4 – 8 inches (102 – 203 mm), are to be tested.

25.3 The test apparatus is to consist of a device for generating a controlled amount of ozone with a means of circulating ozonized air under controlled conditions of temperature and humidity through a chamber containing the test specimens and a mandrel. A means for determining the percentage ozone concentration, temperature and humidity shall be provided. See the Standard Test Method for Crosslinked Insulations and Jackets for Wire and Cable, ASTM D470, for specific information concerning the test apparatus.

No Text on This Page

25.4 Each specimen is to be wrapped a single turn around a mandrel having a diameter as indicated in Table 25.1. At the point where the test specimen crosses over itself, tape or twine is to be used to bind the specimen in place around the mandrel. One specimen is to be wrapped around the mandrel in a plane of existing curvature of the specimen. The second specimen is to be wrapped around the mandrel opposite to the plane of existing curvature of the specimen.

Table 25.1
Ozone resistance test mandrel sizes

Outside diameter of wire	Mandrel diameter
0 – 0.500 inch (0 – 12.70 mm)	4 x cable outside diameter
0.501 – 0.750 inch (12.71 – 19.10 mm)	5 x cable outside diameter
0.751 – 1.250 inches (19.11 – 32.00 mm)	6 x cable outside diameter
1.251 – 1.750 inches (32.01 – 44.50 mm)	8 x cable outside diameter
1.751 inches and larger (44.51 mm and larger)	10 x cable outside diameter

25.5 Once the specimens are secured to the mandrel, the surface of each specimen is to be wiped with a clean cloth to remove dirt, sweat, or oil. The specimens secured to the mandrel are to then be placed in a desiccator for 30 – 45 minutes to remove surface moisture.

25.6 Immediately after removing the specimens from the desiccator, the specimens secured to the mandrel are to be placed in the ozone chamber with an ozone concentration of 0.0010 – 0.0015 percent and a temperature of $25 \pm 0.2^\circ\text{C}$ ($77 \pm 0.36^\circ\text{F}$) for a period of 3 hours. Care is to be taken not to touch the specimen during the transfer to the ozone chamber.

25.7 At the end of the conditioning period, the specimen and mandrel are to be removed from the ozone chamber. With the specimens remaining secured to the mandrel, the specimens are to be examined for cracks at the bent portion. Any cracks or other damage in the bent portion of the specimen are to be recorded. The visual examination is to be made without use of any equipment other than the examiners normal corrective lenses, when required.

25.8 Compliance is determined by examination and the insulation shall show no cracking or surface checking at the bent portion of the specimen. Areas of the sample outside of the 180-degree area of bend are to be ignored.

TESTS FOR MECHANICAL PROPERTIES

26 Crush Resistance Test (Mechanical Abuse Rating B)

Effective date for 26 changed from July 14, 2005 to January 30, 2001

26.1 All conductors with a mechanical abuse rating B must either comply with:

- a) The requirements in Tables 7.4, 7.5, or 7.6 or
- b) The crush test described in this section.

26.2 Five specimens of finished 20 – 14 AWG wire are to be tested in accordance with the method described below. Insulated conductors or the insulated conductors from a jacketed cable are to be tested. In the case of a jacketed cable, the insulated conductors are to be removed and tested independently of the jacket. Testing of an insulated single with a solid conductor represents identical constructions using a stranded conductor.

26.2 revised October 15, 2001

26.3 The insulated conductors are to be individually straightened with the fingers after all coverings other than a skin have been removed. Specimens 7 inches (180 mm) long are to be cut from the straight insulated specimens. Each of the five specimens is to be tested separately by being crushed twice between 2-inch (50-mm) wide flat, horizontal steel plates in a compression machine whose jaws close at a rate of 0.2 ± 0.02 in/min (5.0 ± 0.5 mm/min). The edges of the plates are not to be sharp. The length of each specimen is to be parallel to the 2-inch dimension of the plates, 1 inch (25 mm) of the specimen is to extend the plates at one end of the specimen and 4 inches (100 mm) of the specimen is to extend outside the plates at the other end.

26.4 The plates are to be electrically connected together, to the metal of the testing machine and to earth ground. The specimens, apparatus and the surrounding air are to be in thermal equilibrium with one another at a temperature of $24 \pm 8.0^\circ\text{C}$ ($75 \pm 14.4^\circ\text{F}$) throughout the test. The machine is to be started and the specimen is to be subjected to the increasing force of the plates moving towards one another until a short occurs between the conductor in the specimen and one or both of the earth grounded plates. The maximum force exerted on the specimen before the short circuit occurs is to be recorded as the crushing force for that end of the specimen.

26.5 After the short circuit occurs, the machine is to be reversed and the plates separated. The specimen is to be turned end for end, rotated 90 degrees, reinserted between the plates from the end opposite the one originally inserted and crushed. The two crushing forces are to be averaged for each specimen. The average of all ten of the crushing forces obtained for the five specimens is compared to the values in Table 26.1.

Table 26.1
Crush test requirements

Table 26.1 revised October 15, 2001

Voltage rating of wire	Minimum average crush force
30 – 90 Volts	300 lbf (1334 N or 136 kgf)
125 – 300 Volts	600 lbf (2668 N or 272 kgf)
600 Volts or greater	1000 lbf (4446 N or 453 kgf)

26.6 Specimens shall exhibit average crush values in accordance with Table 26.1.

26.7 Mechanical abuse Rating B applies to the insulated conductor complying with the requirements or the complete finished jacketed cable using insulated conductors that comply with the requirements. In the case of a jacketed cable, only the insulated conductors are evaluated to qualify the complete finished cable for the mechanical abuse Rating B. All insulated conductors used in jacketed cables with the mechanical abuse Rating B must comply with the requirements of the test described in this section.

TESTS FOR ELECTRICAL PROPERTIES

27 Conductor Resistance Test

Effective date for 27 changed from July 14, 2005 to January 30, 2001

27.1 Deleted October 15, 2001

27.2 Revised and relocated as 5.6.1.1 October 15, 2001

Table 27.1
Maximum D-C resistance

Table 27.1 relocated as Table 5.2.1 October 15, 2001

28 Dielectric Test, Method I

Effective date for 28 changed from July 14, 2005 to January 30, 2001

28.1 Specimens of finished wire are to be tested in accordance with the method described in 28.2 – 28.9. Insulated conductors, insulated flat cables or the insulated conductors of a jacketed cable are to be tested. In the case of a jacketed cable, the insulated conductors are to be removed and tested independently of the jacketed cable.

28.2 Six lengths of insulated wire or insulated conductors removed from a jacketed cable are to be tested for each specimen of wire to be evaluated. Each sample is to measure 24 inches (610 mm) in length. Three of the samples are to be tested in an unaged condition. The other three samples are to be tested after air oven conditioning.

28.3 The three straight samples intended for oven aging are to be conditioned in a circulating air oven for the same time and temperature as specified in tests for Physical Properties of Insulation and Jacket, Unaged and Air Oven Aged, Section 14.

28.4 After air oven conditioning, the three specimens are to be cooled to room temperature in still air for a period of 16 – 96 hours before testing. After the cooling period, both the unaged and oven conditioned samples are to be tested. The center 12 inches (305 mm) of each sample is to be wrapped with metal foil.

28.5 Except for flat cables, the foil-wrapped center section of each sample is to then be wrapped closely for six complete turns around a metal mandrel having a diameter of two times the outside diameter of the specimen or 0.19 inch (5 mm), whichever is larger. The end of each resulting helix is to be twisted loosely together or fastened together with tape to prevent unwinding. Specimens of flat cables are to be wrapped in a U-bend in which the specimen is in contact with a mandrel having a diameter of twice the minor axis diameter of the specimen for 180 degrees minimum.

28.6 The dielectric tester is to supply a 50 or 60 Hz continuously variable output from zero to at least five times the voltage rating of the wire specimen being tested. With a specimen in the circuit, the output potential is to have a crest factor (peak voltage divided by the rms voltage) equal to 95 – 105 percent of the crest factor of a pure sine wave over the upper half of the output range. The output voltage is to be monitored continuously by a voltmeter whose response time does not introduce a lagging error greater than one percent of full scale at the specified rate of increase in voltage. The overall accuracy shall not introduce an error greater than five percent. The maximum current output of the tester's transformer shall be enough for testing samples to dielectric breakdown without tripping of the circuit breaker by the charging unit.

28.7 One test lead of a dielectric tester is to be connected to the conductor of the test specimen as one electrode and the other connected to the metal mandrel as the other electrode. The voltage is to be increased from zero to the test potential specified in Table 28.1 at a rate not exceeding 500 volts per second. When this level is reached without breakdown, the voltage is to be held constant at this level for 60 seconds.

Table 28.1
Dielectric voltage-withstand test potentials

Table 28.1 revised August 27, 2002

Voltage rating, V AC	Conductor sizes, AWG	Dielectric test potential, V AC
30	All	500
60, 90	All	1000
125, 150	All	1500
250 ^a	All	2000
300 ^a	All	2000
600	2 and smaller	2000
600	1 – 4/0	2500
600	250 – 500 kcmil	3000
600	500 – 1000 kcmil	3500
600	1100 – 2000 kcmil	4000
1000 – 10,000	All	2 times the rated voltage + 1000 V AC or V DC
3 kV DC and higher	All	2 times the rated voltage + 1000 V DC

^a 250 V and 300 V AC wires complying with Table 3.4 are to be tested at 1500 V.

28.8 After 60 seconds at the specified test voltage, the test potential is to be increased at a rate not exceeding 500 volts per second until dielectric breakdown occurs. The dielectric breakdown values are to be recorded separately for unaged specimens and oven aged specimens. The average of the dielectric breakdown values are to be calculated and recorded separately for unaged specimens and oven aged specimens.

28.9 Samples of both unaged and oven aged specimens shall comply with the following:

- a) Unaged and oven aged samples shall withstand the test voltage in Table 28.1 without breakdown for 60 seconds and
- b) The average dielectric breakdown value of oven aged samples shall not be less than 50 percent of the average breakdown value of unaged samples.

29 Dielectric Test, Method II

Effective date for 29 changed from July 14, 2005 to January 30, 2001

29.1 Specimens of finished wire are to be tested in accordance with the method described in 29.2 – 29.7. Insulated conductors, insulated flat cables, or the insulated conductors of a jacketed cable are to be tested. In the case of a jacketed cable, the insulated conductors are to be removed and tested independently of the jacketed cable.

29.2 Six lengths of insulated wire or insulated conductors removed from a jacketed cable are to be tested. Each sample is to measure 24 inches (610 mm) in length. Three of the samples are to be tested in an unaged condition. The remaining three samples are to be tested after air oven conditioning in accordance with Table 7.2, or Specific Materials, Section 50 of UL 1581. Non-extruded insulation is to be subjected to the aging conditions described in Table 14.1.

29.2 revised October 15, 2001

29.3 After air oven conditioning, the three specimens are to be cooled to room temperature in still air for a period of 16 – 96 hours before testing. After the cooling period, both the unaged and oven conditioned samples are to be tested. The center 12 inches (305 mm) section of each sample is to be wrapped with metal foil.

29.4 The unaged and oven conditioned foil wrapped samples are to be placed in an oven for one hour. The temperature of the oven is to be equal to the temperature rating of the specimen being tested.

29.4 revised October 15, 2001

29.5 The dielectric tester is to supply a 50 or 60 Hz continuously variable output from zero to at least five times the voltage rating of the wire specimen being tested. With a specimen in the circuit, the output potential is to have a crest factor (peak voltage divided by the rms voltage) equal to 95 – 105 percent of the crest factor of a pure sine wave over the upper half of the output range. The output voltage is to be monitored continuously by a voltmeter whose response time does not introduce a lagging error greater than one percent of full scale at the specified rate of increase in voltage. The overall accuracy shall not introduce an error greater than five percent. The maximum current output of the tester's transformer is to be enough for testing samples to the specified dielectric withstand value without tripping of the circuit breaker by the charging unit. The test leads of the dielectric tester are to pass through an opening into the circulating air oven or in some other way be connected to the specimen while it is at the specified temperature in the circulating air oven.

29.6 One test lead of the dielectric tester is to be connected to the conductor of the test specimen and the other test lead connected to the foil. While the samples are in the oven at the rated temperature, the voltage is to be increased from zero to the test potential specified in Table 28.1 at a rate not exceeding 500 volts per second. When this level is reached without breakdown, the voltage is to be held constant at this level for 60 seconds and then returned to zero. The rate of decreasing the test voltage is not specified.

29.7 Unaged and oven aged specimens shall withstand the test voltage specified in Table 28.1 without breakdown for 60 seconds.

30 Dielectric Test, Method III

Effective date for 30 changed from July 14, 2005 to January 30, 2001

30.1 Specimens of finished wire are to be tested in accordance with the method described in 30.2 – 30.6. Insulated conductors or the insulated conductors of a jacketed cable are to be tested. In the case of a jacketed cable, the insulated conductors are to be tested prior to application of the jacket or are to be carefully removed and tested independently of the jacketed cable.

30.2 A single specimen 25 feet (7.6 m) in length of insulated wire or insulated conductors removed from a jacketed cable is to be immersed in a tank of tap water at room temperature for 24 hours or longer. The sample is to be immersed in the water tank so that 20 feet (6.1 m) of the sample is immersed leaving a length of 2.5 feet (0.76 m) of the sample out of the water on each end.

30.3 One test lead of the dielectric tester is to be connected to the conductor of the test specimen and the other test lead connected to a metal plate or disc in the water tank. The negative test lead may be connected directly to the water tank when the water tank is metallic.

30.4 The dielectric tester is to supply a test potential that is 50 or 60 Hz, continuously variable output from zero to at least five times the voltage rating of the wire specimen being tested. With a specimen in the circuit, the output potential is to have a crest factor (peak voltage divided by the rms voltage) equal to 95 – 105 percent of the crest factor of a pure sine wave over the upper half of the output range. The output voltage is to be monitored continuously by a voltmeter whose response time does not introduce a lagging error greater than one percent of full scale at the specified rate of increase in voltage. The overall accuracy shall not introduce an error greater than five percent. The maximum current output of the tester's transformer is to be enough for testing samples to the specified dielectric withstand value without tripping of the circuit breaker by the charging unit.

30.5 After a minimum of 24 hours immersion in water, the voltage is to be increased from zero to the test potential specified in Table 28.1 at a rate not exceeding 500 volts per second. When this level is reached without breakdown, the voltage is to be held constant at this level for a period of 60 seconds and then returned to zero. There is no specified rate at which the test voltage is to be decreased.

30.6 The specimen shall withstand the test voltage specified in Table 28.1 without breakdown for 60 seconds.

31 High-Voltage DC Wire Dielectric Voltage-Withstand Test, Method I

Effective date for 31 changed from July 14, 2005 to January 30, 2001

31.1 Specimens of finished high-voltage DC rated wire are to be tested in accordance with the method described in 31.2 – 31.6 before and after conditioning in an air oven for the same time and temperature as described in the physical properties requirements for the specific material and its associated temperature rating. Finished insulated conductors composed of multiple layers of insulation are to be tested only as a finished cable.

31.1 revised October 15, 2001

31.2 A sample of the finished wire 5 feet (1.5 m) in length is to be conditioned in a humidity chamber for 24 hours (6 hours when conducted at the factory) at a minimum temperature of 30°C (86°F) and a relative humidity of at least 80 percent.

31.3 Immediately after removal from the humidity chamber, any surface moisture is to be wiped off carefully with a clean, dry cloth. The wire is to then be wrapped for nine close turns around a metal mandrel with a diameter in accordance with Table 31.1. The end of each resulting helix is to be twisted loosely together or fastened together with tape to prevent unwinding.

Table 31.1
High-voltage DC wire dielectric voltage-withstand test mandrel sizes Methods I and II

Overall diameter of finished wire,		Mandrel diameter,	
inch	(mm)	inch	(mm)
0 – 0.150	0 – 3.81	0.50	12.7
0.151 – 0.200	3.84 – 5.08	0.75	19.1
0.201 or larger	5.11 or larger	1.00	25.4

31.4 The dielectric tester shall supply a DC test potential that is continuously variable with an output from zero to at least the test voltage of the wire specimen being tested. The output voltage is to be monitored continuously by a voltmeter. The overall accuracy shall not introduce an error greater than five percent. The maximum current output of the tester's transformer is to be enough for testing samples to dielectric breakdown without tripping of the circuit breaker by the charging unit.

31.5 One test lead of the dielectric tester is to be connected to the conductor of the test specimen as one electrode and the other connected to the metal mandrel as the other electrode. The voltage is to be increased from zero to two times the DC voltage rating of the specimen at a rate not exceeding 500 volts per second. When this level is reached without breakdown, the voltage is to be held constant at this level for a period of 30 minutes and then returned to zero at the same rate.

31.6 Compliance is determined when specimens withstand the test voltage without breakdown for 30 minutes.

32 High-Voltage DC Wire Dielectric Voltage-Withstand Test, Method II

Effective date for 32 changed from July 14, 2005 to January 30, 2001

32.1 Specimens of finished high-voltage DC use wire are to be tested in accordance with the method described in 32.2 – 32.6. Insulated conductors composed of multiple layers of insulation are to be tested only as a finished cable. Specimens are to be tested in an unaged condition and an air oven aged condition. The oven aged sample are to be conditioned in a circulating air oven for the same time and temperature as in Physical Properties of Insulation and Jacket, Unaged and Air Oven Aged, Section 14.

32.2 One unaged specimen and one oven aged specimen are to be prepared as follows: A specimen 5 feet (1.5 m) in length is to be wrapped for nine close turns around a metal mandrel in accordance with Table 31.1. The ends of the specimen are to be twisted loosely together or fastened together with tape to prevent unwinding.

32.3 The wrapped wire specimens and the metal mandrels are to be placed in a circulating air oven set at a temperature which is identical to the rated temperature of the wire.

32.4 The dielectric tester shall supply a DC test potential that is continuously variable with an output from zero to at least the test voltage of the wire specimen being tested. The output voltage is to be monitored continuously by a voltmeter. The overall accuracy shall not introduce an error greater than five percent. The maximum current output of the tester's transformer is to be enough for testing samples to dielectric breakdown without tripping of the circuit breaker by the charging unit. The test leads of the dielectric tester are to pass through an opening into the circulating air oven or in some way be connected to the specimen while it is at the specified temperature in the circulating air oven.

32.5 With the sample and metal mandrel in the oven, one test lead of the dielectric tester is to be connected to the conductor of the test specimen as one electrode and the other connected to the metal mandrel as the other electrode. The voltage is to be increased from zero to 1.25 times the DC voltage rating of the specimen at a rate not exceeding 500 volts per second. When this level is reached without breakdown, the voltage is to be held constant at this level for a period of seven hours and then returned to zero at the same rate.

32.6 Compliance is determined when unaged and oven aged specimens withstand the test voltage without breakdown for a period of seven hours.

33 High-Voltage Cut-Through Test, Special Rated TV Wire Only

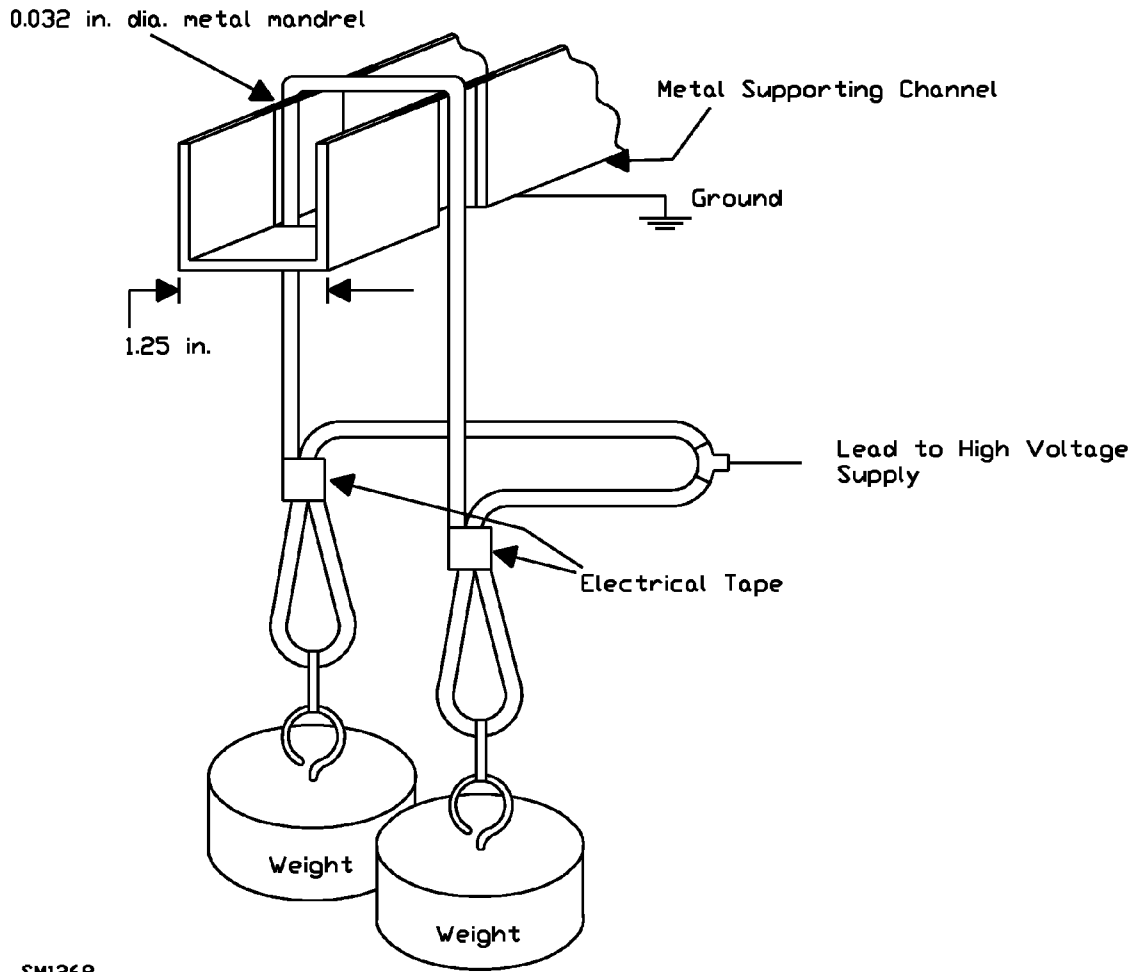
Effective date for 33 changed from July 14, 2005 to January 30, 2001

33.1 Specimens of finished high-voltage DC rated TV use wire are to be tested in accordance with the method described in 33.2 – 33.7. Insulated conductors composed of multiple layers of insulation are to be tested only as a finished cable.

33.2 A specimen of the finished wire at least 12 inches (305 mm) long is to have a weight attached to each end. The weight is to be 1 lbf (4.5 N or 0.45 kgf) for wire sizes 20 AWG or smaller and 2 lbf (8.9 N or 0.91 kgf) for wire sizes 19 AWG or larger. One end of the specimen is to be stripped of insulation so that a dielectric tester test lead is capable of being attached to the specimen's conductor.

33.3 The center portion of the test specimen is to be hung so that it fits snugly over an upturned U-shaped metal channel. The upturned U-shaped metal channel is to be elevated and supported in a horizontal position by a stand or some other equivalent holding device that enables the weights to hang freely on either side of the channel. The upturned edges of the U-shaped channel are to be rounded and have a radius of 0.015 inch (0.38 mm) or have drill rods with a diameter of 0.032 inch (0.8 mm) fastened in place along the upturned edge of the channel. See Figure 33.1.

Figure 33.1
Apparatus for the TV wire high-voltage cut-through test



SM1268

33.4 The wire specimen with the hanging weights positioned over the upturned U-shaped channel is to be placed in a circulating air oven with a temperature the same as the rated temperature of the wire.

33.5 The dielectric tester is to supply a DC test potential that is continuously variable with an output from zero to at least the test voltage of the wire specimen being tested. The output voltage is to be monitored continuously by a voltmeter. The overall accuracy shall not introduce an error greater than five percent. The maximum current output of the tester's transformer is to be enough for testing samples to dielectric breakdown without tripping of the circuit breaker by the charging unit. The test leads of the dielectric tester are to pass through an opening into the circulating air oven or in some other way be connected to the specimen while it is at the specified temperature in the circulating air oven.

33.6 With the sample and upturned U-shaped channel in the oven set at the rated temperature of the wire, the positive test lead of the dielectric tester is to be connected to the conductor of the test specimen as one electrode and the negative test lead is to be connected to the upturned U-shaped metal channel as the other electrode. The channel is to be grounded to the air oven. The voltage is to be increased from zero to 1.5 times the DC voltage rating of the specimen at a rate not exceeding 500 volts per second. When this level is reached without breakdown, the voltage is to be held constant at this level for a period of seven hours and then returned to zero at the same rate.

33.7 Compliance is determined when specimens withstand the test voltage without breakdown for a period of seven hours.

34 Short Term Insulation-Resistance Test in Water at Room Temperature (Wet Rated AWM)

Effective date for 34 changed from July 14, 2005 to January 30, 2001

34.1 The finished insulated conductor (any jacket, shield, and covering removed) shall have an insulation resistance value of greater than 2.5 megohms based on 1000 feet (0.75 megohm based on one kilometer) of conductor. The test is to be conducted in accordance with Insulation-Resistance Test in Water, Section 920 of UL 1581.

35 Long Term Insulation-Resistance Test in Water at Elevated Temperature (Wet Rated AWM)

Effective date for 35 changed from July 14, 2005 to January 30, 2001

35.1 The finished wire that is rated for water resistance shall have an insulation resistance in tap water that is not less than indicated in the applicable formulas specified below at any time during immersion. The tap water is to have a temperature of either $50 \pm 1.0^{\circ}\text{C}$ ($122 \pm 1.8^{\circ}\text{F}$) or $75 \pm 1.0^{\circ}\text{C}$ ($167 \pm 1.8^{\circ}\text{F}$). The period of immersion is:

- a) 12 weeks or more when the insulation resistance throughout the last six weeks of the period is greater than 10 megohms based on 1000 conductor feet (3 megohms based on a conductor kilometer),
- b) 24 – 36 weeks when the insulation resistance is less than 10 megohms based on 1000 conductor feet and more than the value indicated in the applicable formulas below (3 megohms based on a conductor kilometer and more than the value indicated in the applicable formulas).

A sinusoidal rms 50 or 60 Hz potential equal to the voltage rating of the insulation is to be applied at all times other than while readings of insulation resistance are being taken. See 36.4 for the requirement covering the maximum rate of decrease of the insulation resistance.

35.2 For PVC and thermosets, insulation-resistance values are to be calculated by using one of the following formulas, whichever is applicable:

a) (English):

$$IR_{50^{\circ}C} = K_{15.6^{\circ}C} \times 6.63 \times 10^{-4} \times \log_{10} \frac{D}{d}$$

in which:

IR at 50°C (122°F) or 75°C (167°F) is the insulation resistance in megohms based on 1000 conductor feet for wire rated for exposure to water at 60°C (140°F) or 75°C, respectively;

K is the constant for the insulation material at 15.6°C (60.0°F) in megohms based on 1000 conductor feet;

6.63×10^{-4} is the multiplier required for reducing *K* for PVC at 15.6°C (60.0°F) to its value at the test temperature of 50°C (122°F) or 75°C (167°F); or

6.37×10^{-5} is the multiplier required for reducing *K* for the thermoset materials specified at 15.6°C (60°F) to its value at the test temperature specified;

D is the diameter over the insulation in inches; and

d is the diameter of the metal conductor in inches;

b) (Metric)

$$IR_{50^{\circ}C} = K_{15.6^{\circ}C} \times 2.02 \times 10^{-4} \times \log_{10} \frac{D}{d}$$

in which:

IR at 50°C (122°F) or 75°C (167°F) is the insulation resistance in megohms based on a conductor kilometer for wire – rated for exposure to water at 60°C (140°F) or 75°C, respectively;

K is the constant for the insulation material at 15.6°C (60.0°F) in megohms based on 304.8 conductor meters;

2.02×10^{-4} is the multiplier required for reducing *K* for PVC at 15.6°C (60.0°F) to its value at the test temperature of 50.0°C (122.0°F) or 75.0°C (167.0°F); or

1.94×10^{-5} is the multiplier required for reducing K for the thermoset materials specified at 15.6°C (60.0°F) to its value at the test temperature specified;

D is the diameter over the insulation in mm; and

d is the diameter of the metal conductor in mm.

35.3 The extended immersion at $50 \pm 1^{\circ}\text{C}$ ($122 \pm 1.8^{\circ}\text{F}$) or $75 \pm 1^{\circ}\text{C}$ ($167 \pm 1.8^{\circ}\text{F}$) is the accelerated test for wire that is rated for exposure to water at 60°C (140°F) or 75°C . Although these wires are rated for such exposure to water, it is not expected that the wires during service are exposed simultaneously to a temperature of 60°C or 75°C and water for long periods of time.

35.4 For every continuous period of 3 weeks during the latter half of the 12-week or 24 – 36-week immersion, a smooth curve drawn covering the entire immersion period and showing the average of the measured readings of insulation resistance shall not decrease at a rate exceeding:

- a) 4 percent per week when the individual insulation-resistance readings are at least either 10 megohms based on 1000 conductor feet (3 megohms based on a conductor kilometer).
- b) 2 percent per week when the individual insulation-resistance readings are greater than the calculated insulation resistance in accordance with 35.5 but are less than either 10 megohms based on 1000 conductor feet (3 megohms based on a conductor kilometer).

35.5 To determine whether or not the insulation complies with the requirements in this section, finished wire is to be tested according to the following method. The ends of each specimen are to be brought well away from the tank, and the temperature of the water is to be maintained at the specified temperature $\pm 1^{\circ}\text{C}$ ($\pm 1.8^{\circ}\text{F}$). A coil that shows a greater percent decrease in insulation resistance during the extended immersion than specified in 35.4 may be tested for additional 1-week immersion periods and the coil is to be evaluated based on the last 12 weeks of immersion.

35.6 The equipment and procedures used to conduct the insulation-resistance test shall be consistent with the equipment and procedures that are utilized by many manufacturers. However, the means used to achieve those objectives are not specified. A megohm bridge used for this purpose shall:

- a) Be of applicable range and calibration;
- b) Present readings that are accurate to 3 percent or less of full scale; and
- c) Have a 100 – 500-volt or higher open-circuit potential.

35.7 The center 50-foot (20-meter) sections of 55-foot (22-meter) coils of the insulated conductor are to be immersed in tap water at the specified temperature. The water temperature is to be maintained within 1°C (1.8°F) of being constant at any temperature in the range of $10.0 - 26.7^{\circ}\text{C}$ ($50 - 80^{\circ}\text{F}$) for the entire 6-hour or longer immersion period before the measurement of resistance. The ends of each coil are to extend 2.5 feet (1 m) away from the water.

36 Temperature Correction Factor (Wet Rated AWM)

Effective date for 36 changed from July 14, 2005 to January 30, 2001

No Text on This Page

36.1 Two specimens, conveniently of a No. 16 – 20 AWG solid conductor with a wall of insulation whose average thickness is 10 – 15 mils (0.25 – 0.38 mm), are to be chosen as being representative of the insulation under consideration. The specimens are to be of a length [at least 200 ft. (60 m)] that yields insulation-resistance values that are stable within the calibrated range of the measuring instrument at the lowest water-bath temperature.

36.2 The two specimens are to be immersed in a water bath equipped with heating, cooling, and circulating facilities. The ends of the specimens are to extend at least 24 inches (600 mm) above the surface of the water to reduce electrical leakage. The specimens are to be left in the water at room temperature for 16 hours before adjusting the bath temperature to 10°C (50°F) or before transferring the specimens to a 10°C bath.

36.3 The DC resistance of the metal conductor is to be measured at applicable intervals of time until the temperature remains unchanged for at least five minutes. The insulation is to be determined as being at the temperature of the bath as indicated on the bath thermometer.

36.4 Each of the two specimens is to be exposed, in accordance with 36.3, to successive water temperatures of 10, 16.1, 22.2, 27.8, and 35°C (50, 61, 72, 82, and 95°F) and returning, 27.8, 22.2, 16.1, and 10°C (82, 72, 61, and 50°F). Insulation resistance readings are to be taken at each temperature after equilibrium has been established.

36.5 The two sets of readings (four readings in all taken at the same temperature) are to be averaged for the two specimens. These four average values and the average of the single readings at 35°C (95°F) are to be plotted on semilog paper. A continuous curve (usually a straight line) is to be drawn through the five points. The value of insulation resistance at 15.6°C (60°F) is then to be read from the graph.

36.6 The resistivity coefficient – for a 0.55°C (1.0°F) change in temperature – is to be calculated to two decimal places by dividing the insulation resistance at 15.6°C (60.0°F) as read from the graph by the insulation resistance at 16.1°C (61.0°F). The resulting insulation resistance at 15.6°C is then to be adjusted using the value in Table 36.1 corresponding to the calculated resistivity coefficient.

Table 36.1
Multiplying factor M^a for adjusting insulation resistance to 60.0°F (15.6°C)

Temperature °F (°C)		Resistivity coefficient C for 1.0°F (0.55°C)									
		1.03	1.04	1.05	1.06	1.07	1.08	1.09	1.10	1.11	1.12
40	4.4	0.55	0.46	0.38	0.31	0.26	0.22	0.18	0.15	0.12	0.10
41	5.0	0.57	0.48	0.40	0.33	0.28	0.23	0.19	0.16	0.14	0.12
42	5.6	0.59	0.49	0.42	0.35	0.30	0.25	0.21	0.18	0.15	0.13
43	6.1	0.60	0.51	0.44	0.37	0.32	0.27	0.23	0.20	0.17	0.15
44	6.7	0.62	0.53	0.46	0.39	0.34	0.29	0.25	0.22	0.19	0.16
45	7.2	0.64	0.56	0.48	0.42	0.36	0.32	0.28	0.24	0.21	0.18
46	7.8	0.66	0.58	0.50	0.44	0.39	0.34	0.30	0.26	0.23	0.20
47	8.3	0.68	0.60	0.53	0.47	0.42	0.37	0.33	0.29	0.26	0.23
48	8.9	0.70	0.62	0.56	0.50	0.44	0.40	0.36	0.32	0.29	0.26
49	9.4	0.72	0.65	0.59	0.53	0.48	0.42	0.39	0.35	0.32	0.29
50	10.0	0.74	0.68	0.61	0.56	0.51	0.46	0.42	0.39	0.35	0.32
51	10.6	0.77	0.70	0.64	0.59	0.54	0.50	0.46	0.42	0.39	0.36
52	11.1	0.79	0.73	0.68	0.63	0.58	0.54	0.50	0.47	0.43	0.40
53	11.7	0.81	0.76	0.71	0.67	0.62	0.58	0.55	0.51	0.48	0.45
54	12.2	0.84	0.79	0.75	0.70	0.67	0.63	0.60	0.56	0.54	0.51
55	12.8	0.86	0.82	0.78	0.75	0.71	0.68	0.65	0.62	0.59	0.57

Table 36.1 Continued on Next Page

Table 36.1 Continued

Temperature °F (°C)		Resistivity coefficient C for 1.0°F (0.55°C)									
		1.03	1.04	1.05	1.06	1.07	1.08	1.09	1.10	1.11	1.12
56	13.3	0.89	0.86	0.82	0.79	0.76	0.74	0.71	0.68	0.66	0.64
57	13.9	0.92	0.89	0.86	0.84	0.82	0.79	0.77	0.75	0.73	0.71
58	14.4	0.94	0.93	0.91	0.89	0.87	0.86	0.84	0.83	0.81	0.80
59	15.0	0.97	0.95	0.94	0.95	0.94	0.93	0.92	0.91	0.90	0.89
60	15.6	1.00	1.00	1.00	1.00	1.00	1.00	1.00	1.00	1.00	1.00
61	16.1	1.03	1.04	1.05	1.06	1.07	1.08	1.09	1.10	1.11	1.12
62	16.7	1.06	1.08	1.10	1.12	1.14	1.17	1.19	1.21	1.23	1.25
63	17.2	1.09	1.12	1.16	1.19	1.23	1.26	1.30	1.33	1.37	1.40
64	17.8	1.13	1.17	1.22	1.26	1.31	1.36	1.41	1.46	1.52	1.57
65	18.3	1.16	1.22	1.28	1.34	1.40	1.47	1.54	1.61	1.69	1.76
66	18.9	1.19	1.27	1.34	1.42	1.50	1.59	1.68	1.77	1.87	1.97
67	19.4	1.23	1.32	1.41	1.50	1.61	1.71	1.83	1.95	2.08	2.21
68	20.0	1.27	1.37	1.48	1.59	1.72	1.85	1.99	2.14	2.20	2.48
69	20.6	1.30	1.42	1.55	1.69	1.84	2.00	2.17	2.36	2.56	2.77
70	21.1	1.34	1.48	1.63	1.79	1.97	2.16	2.37	2.59	2.84	3.11
71	21.7	1.38	1.54	1.71	1.90	2.10	2.33	2.58	2.85	3.15	3.48
72	22.2	1.43	1.60	1.80	2.01	2.25	2.52	2.81	3.14	3.50	3.90
73	22.8	1.47	1.67	1.89	2.13	2.41	2.72	3.07	3.45	3.88	4.36
74	23.3	1.51	1.73	1.98	2.26	2.58	2.94	3.34	3.80	4.31	4.89
75	23.9	1.56	1.80	2.08	2.40	2.76	3.17	3.64	4.18	4.78	5.47
76	24.4	1.60	1.87	2.18	2.54	2.95	3.43	3.97	4.59	5.31	6.13
77	25.0	1.65	1.95	2.29	2.69	3.16	3.70	4.33	5.05	5.90	6.87
78	25.6	1.70	2.03	2.41	2.85	3.38	4.00	4.72	5.56	6.54	7.69
79	26.1	1.75	2.11	2.53	3.03	3.62	4.32	5.14	6.12	7.26	8.61
80	26.7	1.81	2.19	2.65	3.21	3.87	4.66	5.60	6.73	8.06	9.65
81	27.2	1.86	2.28	2.79	3.40	4.14	5.03	6.11	7.40	8.95	10.8
82	27.8	1.92	2.37	2.93	3.60	4.43	5.44	6.66	8.14	9.93	12.1
83	28.3	1.97	2.46	3.07	3.82	4.74	5.87	7.26	8.95	11.0	13.6
84	28.9	2.03	2.56	3.23	4.05	5.07	6.34	7.91	9.85	12.2	15.2
85	29.4	2.09	2.67	3.39	4.29	5.43	6.85	8.62	10.8	13.6	17.0

^a Calculated from the formula $M = C(t^{60})$
in which
C is determined as described in the Test Procedure for Determining the Multiplying-Factor Column for Adjusting Insulation Resistance, Section 59 of the Standard for Medium-Voltage Power Cables, UL 1072, and
t is the temperature of the cable in °F.

37 Capacitance and Relative Permittivity Tests (Wet Rated AWM)

Effective date for 37 changed from July 14, 2005 to January 30, 2001

37.1 The insulation (jacket, shield, and other coverings removed) on a wire rated for 60°C (140°F) water resistance is to have the following inductive capacity and capacitance values when specimens are tested with 1000 Hz sinusoidal current in tap water in accordance with Capacitance and Relative Permittivity, Section 1020 of UL 1581:

- a) The specific inductive capacity (relative permittivity or dielectric constant) determined after immersion of the specimens for 24 hours shall be 10 or less.
- b) The capacitance determined after immersion for 14 days shall not be more than 10 percent higher than the capacitance after the 24-hour immersion.
- c) The capacitance determined after immersion for 14 days shall not be more than 5 percent higher than the capacitance determined after immersion for 7 days.

37.2 The insulation (jacket, shield, and other coverings removed) on a wire rated for 75°C (167°F) water resistance shall have the following specific inductive capacity and capacitance values when specimens are tested with 1000 Hz sinusoidal current in accordance with Capacitance and Relative Permittivity, Section 1020 of UL 1581:

- a) The specific inductive capacity (relative permittivity or dielectric constant) determined after immersion of the specimens for 24 hours shall be 10 or less.
- b) The capacitance determined after immersion for 14 days shall not be more than 10 percent higher than the capacitance after the 24-hour immersion.
- c) The capacitance determined after immersion for 14 days shall not be more than 5 percent higher than the capacitance determined after immersion for 7 days.

38 Stability Factor (Wet Rated AWM)

Effective date for 38 changed from July 14, 2005 to January 30, 2001

38.1 Specimens of the thermoset insulated wire that are immersed continuously in tap water for 14 days at a temperature of $75 \pm 1^\circ\text{C}$ ($167 \pm 1.8^\circ\text{F}$) for materials rated 75°C, or $90 \pm 1^\circ\text{C}$ ($194 \pm 1.8^\circ\text{F}$) for materials rated 90°C, shall comply with one of the following requirements when tested in accordance with the stability factor test in UL 1581:

- a) The stability factor (the numerical difference between the percentage power factors measured with a 60 Hz current at average stresses of 80 and 40 volts per mil or 3150 and 1575 volts per millimeter) determined after the fourteenth day of immersion shall be 1.0 or less, or
- b) The stability factor determined after the first day subtracted from the stability factor determined after the fourteenth day shall be 0.5 or less.

TESTS FOR FLAME PROPERTIES

39 Horizontal Flame Test for Use Rating I

Effective date for 39 changed from July 14, 2005 to January 30, 2001

39.1 Specimens of the finished insulated conductor and finished cable with the Use Rating I, are to be evaluated in accordance with the Horizontal-Specimen Appliance-Wire Flame Test, Section 1090 of UL 1581.

39.1 revised October 15, 2001

39.2 Flame Rating H applies to the finished wire or cable. Insulated conductors in a finished cable are not determined to be rated H unless specifically noted on the tag markings.

40 Cable Flame Test

40.1 Specimens of the finished cable with the Use Rating II, are to be evaluated in accordance with Cable Flame Test, Section 1061 of UL 1581.

40.1 revised October 15, 2001

40.2 Flame Rating V applies to the finished wire or cable. Insulated conductors in a finished cable are not determined to be rated V.

40.2 revised October 15, 2001

41 VW-1 Flame Test

Effective date for 41 changed from July 14, 2005 to January 30, 2001

41.1 Specimens of the finished insulated conductor and finished cable are to be tested in accordance with VW-1 (Vertical Specimen) Flame Test, Section 1080 of UL 1581.

41.2 Flame Rating VW-1 applies to the complete finished wire or cable. Insulated conductors in a finished cable are not determined to be rated VW-1 unless specifically noted on the tag markings.

42 FT-1 Flame Test

42.1 Specimens of the finished insulated conductor and finished cable are to be tested in accordance with Vertical Flame and FT-1 Tests, Section 1060 of UL 1581.

42.1 revised August 27, 2002

42.2 Flame Rating FT-1 applies to the complete finished wire or cable. Insulated conductors in a finished cable are not determined to be rated FT-1 unless specifically noted on the tag markings.

43 FT-2 Flame Test

43.1 Specimens of the finished insulated conductor and finished cable are to be tested in accordance with Horizontal-Specimen/FT-2 Flame Test, Section 1100 of UL 1581.

43.1 revised August 27, 2002

43.2 Flame Rating FT-2 applies to the complete finished wire or cable. Insulated conductors in a finished cable are not determined to be rated FT-2 unless specifically noted on the tag markings.

MANUFACTURING AND PRODUCTION TESTS

44 Test for Continuity of Conductors

Effective date for 44 changed from July 14, 2005 to January 30, 2001

44.1 Each circuit conductor and grounding conductor shall be continuous throughout the entire length of finished cable. Finished cable is to be tested for continuity of each No. 10 AWG, or smaller conductor by the cable manufacturer at the cable factory. Only those cables where the conductors have undergone further processing after spark testing must undergo this test.

44.2 To determine whether or not a cable is continuous, each of the conductors (one at a time) is to be connected in series with a lamp, buzzer, bell or other indicator and a power supply. A conductor is continuous from end-to-end of the finished cable when the lamp lights, bell or buzzer sounds, or another indicator signal is activated.

44.3 For the factory production continuity testing of a cable, the manufacturer may elect to substitute a continuous eddy-current procedure complying with 44.4 and 44.5 for the test specified in 44.2.

44.4 The eddy-current test arrangement is to include equipment that complies with each of the following:

- a) The equipment is to apply current at one or several frequencies in the range of 1 – 125 kHz to a test coil for the purpose of inducing eddy currents in the conductors moving through the coil at production speed.
- b) The equipment is to detect the variation in impedance of the test coil caused by each break in one or more of the conductors.
- c) The equipment is to provide a visual indication to the operator.

44.5 The longitudinal axis of the cable is to be coincident with the electrical center of the test coil. The cable is to have little or no vibration as it passes through the test coil and is to clear the coil by a distance not greater than 1/2 inch or 13 mm. Variations in the speed of the cable through the test coil are to be limited to plus 50 percent and minus whatever percentage (50 percent maximum) keeps the signal amplitude from falling below the level at which a break can be detected. Separate calibration, balance, and adjustments for sensitivity, maximum signal-to-noise ratio, and maximum rejection of signals indicating gradual variations in diameter and other slow changes are to be made for each size, type of stranding, and conductor material. Calibration without any cable in the test coil is to be made at least daily to check whether the equipment is functioning. The temperature along the length of the cable being tested may vary from the temperature at which the equipment was calibrated, and so forth, for that size, type of stranding, and conductor material provided that the variations are gradual without hot or cold spots that cause false signals.

45 Spark Test

Effective date for 45 changed from July 14, 2005 to January 30, 2001

45.1 The spark test shall be performed by the manufacturer as a routine test at the factory on 100 percent of the finished wire in accordance with the Spark Test, Section 900, and Spark Tests for Power-Limited Circuit Cable and for Cable for Power-Limited Fire-Alarm Circuits, Section 910 of UL 1581, and the method described in 45.2 at the potential indicated in Table 45.1. Insulated conductors or the insulated conductors of a jacketed cable shall be tested. In the case of a jacketed cable, the insulated conductors shall be tested prior to the application of the overall jacket or covering.

45.1 revised October 15, 2001

45.2 The spark test shall be performed at a point in the production operation just prior to the wire being cut into shipping lengths. Wires that have been spark tested are not required to be retested after any of the following operations:

- a) Cutting into lengths shorter than 200 feet (60 m).
- b) Stripping with a stripping material evaluated for this particular use.
- c) Coating with a coating material evaluated for this particular use.

45.3 Any faults shall be cut out or repaired. The insulation at points of repair shall be resparked. For 30-volt rated wire only, an insulated conductor that averages one fault maximum per 3000 feet (915 m) in any reel length of single insulated conductor complies with the intent of this requirement.

Table 45.1
Spark test potentials

Table 45.1 revised October 15, 2001

Voltage rating	AWG sizes	Spark test potential
30 V AC	All	500 V AC
60 V AC	All	750 V AC
90 V AC	All	1000 V AC
125 V AC	All	1500 V AC
150 V AC	All	1500 V AC
250 V AC	All	2000 V AC
300 V AC ^a	All (less than 15 mils of insulation)	2500 V AC
300 V AC ^a	19 and smaller	4000 V AC
300 V AC ^a	18 and larger	5000 V AC
600 ^a , 1000 V AC	24 and smaller	4000 V AC
600 ^a , 1000 V AC	23 – 20	5000 V AC
600 ^a , 1000 V AC	19 – 16	6000 V AC
600 ^a , 1000 V AC	14 – 9	7500 V AC
600 ^a , 1000 V AC	8 – 2	10,000 V AC
600 ^a , 1000 V AC	1 – 4/0	12,500 V AC
600 ^a , 1000 V AC	2135 – 500 kcmil	15,000 V AC
600 ^a , 1000 V AC	501 – 2000 kcmil	17,500 V AC
2000 – 5000 V AC	All ^b	10,000 V AC
7500 V AC	All ^b	15,000 V AC
10,000 V AC	All ^b	20,000 V AC
15,000 V AC	All ^b	30,000 V AC
3 kV DC	All	7.5 kV DC or 3 kV AC

Table 45.1 Continued on Next Page

Table 45.1 Continued

Voltage rating	AWG sizes	Spark test potential
5 kV DC	All	12.5 kV DC or 5 kV AC
6 kV DC	All	15 kV DC or 6 kV AC
10 kV DC	All	25 kV DC or 10 kV AC
15 kV DC	All	37.5 kV DC or 12.5 kV AC
20 kV DC	All	50 kV DC or 15 kV AC
25 kV DC	All	62.5 kV DC or 17.5 kV AC
30 kV DC	All	75 kV DC or 20 kV AC
35 kV DC	All	87.5 kV DC or 22.5 kV AC
40 kV DC	All	100 kV DC or 25 kV AC
50 kV DC	All	125 kV DC or 30 kV AC
60 kV DC	All	150 kV DC or 35 kV AC

^a 300 V wires complying with Table 3.4 shall be spark tested at 1500 V. 600 V wires complying with Table 3.4 shall be spark tested at 2000 V.

^b Wires rated above 1000 V are only recognized in 10 AWG or smaller.

MARKINGS

46 Surface Marking of AWM

46 effective July 14, 2005

46.1 Surface marking is not required for appliance wiring material.

46.2 When surface marking referencing "AWM" is used, the marking shall contain the following elements:

- a) Wire/cable designation: "AWM."
- b) Deleted
- c) Name of the organization responsible for the AWM, trade name, other applicable mark, or file number. When the organization responsible for the AWM produces AWM in more than one location, an additional distinctive marking shall be provided that identifies the specific manufacturing location of the AWM.

Other markings such as wire size, number of conductors, and similar data, are determined to be in compliance with this requirement when they are not confusing or misleading.

Revised 46.2 effective July 14, 2005

46.3 For a cable that contains a conductive polymeric shield, the shield shall be black in color, and the surface of the jacket or marker tape shall be marked "Black Material is Conductive Shield," "Contains Black Polymeric Conductive Shield," or equivalent.

47 Markings on Tag, Reel, or Carton

47 effective July 14, 2005

47.1 Markings on the tag, reel, or carton are required for appliance wiring material (AWM). The markings shall be present on the smallest shipping unit of AWM. For AWM that is respooled from a single reel or spool to several smaller reels or spools, the tag information shall be duplicated and accompany the respooled wires on the smallest shipping unit.

47.2 Markings on the tag, reel, or carton shall contain the following elements:

- a) Wire/cable designation: "AWM."
- b) Statement that describes the intended use of the AWM [location of the wire (internal or external), the equipment in which the wire is intended to be used, and conditions to which the wire is exposed (i.e. gasoline, oil, gas vapor)], the temperature rating, and the minimum voltage rating of any insulated conductor used in the cable.
- c) Name of the organization responsible for the AWM, trade name, other applicable mark or file number. When the organization responsible for the AWM produces AWM in more than one location, an additional distinctive marking shall be provided that identifies the specific manufacturing location of the AWM.
- d) Size and quantity of conductors. The quantity and "AWG" or metric size in mm^2 of the conductors in a wire or cable shall be provided. Single conductor cables do not require the quantity of conductors. For a cable containing a mixture of sizes of individual or paired conductors, the size and quantity of each size conductor shall be provided (Example: 2/18 AWG and 4/24 AWG).

e) Conductor material.

Exception: Conductor material marking is not required for unalloyed copper.

f) The conductivity of the conductor in percent of unalloyed copper. Reference IACS (International Annealed Copper Standard).

Exception: Not applicable for unalloyed copper or 61 percent IACS aluminum.

g) Insulation and jacket material and average wall thickness (example: Insulation SRPVC 0.009 inch; Jacket: PVC 0.030 inch). If more than one jacket is required, all materials and thicknesses shall be marked.

h) The applicable special ratings or intended applications specified in Tables 3.1 and 3.2.

i) Date of manufacture by month and year. As an option, the date code may be printed on the cable.

j) For a cable that contains one or more optical fibers, the following statement or equivalent:

"Optical-fiber portion(s) of cable are for installation as described in Article 770 and other applicable parts of the National Electrical Code, NFPA 70. Where optical fiber is installed in a laser system, the system shall comply with the LIA/ANSI Z136 laser system safety standards."

k) For a cable that contains one or more optical fiber members, or group of such members, having a metal or other electrically conductive part, the following statement or equivalent:

"Optical-fiber portion(s) of cable contain non-current-carrying metal or other electrically conductive parts."

l) For a cable that contains a conductive polymeric shield, the shield shall be black in color, and the following wording or equivalent shall be included on the tag: "Black material is conductive shield" or "Contains Black Polymeric Conductive Shield."

m) *Deleted*

In addition to the markings noted above, a cable that contains other markings complies with the intent of this requirement as long as they are not confusing or misleading.

Revised 47.2 effective July 14, 2005

48 Multiple Markings

48 effective July 14, 2005

48.1 In addition to complying with the requirements for one of the cable types in these requirements, a cable may comply with the requirements for one or more of the following:

- a) One or more of the types described in the National Electrical Code (NEC) (example: Type CM communications cable, Type SJT flexible cord, Type MTW machine tool wire).
- b) One or more of the Canadian wire types (example: Type TR-64 radio lead wire, Type TEW equipment wire, etc.) for Canadian Electrical Code (CEC) types.
- c) One or more of the European wire types (example: HO5VV-F cord).
- d) One or more of the Military Specification (Mil Spec) wire designations (example: RG-59/U coaxial cable).

48.2 A cable that complies with the multiple requirements as specified in 48.1 may be constructed so the identifiers for the additional wire types, as well as the voltage, temperature, and other required associated designations, are marked on the surface and tag, reel, or carton of the product. The sequence of the markings is not specified; however, each rating and associated designation:

- a) Shall be clearly tied to the specific cable type to which it applies.
- b) Shall be clearly separated from all of the other cables types and varieties indicated.

48.3 On a cable surface marking, the types and varieties and their associated designations shall be separated from one another by the word "or," a long dash, or a minimum 1/4 inch wide space.

Revised 48.3 effective July 14, 2005

48.4 On a cable tag, reel, or carton marking, types and varieties and their associated designations shall be separated from one another by being placed in separate statements. Each statement shall end in a period and shall appear together with its applicable designations.

Revised 48.4 effective July 14, 2005

Subject 758

1655 Scott Blvd.
Santa Clara, CA 95050
February 15, 2001

**TO: Industry Representatives on the Technical Advisory Panel of UL for Appliance Wiring Material,
Electrical Council of Underwriters Laboratories Inc.,
Subscribers to UL's Recognition Service for Appliance Wiring Material,
Subscribers to UL's Standards Service for Appliance Wiring Material**

SUBJECT: UL's Style Pages for Appliance Wiring Material and the Standard for Appliance Wiring Material, UL 758

UL announces the development of a guide, presented in this bulletin, that is intended to inform manufacturers of Recognized Component Appliance Wiring Material (AWM) of how to use the information from UL's Style Pages to determine which tests from the Standard for Appliance Wiring Material, UL 758, are applicable to their products.

This guide is intended to enable manufacturers of Recognized Component AWM and other users of UL 758 to interpret the coding system for AWM described in Section 3 of the standard to determine the appropriate requirements for their AWM with a minimal degree of difficulty.

FOR RECOGNIZED AWM STYLES:

1. Identify the overall construction (i.e. single- or multiple-conductor, integral or non-integral insulation) of your Recognized AWM as specified in the AWM Style Page for that product. Review the titles for Tables 3.3 – 3.8 of UL 758, determine which title most closely reflects the overall construction of your product, and select the most appropriate table for your product. Tables 3.3 – 3.8 includes a list of required tests for the AWM. Those tables also specify the appropriate construction requirements from UL 758 for AWM.
2. Identify the insulation thickness provided with the AWM Style Page for your Recognized AWM. Review the titles for Tables 7.4 – 7.6 of UL 758, determine which title most closely reflects the insulation provided with your AWM, and select the appropriate table for your product. Compare the insulation wall thickness of your AWM with the requirements provided in that table. If the wall thickness of the insulation is less than the minimum thickness specified in Table 7.4, 7.5, or 7.6, the product will need to be subjected to the Crush Resistance Test (Mechanical Abuse Rating B) described in Section 26 of UL 758. If the wall thickness is greater than or equal to the minimum thickness specified in Table 7.4, 7.5, or 7.6, the product will not need to be subjected to the Crush Resistance Test (Mechanical Abuse Rating B).
3. Review the use statement that appears in the AWM Style Page of your product. If the use statement does not include the phrase "...where not subject to mechanical abuse" or "For further processing..." the AWM will need to be subjected to the Crush Resistance Test (Mechanical Abuse Rating B) specified in the preceding item 2. If the use statement does include the phrase "...where not subject to mechanical abuse" or "For further processing..." the AWM will not need to be subjected to the Crush Resistance Test (Mechanical Abuse Rating B).

4. Review the Style Page for your AWM to determine if the product was Recognized for internal or external use. If the AWM is Recognized for internal use, the product will need to be subjected to either the Horizontal Flame Test for Use Rating I or the FT-2 Flame Test described in Sections 39 and 43, respectively, of UL 758, depending on the intended use of the product. Internal wiring may also be subjected to the VW-1 Flame Test described in Section 41 of UL 758, depending on the intended use of the product. If your AWM is Recognized for external use, the product will need to be subjected to either the Vertical Flame Test for Use Rating II or the FT-1 Flame Test described in Sections 40 and 42, respectively, of UL 758. External wiring may also be subjected to the VW-1 Flame Test, Section 41, depending on the intended use of the product.

FOR NEW AWM STYLES:

1. Perform the tasks specified in item 1 of the section titled "FOR RECOGNIZED AWM STYLES."
2. Review the proposed use statement provided with your AWM, or identify the proposed use of your wire. If the use statement indicates the product is internal wiring and does not include the phrase "...where not subject to mechanical abuse" or "For further processing..." please follow the steps specified in item a). If the use statement indicates that your AWM is external wiring, please follow the steps specified in item b).
 - a) Identify the minimum insulation wall thickness of your AWM. Review the titles for Tables 7.4 – 7.6 of UL 758, determine which title most closely reflects the insulation provided with your AWM, and select the appropriate table for your product. Compare the insulation wall thickness of your AWM with the requirements provided in that table. If the wall thickness of the insulation is less than the minimum thickness specified in Table 7.4, 7.5, or 7.6, the product will need to be subjected to the Crush Resistance Test (Mechanical Abuse Rating B) described in Section 26 of UL 758. If the wall thickness of the insulation is greater than or equal to the minimum thickness specified in Table 7.4, 7.5, or 7.6, the product will not need to be subjected to the Crush Resistance Test (Mechanical Abuse Rating B).
 - b) Identify the minimum jacket thickness of your AWM. Review the titles for Tables 13.1 – 13.3 of UL 758, determine which title most closely reflects the insulation provided with your AWM, and select the appropriate table for your product. Compare the jacket thickness of your AWM with the requirements provided in that table. The wall thickness of the jacket for the AWM is to be greater than or equal to the minimum thickness specified in Table 13.1, 13.2, or 13.3. The AWM will need to be subjected to either the Vertical Flame Test for Use Rating II, VW-1 Flame Test, or the FT-1 Flame Test described in Sections 40, 41, and 42, respectively, of UL 758. If your AWM does not comply with the requirements specified in this item, the product will need to be identified as internal wiring instead of external wiring in its use statement.

This bulletin should be kept with your copy of the standard.

Questions regarding interpretation of requirements should be directed to the responsible UL Staff. Please see Appendix A of this bulletin regarding designated responsibility for the subject product category.

UNDERWRITERS LABORATORIES INC.

DERRICK L. C. MARTIN (Ext. 32565)
Engineering Associate
Standards Department
Email: Derrick.L.Martin@us.ul.com

SR: EE

bul-758.1_20001208

REVIEWED BY:

SUSAN L. STENE (Ext. 32948)
Engineering Group Leader
Conformity Assessment Services 3015WSCL
Email: Susan.L.Stene@us.ul.com

APPENDIX A**DESIGNATED RESPONSIBILITY FOR UL PRODUCT CATEGORY****AVLV2, COMPONENT APPLIANCE WIRING MATERIAL**

The individuals shown in the following table are involved with the investigation of products covered under the subject category. The Primary Designated Engineer (shown in UPPERCASE letters) coordinates the establishment and uniform interpretation of UL requirements applicable to the product category. The Designated Engineers (shown in lowercase letters) work with the Primary Designated Engineer to interpret requirements and maintain standards.

Should you have questions regarding the interpretation of the requirements proposed in this bulletin or any adopted requirements that affect your product, you are encouraged to contact the individual at the office to which you normally submit your products.

The Technical Advisory Panel (TAP) Chairman for the subject category is Bob Schlegel at UL's Melville office. The TAP Chairman oversees the significant interpretations made by the Primary Designated Engineer and arbitrates any differences regarding interpretation of UL requirements.

CCN	Office/Subsidiary	Responsible Engineer	Extension/Phone Number
AVLV2	Camas	Roger Herb	55657
	Melville	Tom Cybula	22540
	Santa Clara	SUSAN STENE	32948
	Brazil	C. Zoboli	55-11-3049-8300
	DEMKO	Lizet Mandriota	45-44-85-6565
	Hong Kong	C. K. Wong	852-2695-9599
	India	K. Y. Rajaram	91-80-558-1773
	Mexico	E. Del Muro	52-5-294-7660